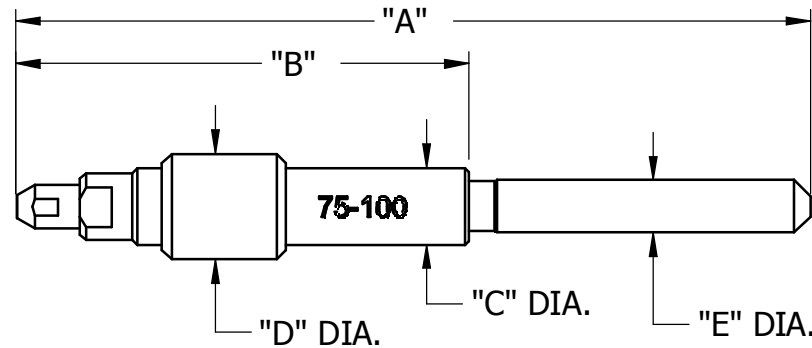
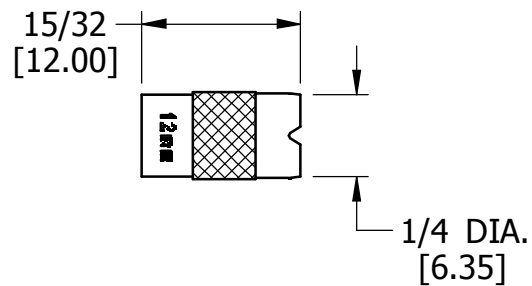
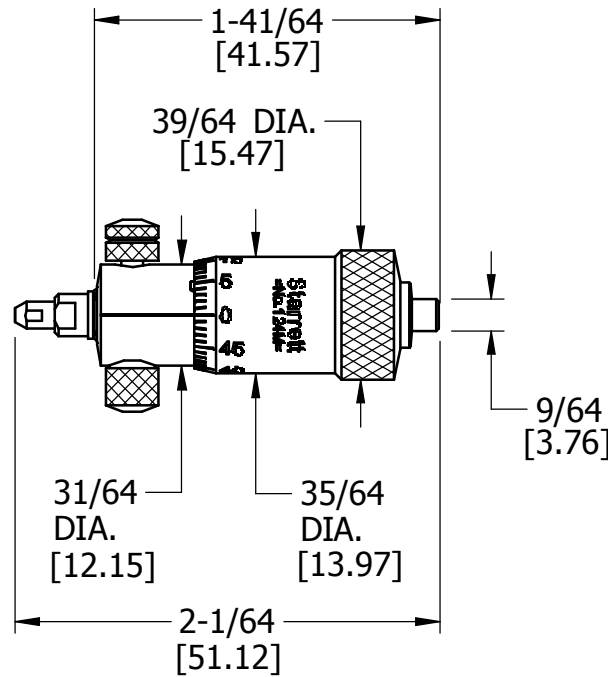
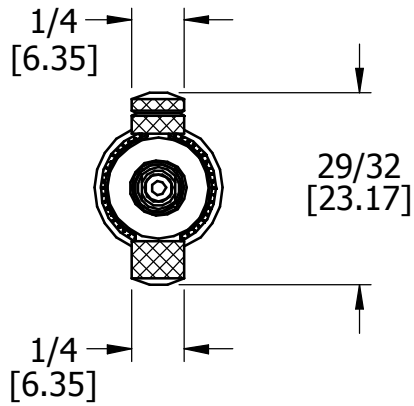


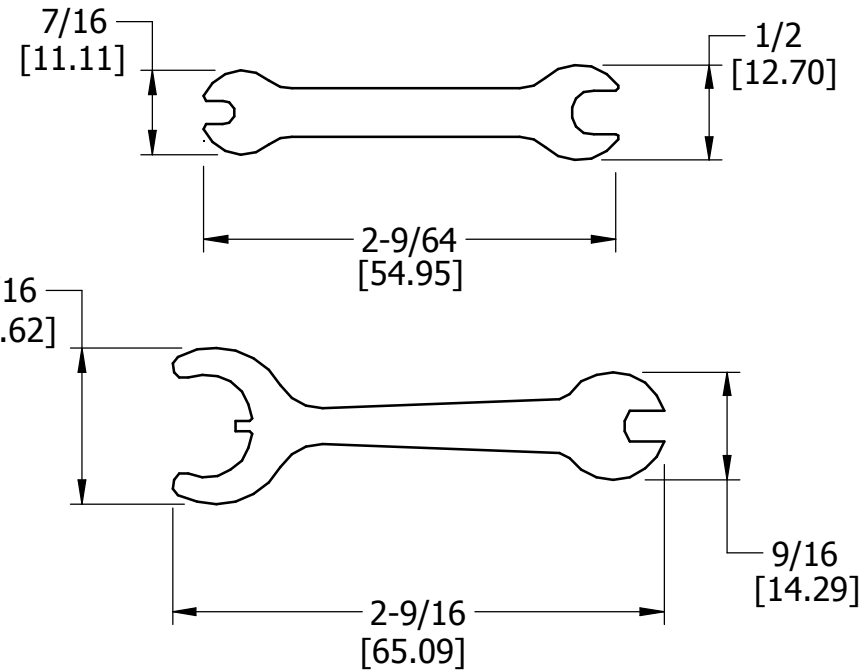
OPER

TOOLS



RODS (DIMS IN mm)

SIZE	DIM"A"	DIM"B"	DIM"C"	DIM"D"	DIM"E"
50-75mm	34.53	8.73	5.95	7.94	3.97
75-100mm	59.93	34.13	5.95	7.94	3.97
100-125mm	85.33	59.53	5.95	7.94	3.97
125-150mm	110.73	84.93	5.95	7.94	3.97
150-175mm	136.13	110.33	5.95	7.94	3.97
175-200mm	161.53	135.73	5.95	7.94	3.97



FRACTIONAL TOLERANCE +- 1/64 UNLESS OTHERWISE NOTED

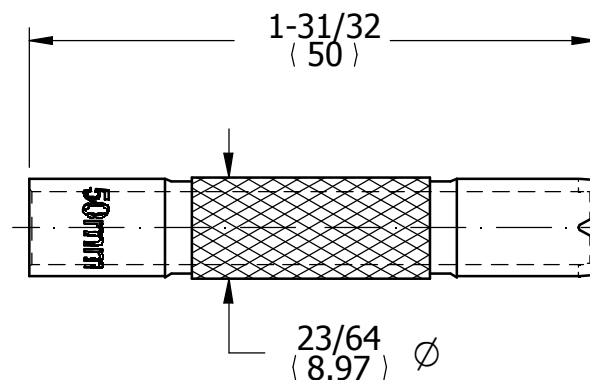
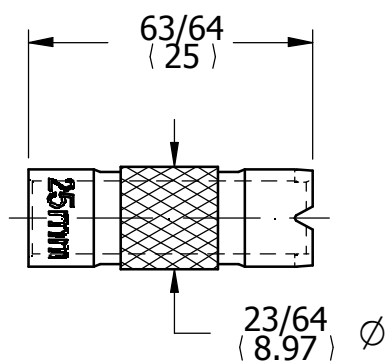
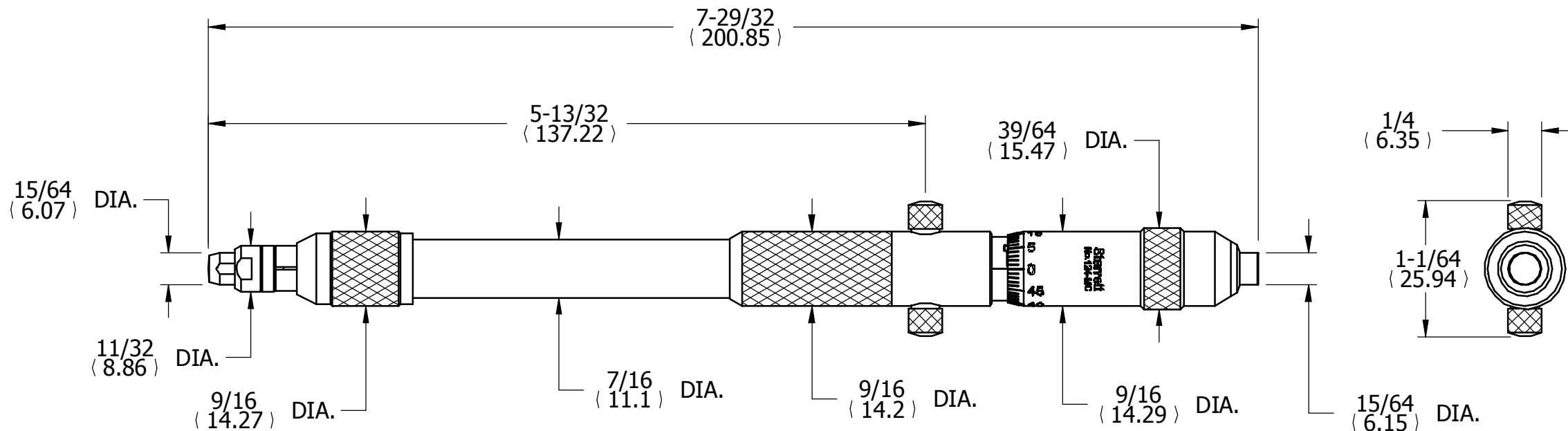
REV	DESCRIPTION	DATE	BY
DR	WRB	CHK	DATE 8-24-62

INSIDE MICROMETER
METRIC ASSEMBLY

THE L.S. STARRETT CO.
ATHOL, MASS.

OPER

TOOLS



REV	DESCRIPTION	DATE	BY
DR	WRB	CHK	DATE

INSIDE MICROMETER
METRIC ASSEMBLY

THE L.S. STARRETT CO.
ATHOL, MASS.

FRACTIONAL TOLERANCE +- 1/64 UNLESS OTHERWISE NOTED

CAT NO

124MDZ

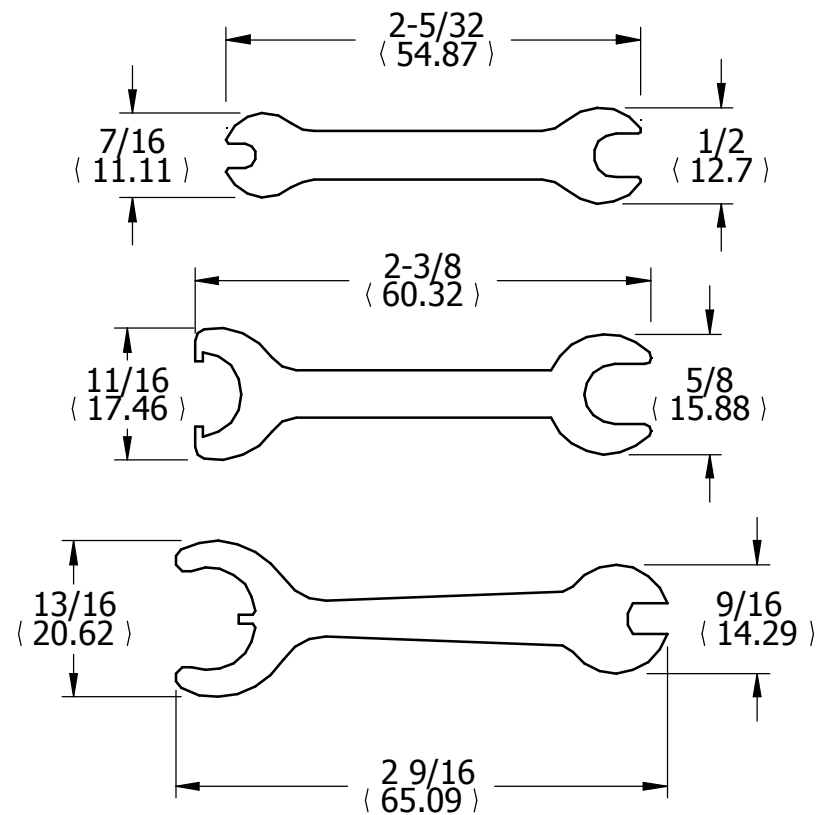
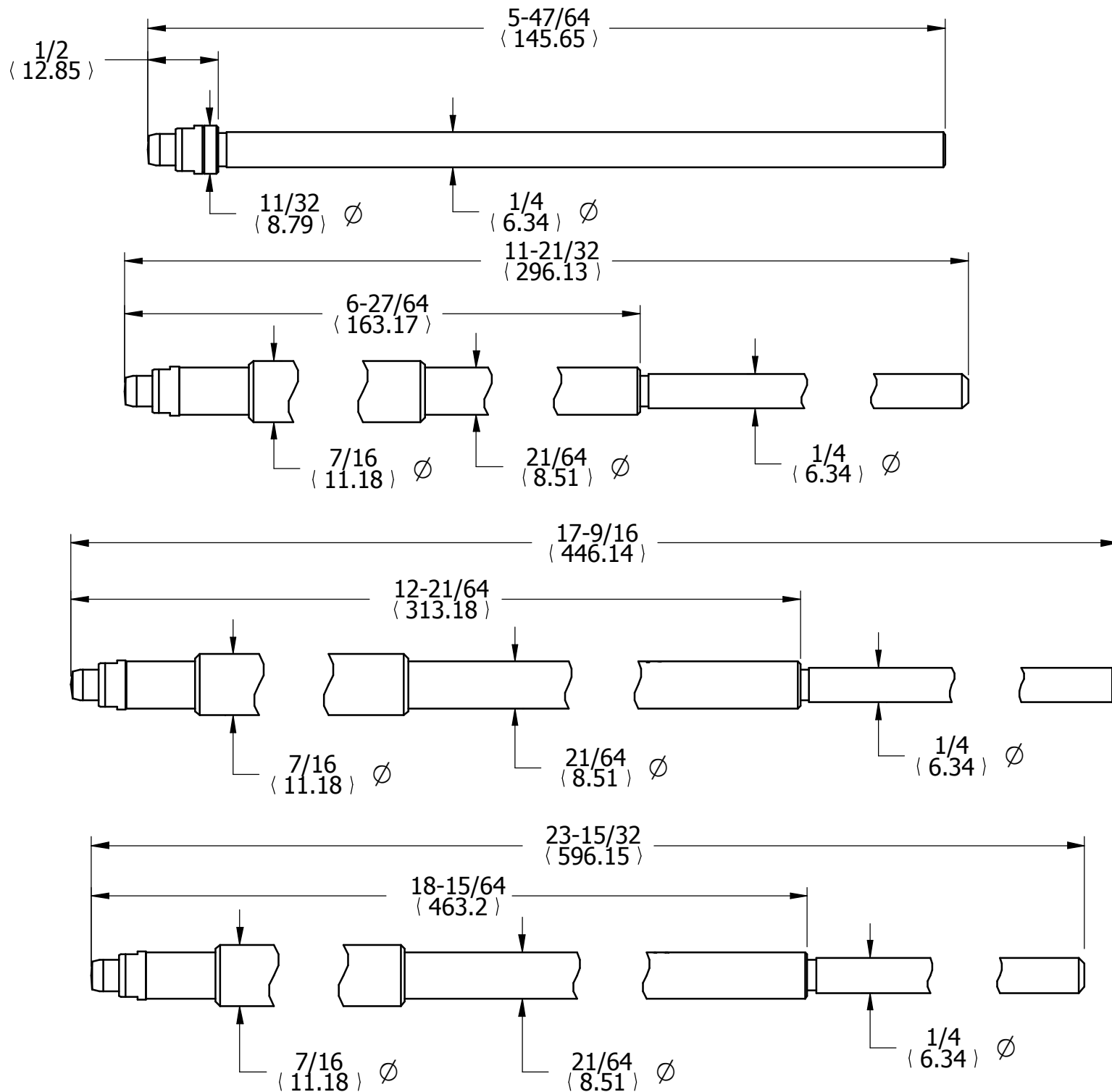
CUSTOMER DIMENSIONS

DO NOT
SEPARATE
PRINT FROM
WORK

LOT NO

OPER

TOOLS



REV	DESCRIPTION	DATE	BY
DR	WRB	CHK	DATE

**INSIDE MICROMETER
METRIC ASSEMBLY**

**THE L.S. STARRETT CO.
ATHOL, MASS.**

FRACTIONAL TOLERANCE +- 1/64 UNLESS OTHERWISE NOTED