

unidirectional pump - series XV

XV-1P

STANDARD EUROPEAN PUMP
 ø25.4 FLANGE - TAPER SHAFT



X 1 P 25 02 F B B A

Series	X	series XV
Group	1	group 1
Category	P	unidirectional pump
Displacement	25	3.8
Flange	02	Ø25.4 STANDARD EUROPEAN right rotation
Shaft	F	CO001 - Tapered 1:8 - ø10 - M7x1 - key thk.2.4
Body	IN	B inlet - 3/8" GAS
	OUT	B outlet - 3/8" GAS
Cover	A	standard



Reference **XP105**

Technical data table

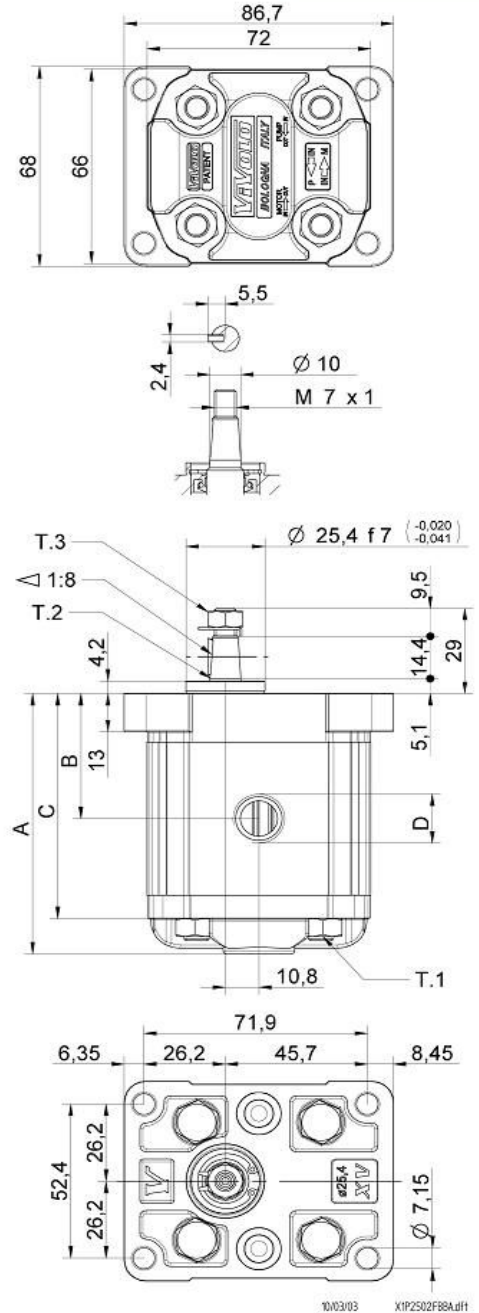
TYPE	Displacement cm3/rev	Max. Pressure		CODE			
		P1 bar	P3 bar	Left rotation		Right rotation	
				IN	OUT	IN	OUT
XV-1P/0.9	0,91	240	280	X 1 P 16 01	F B B A	X 1 P 16 02	F B B A
XV-1P/1.2	1,17	250	290	X 1 P 17 01	F B B A	X 1 P 17 02	F B B A
XV-1P/1.7	1,56	250	290	X 1 P 18 01	F B B A	X 1 P 18 02	F B B A
XV-1P/2.2	2,08	250	290	X 1 P 20 01	F B B A	X 1 P 20 02	F B B A
XV-1P/2.6	2,60	250	300	X 1 P 21 01	F B B A	X 1 P 21 02	F B B A
XV-1P/3.2	3,12	250	300	X 1 P 23 01	F B B A	X 1 P 23 02	F B B A
XV-1P/3.8	3,64	250	300	X 1 P 25 01	F B B A	X 1 P 25 02	F B B A
XV-1P/4.3	4,16	250	300	X 1 P 27 01	F B B A	X 1 P 27 02	F B B A
XV-1P/4.9	4,94	250	300	X 1 P 29 01	F B B A	X 1 P 29 02	F B B A
XV-1P/5.9	5,85	250	300	X 1 P 31 01	F B B A	X 1 P 31 02	F B B A
XV-1P/6.5	6,50	250	300	X 1 P 32 01	F B B A	X 1 P 32 02	F B B A
XV-1P/7.8	7,54	220	260	X 1 P 34 01	F B B A	X 1 P 34 02	F B B A
XV-1P/9.8	9,88	190	230	X 1 P 36 01	F B B A	X 1 P 36 02	F B B A

P1) Max. working pressure - P3) Max. peak pressure

For heavy-duty applications, it is recommended to check the admissible torque of the shaft

Dimensions table

TYPE	Weight kg	A	B	C	D	
		mm	mm	mm	IN	OUT
XV-1P/0.9	0,950	78,1	37,3	66,1	3/8" BSPP	3/8" BSPP
XV-1P/1.2	0,970	79,0	37,8	67,0	3/8" BSPP	3/8" BSPP
XV-1P/1.7	1,010	80,5	38,5	68,5	3/8" BSPP	3/8" BSPP
XV-1P/2.2	1,030	82,5	39,5	70,5	3/8" BSPP	3/8" BSPP
XV-1P/2.6	1,060	84,5	40,5	72,5	3/8" BSPP	3/8" BSPP
XV-1P/3.2	1,090	86,5	41,5	74,5	3/8" BSPP	3/8" BSPP
XV-1P/3.8	1,120	88,5	42,5	76,5	3/8" BSPP	3/8" BSPP
XV-1P/4.3	1,170	90,5	43,5	78,5	3/8" BSPP	3/8" BSPP
XV-1P/4.9	1,200	93,5	45,0	81,5	3/8" BSPP	3/8" BSPP
XV-1P/5.9	1,260	97,0	46,8	85,0	3/8" BSPP	3/8" BSPP
XV-1P/6.5	1,300	98,5	48,0	86,5	3/8" BSPP	3/8" BSPP
XV-1P/7.8	1,360	103,5	50,0	91,5	3/8" BSPP	3/8" BSPP
XV-1P/9.8	1,500	112,5	54,5	100,5	3/8" BSPP	3/8" BSPP

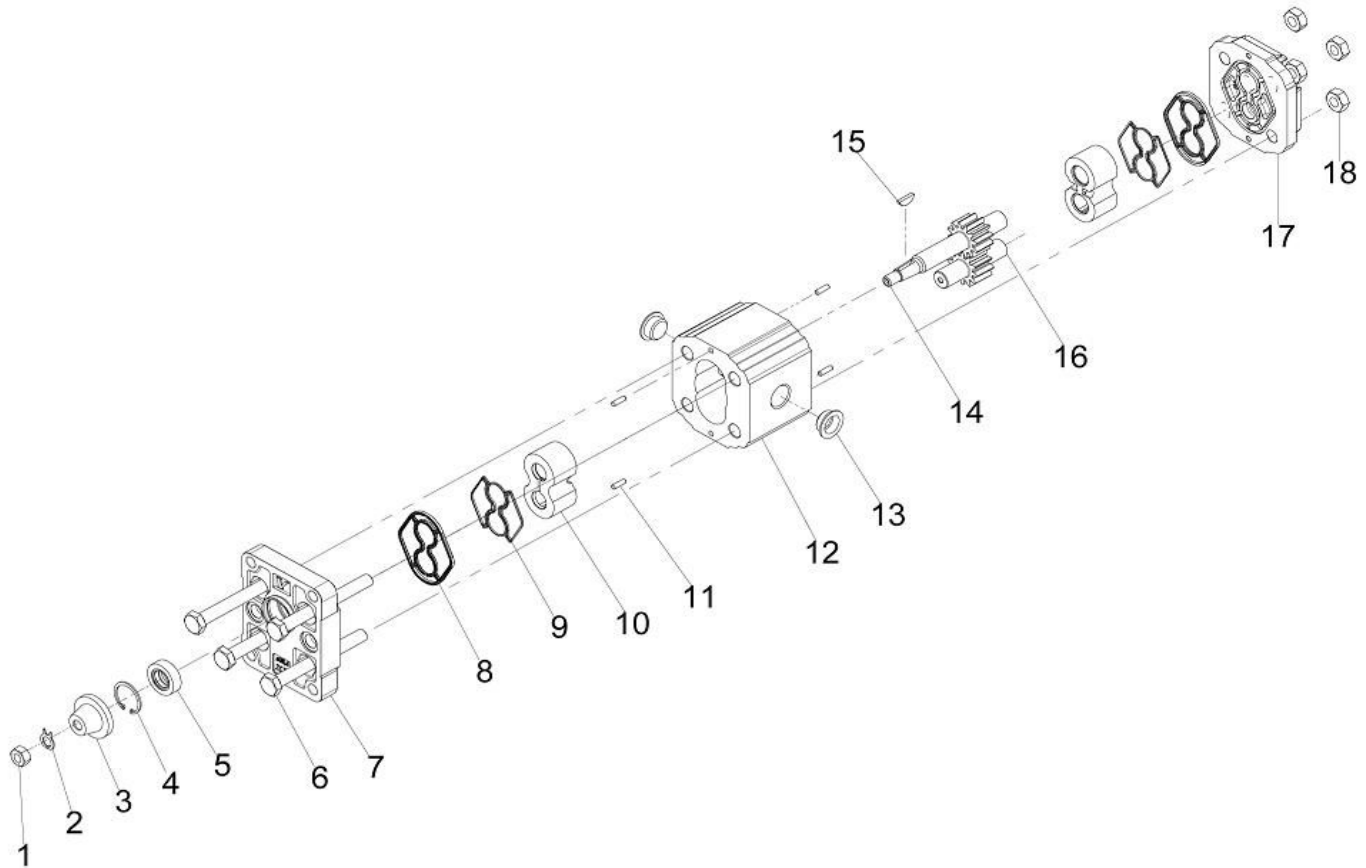


T.1 = 24.5+29.4 [Nm] - screw tightening torque M8

T.3 = 11.5 [Nm] - torque wrench setting 11

T.2 = 43 [Nm] - admissible shaft torque (N.B. When choosing a shaft, always check the admissible torque).

Example of ordering code:

X1P2502FBBA XV1P/3.8 - ø25.4 /D - CO001 - 3/8" BSP - 3/8" BSP - .


Basic list				
Pos.	Item description	Item	Size	Quantity
1	WHITE GALVANISED NUT M7x1 H=5.5 CH=11 UNI 5588	540.0035.A	0	1
2	TAB WASHER ø7.25xø11	100.0175.A	0	1
3	KEY PROTECTION XV1	590.0005.A	0	1
4	ø22 INTERNAL SNAP RING DIN 472	560.0010.A	0	1
5	OIL SEAL 12 x 22 x 6/6.5 TCV (BAB SL)	690.0020.A	0	1
6	WHITE GALVANISED SCREW TE M8x75 UNI 5737 8.8	531.0008.A	L075	4
7	XV1 ø25,4 FLANGE	100.0270.A	0	1
8	INJECTION-MOLDED SEAL XV1 (NBR 70+75 SH)	100.0247.C	0	2
9	XV1 BACK-UP ELEMENT FOR BALANCING	100.0248.A	0	2
10	XV1 BUSH H=19	100.0501.A	0	2
11	PIN ø3x9,8	570.0005.A	0	4
12	BODY W/THREAD 3/8" - 3/8" BSP - cc=3,8	100.0067.A	H52	1
13	PLASTIC PLUG ø15,5	580.0001.A	D15,5	2
14	CO001 - TAPERED 1+8 DRIVING GEAR	100.0035.A	CC3,8	1
15	WOODRUFF KEY ø13x2,4 H=5	100.0170.A	0	1
16	COND2 - PERFORATED DRIVEN GEAR	100.0023.A	CC3,8	1
17	STANDARD XV1 COVER	100.0268.A	0	1
18	WHITE GALVANISED NUT M8 H=6 UNI 5588	540.0040.A	0	4