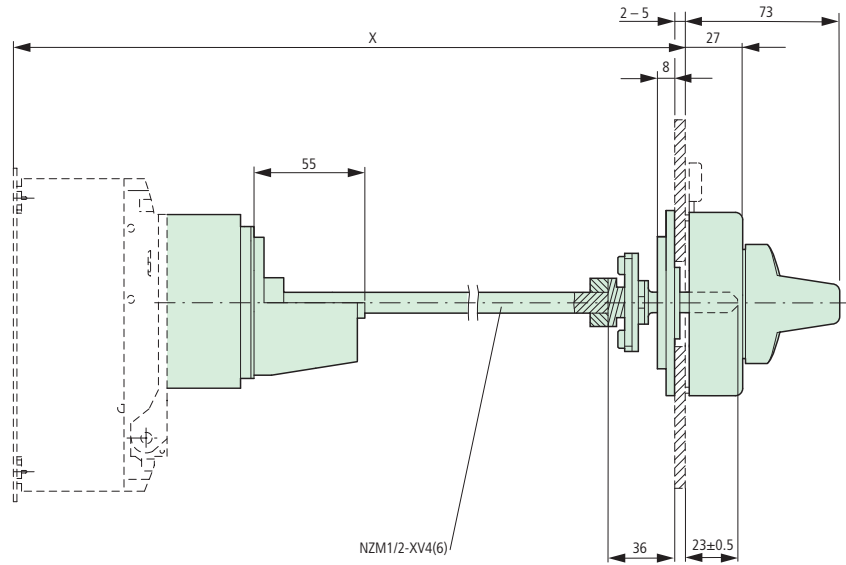
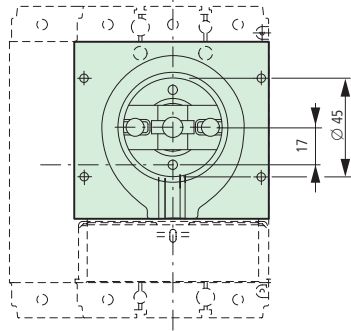


Door coupling rotary handle with extension shaft

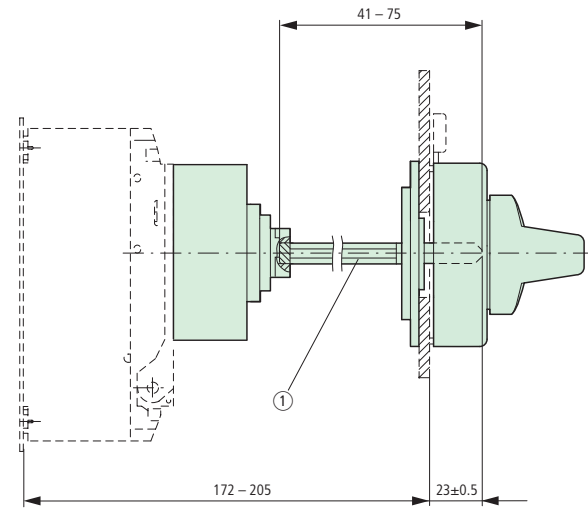
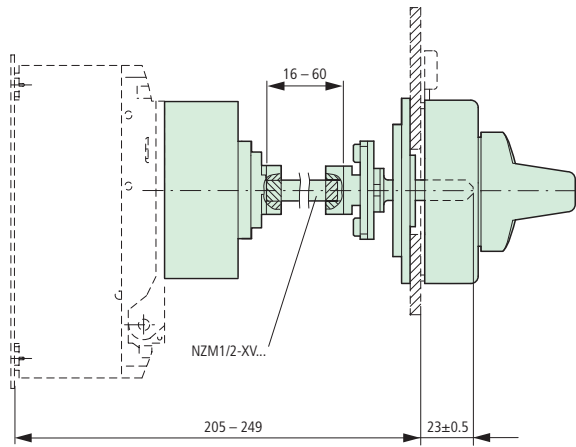
NZM2-XT(V)D(V)(R)(-NA)  
NZM1/2-XV4(6)

	x
NZM1/2-XV4	245 – 400
NZM1/2-XV6	400 – 600



NZM2-XT(V)D(V)(R)(-60(-NA)

NZM2-XT(V)D(V)(R)(-0(-NA)



① Special tip

Minimum door coupling rotary handle clearance from door pivot point

