

### Features

- Highly visible dome indicator
- Dual limit switches for remote valve position confirmation
- ISO F03/F05 mounting
- Weatherproof Type 4, 4X and IP67 construction
- Polyester powder coated aluminum housing
- Stainless steel bracket and hardware
- Fits F03/F05 Valworx brand valves with 9mm & 11mm square stems
- Manual Limit Switch may work with other brands with ISO mounting
- Lockout/tagout Stainless Steel hand lever with latch locking tab
- Mounting bracket featuring wall mounting holes
- Assembled with hand tools - no machining/tapping required

### Applications

Valve position indicators are rotary position devices used for both local and remote indication of valve position. The manual limit switch allows the same valve position indication as an actuated valve.

Not suitable for marine environments.

### Specifications

**Enclosure Rating:** Weatherproof Type 4, 4X and IP67

**Operating Temperature:** -4 to 185° F (-20 to 85° C)

**Visual Indicator:** Open-Closed multi-angle top and side view (yellow/red)

**Limit Switches:** (2) SPDT mechanical 5A 125-250 VAC, UL rated

**Electrical Connection:** (2) 1/2" female conduit (NPT)

**Terminal Strip:** (8) Rugged screw terminals

**Mounting Hardware:** Fits F03 & F05 9mm & 11 stem Valworx Valves

**Approvals:** CSA C/US, CE (approvals for limit switch only)

### Construction

<b>Enclosure</b>	Aluminum with polyester powder coating
<b>Indicator Cover</b>	Polycarbonate
<b>Output Shaft</b>	Stainless steel (Namur)
<b>Seals</b>	NBR
<b>Adjustable Cams</b>	Polycarbonate
<b>Mounting Hardware</b>	Stainless steel



### Operation

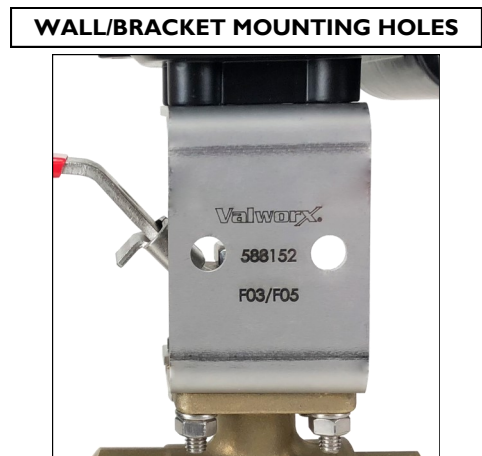
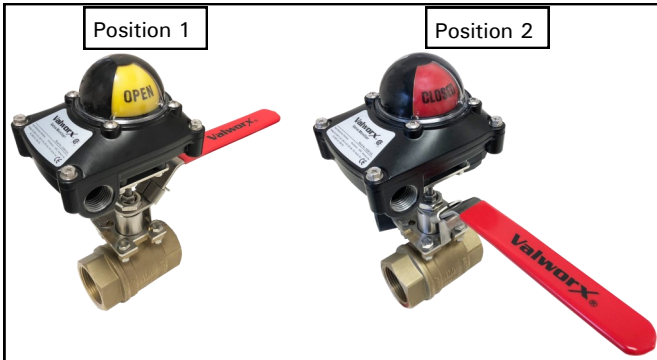
Opening/closing the manual valve turns the input shaft of the monitor and moves the visual indicator from closed to open (reverses to close). In addition, limit switches provide a dry contact output signal in both the open and closed position. This signal is used to remotely confirm the valve position.

### Description

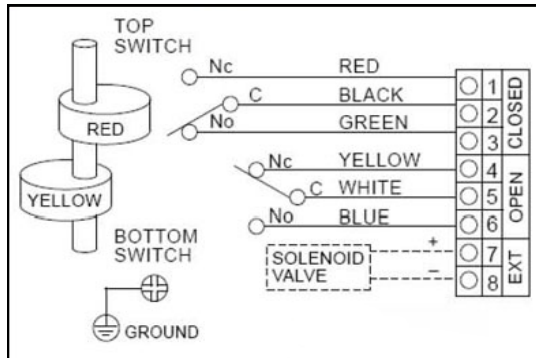
Valworx manual limit switch is a rotary position device used to confirm the valve position when mounted to a manual valve. The visual indicator on top of the device can clearly display the valve position for local detection. Mechanical limit switches provide an electrical signal output to PLC's or other devices to confirm both the open and closed valve position.

### Ordering Info

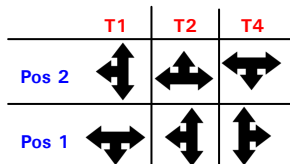
Stock No.	Description
529912	Manual limit switch with F03/F05 pad & 9mm valve stem
529914	Manual limit switch with F03/F05 pad & 11mm valve stem



### Wiring Diagram



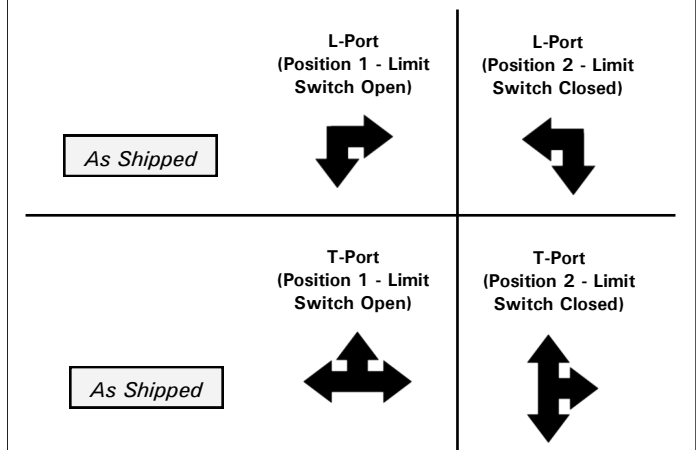
*\*Note: Installer can easily change flow path for 3-way T-Port from standard shipped position to an alternate Position 1 with limit switch indicating "Open" in the field as required. Position 1 options are shown below. User may remove valve portion only and rotate top male valve stem to desired Position 1. A 90° turn to will result in corresponding Position 2, with limit switch "Closed". Flow path on handle may no longer match.*



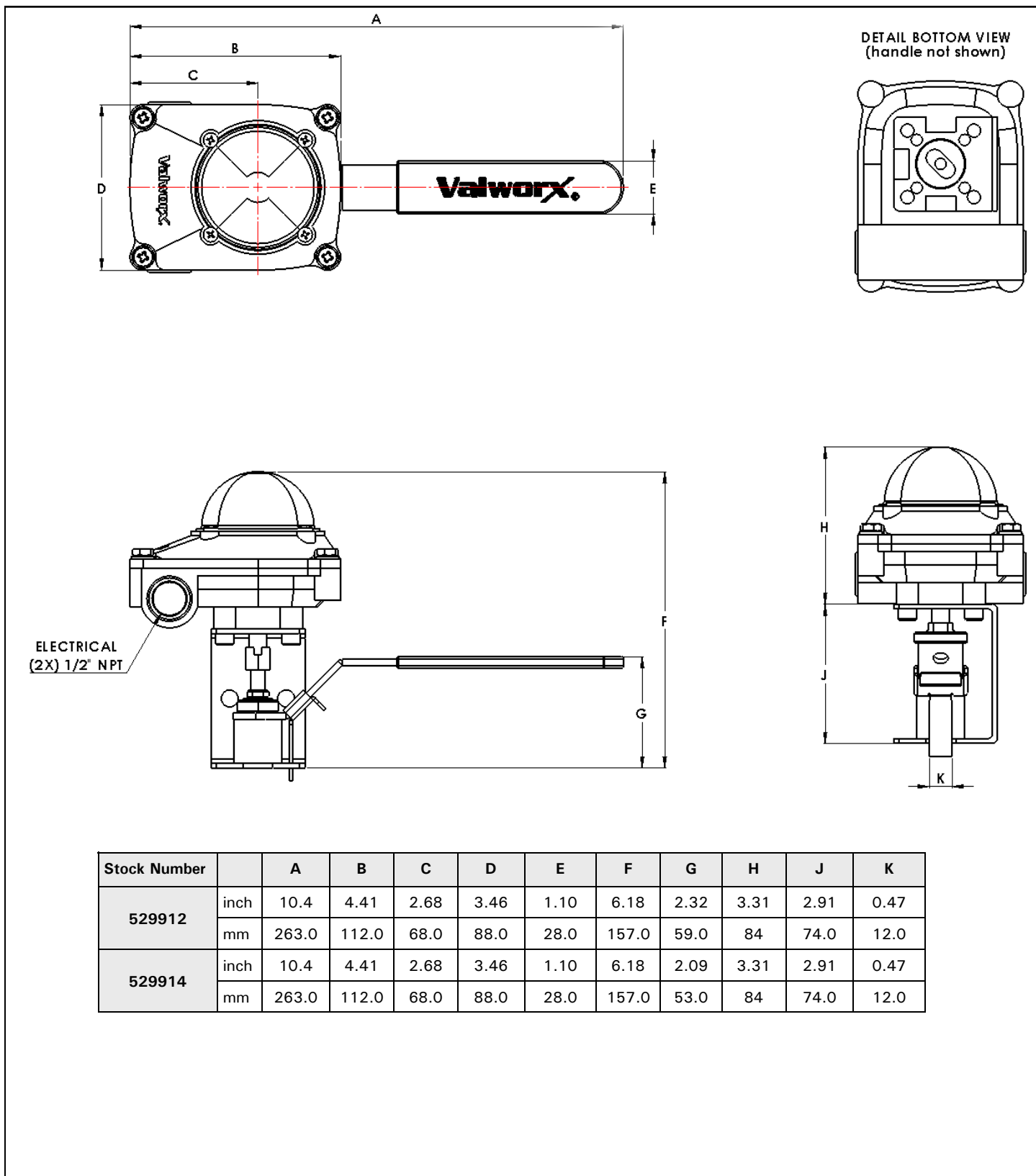
### Standard 3-Way (L and T-Port) Flow Paths



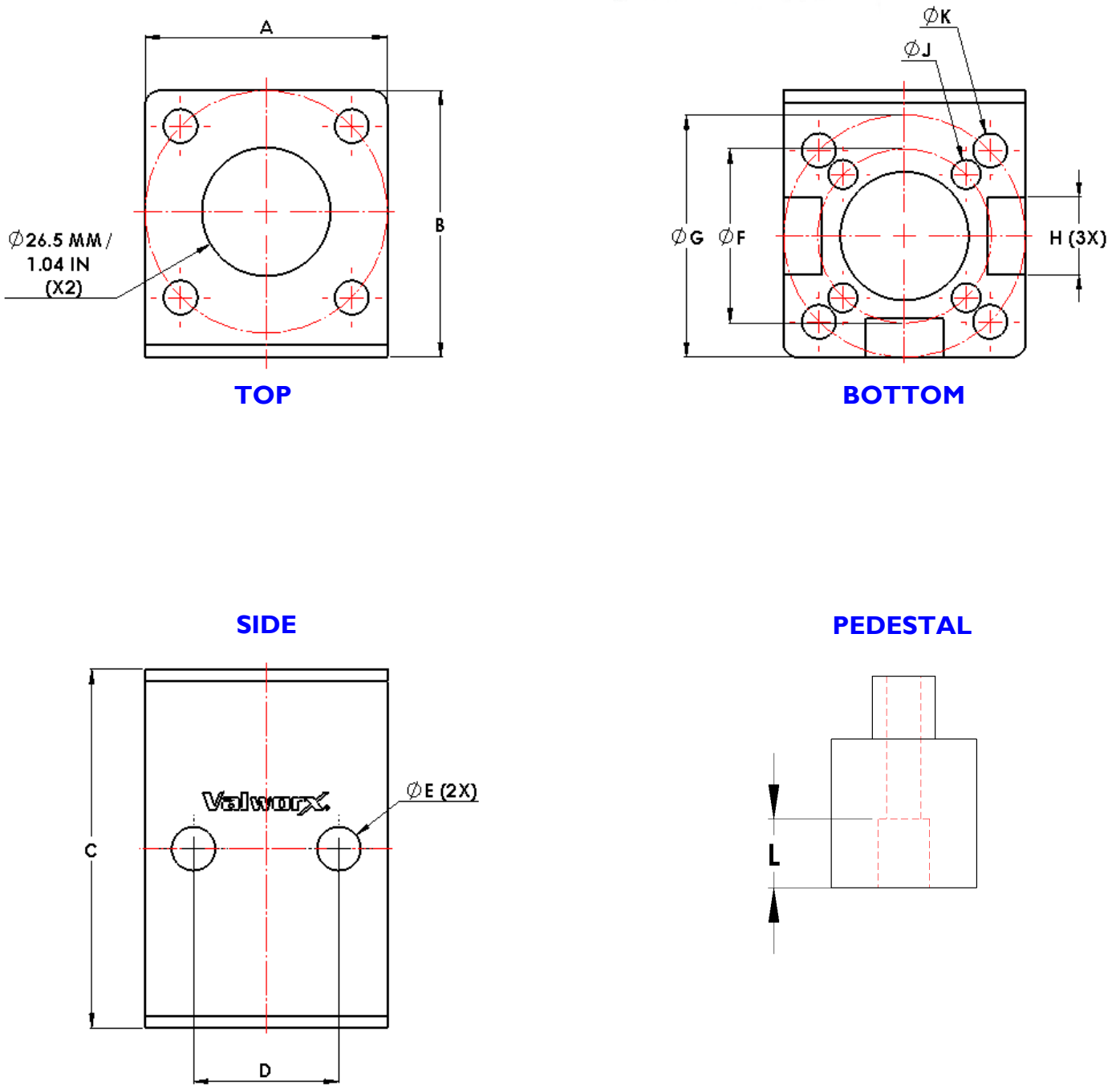
*(When viewed from top position shown)*



**Dimensions:**



Dimensions: (Detailed Bracket View)



Stock Number		A	B	C	D	E	F	G	H	J	K	L
529912 Bracket (9 mm stem)	inch	1.97	2.17	2.91	1.18	0.35	1.42	1.97	0.63	0.24	0.28	0.47
	mm	50.0	55.0	74.0	30.0	9.0	36.0	50.0	16.0	6.0	7.0	12.0
529914 Bracket (11 mm stem)	inch	1.97	2.17	2.91	1.18	0.35	1.42	1.97	0.63	0.24	0.28	0.55
	mm	50.0	55.0	74.0	30.0	9.0	36.0	50.0	16.0	6.0	7.0	14.0