


Guide Followers / Solid Eccentric Cam Followers

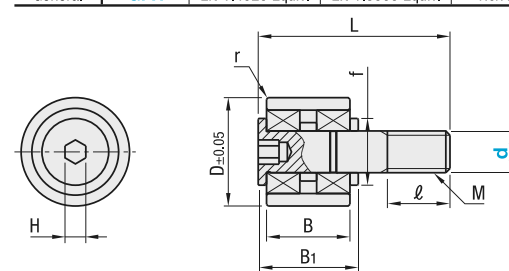
Features: Ball bearing-combined products used for transfers and guiding.

Guide Followers



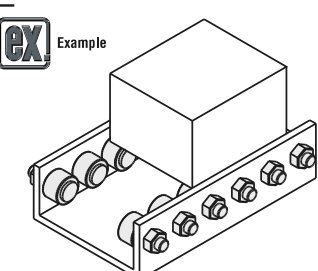
RoHS

Application	Type	Material		Accessory
		External Parts	Internal Parts (Bearing)	
General	GFR	EN 1.4029 Equiv.	EN 1.3505 Equiv.	Hex Nut 1 pc. (EN 1.4301 Equiv.)



Operating Temp.: 80°C or lower

EX Example



Part Number		D	MxPitch	B	B ₁	L	l	r	f (Min.)	H	Basic Load Rating		Allowable Rotational Speed (rpm)	Mass (g)	Unit Price	
Type	d Tolerance										C (Dynamic) kN	Cor (Static) kN				
GFR	3	-0.007 -0.015	10	3x0.5	8.5	9.5	17	5	0.2	6.8	1.5	0.840	0.268	52000	5	
	4		12	4x0.7	9	11	20	6	0.4	7.8	2	1.065	0.405	38000	8	
	5		13	5x0.8	10	12	23	7.5	0.2		2.5	1.072	0.414	36000	11	
	6		16	6x1.0	12	14	28	9		10.8	3	1.620	0.660	30000	18	
8	19	8x1.25	16	32	11	13.8	4	2.415	1.065	24000	28					

Ordering Example: Part Number **GFR6**

kgf=Nx0.101972

Solid Eccentric Cam Followers With Hex Socket

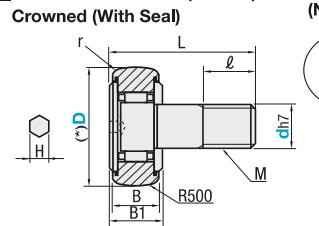


RoHS

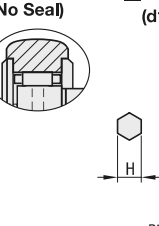
As the stud (dh7) is eccentric to the center of the cam follower, it is possible to finely adjust the position by turning the stud when mounting.

Shape	Type				Material	Accessory	D	Tolerance
	Hex Socket on Head (d6 ~ 10)	Hex Socket on Head and Thread (d12 ~ 16)						
	No Seal	With Seal	No Seal	With Seal		Hex Nut 1 pc. (EN 1.1191 Equiv., Black Oxide)		
Crowned	CUAP	CFUAP	CUAPH	CFUAPH	EN 1.3505 Equiv.		16	0 -0.008
Flat	CFAP	CFFAP	CFAPH	CFFAPH			19~30	0 -0.009
							32, 35	0 -0.011

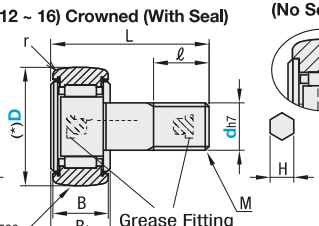
Hex Socket on Head (d6 ~ 10) Crowned (With Seal)



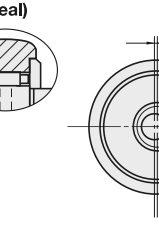
(No Seal)



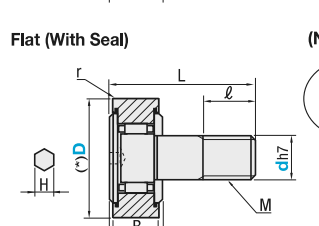
Hex Socket on Head and Thread (d12 ~ 16) Crowned (With Seal)



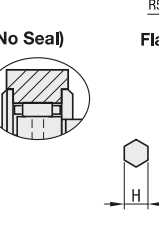
(No Seal)



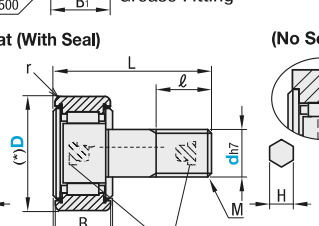
Flat (With Seal)



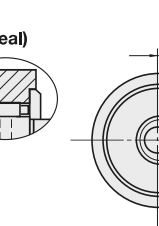
(No Seal)



Flat (With Seal)



(No Seal)



For d10 and smaller sizes, no grease replenishing hole is provided.

Operating Temp.: 80°C or lower

Part Number		D	MxPitch	l	B	B ₁	L	r	f (Min.)	H	e (Eccentricity)	Unit Price							
Type	dh7 Tolerance											CFUAP	CFFAP	CUAP	CFAP	CFUAPH	CFFAPH	CUAPH	CFAPH
(With Seal) CFUAP CFFAP (No Seal) CUAP CFAP	6	0 -0.012	16	6x1.0	9	11	28	0.5	11	3	0.25								
	8			8x1.25	11	32	13		4										
	10		10x1.25	13	12	13	36	1	15	5	0.3								
(With Seal) CFUAPH CFFAPH (No Seal) CUAPH CFAPH	12	0 -0.018	30	12x1.5	14	14	40	1.5	20	6	0.4								
	12			12x1.5	14	15	40		20										
	16		16x1.5	18	18	19.5	52	24	0.5										

The standards of d12, 16 have been modified to those with the hex socket on the head and thread. For the performance of Cam Followers, Table 1 on P.1043.

Ordering Example: Part Number **CUAP8 - 19**

Part Number Substitution Table for Cam Follower Standard Changes (d12, 16)

Seal	Material	Crowned / Flat	Old Part Number (Hex Socket on Head)	New Part Number (Hex Socket on Head and Thread)
With Seal	EN 1.3505 Equiv.	Crowned	CFUAP	CFUAPH
		Flat	CFFAP	CFFAPH
No Seal		Crowned	CUAP	CUAPH
		Flat	CFAP	CFAPH