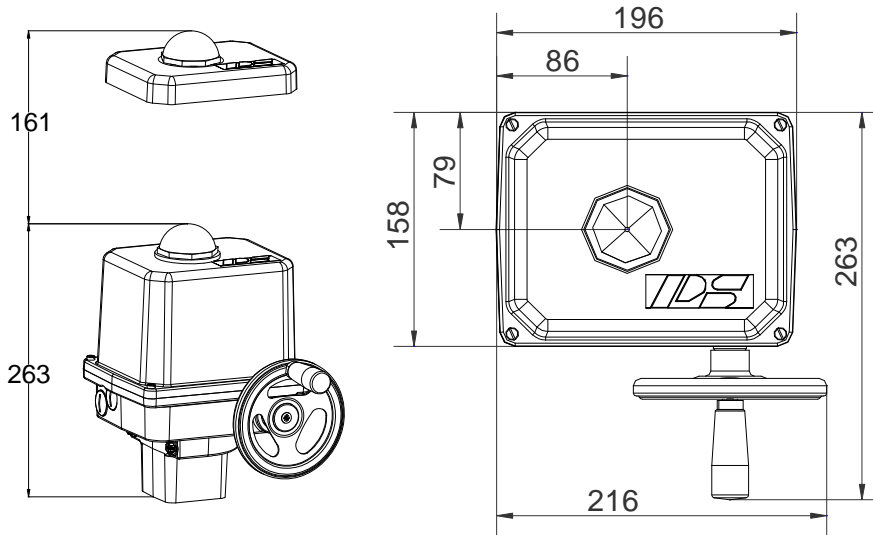


Electric Quarter Turn Actuator

PSQ103



weight approx. 7.6 kg without accessories

130 Nm

Switching Torque
65 Nm Modulating Torque)¹

8 s - 16 s
Operating Time/90°

Flange
F05 + F07

Modulating Actuator
Class C
EN 15714-2

Enclosure IP67
EN 60529

Operating Time/90°	8 s [50Hz] / 7 s [60 Hz] (not fully self-locking)				8 s
Power Supply [V]	230 VAC 1~	115 VAC 1~	24 VAC 1~	400 V 3~	24 VDC
Frequency [Hz]	50 / 60	50 / 60			-
Rated Current [A]	0.45	0.9			2.8
Maximum Current [A]	0.9	1.8			3.4
Power Consumption) ² [W]	100	100			67
Duty Cycle IEC 60034-1	S2 10min / S4 50% ED - 1200c/h				see left
Ambient Temperature [°C]	-20°C to +80°C (S2) / -20°C to +60°C (S4)				see left
Overvoltage Category	II				
Motor Protection	Thermo Switch) ³				Multifuse

PSQ103
130 Nm

Operating Time/90°	16 s [50 Hz] / 13 s [60 Hz]				16 s
Power Supply [V]	230 VAC 1~	115 VAC 1~	24 VAC 1~	400 V 3~	24 VDC
Frequency [Hz]	50 / 60	50 / 60	50 / 60	50 / 60	-
Rated Current [A]	0.32	0.61	2.9	0.15	1.4
max. Current [A]	0.39	0.73	3.5	0.19	1.7
Power Consumption) ² [W]	73	69	69	64	34
Duty Cycle IEC 60034-1	S2 30min / S4 50% ED - 1200 c/h				
Ambient Temperature [°C]	-20°C to +80°C (S2) / -20°C to +60°C (S4)				
Overvoltage Category	II				
Motor Protection	Thermo Switch) ³				Multifuse

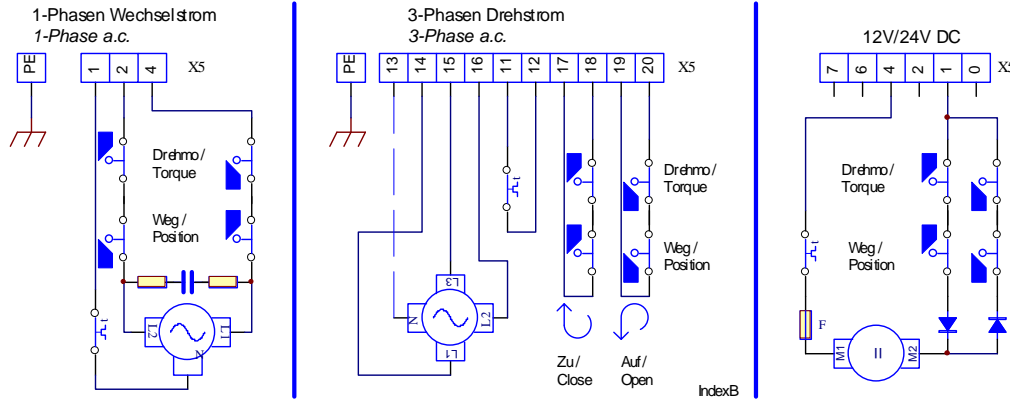
PSQ103
130 Nm

)¹ = Permissible average torque over the travel of 90°

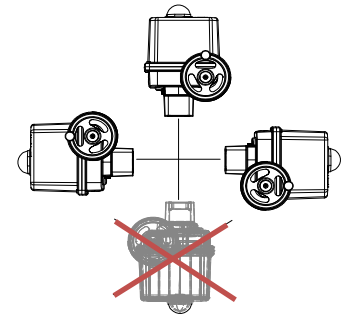
)² = at switching torque and 50 Hz

)³ = Thermo switch must be wired externally at 400 VAC 3~

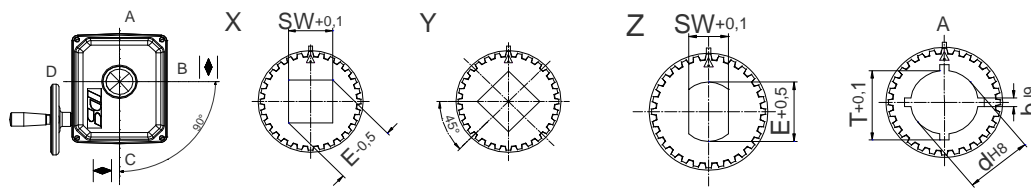
Wiring Diagramm



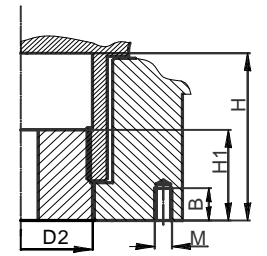
Mounting Position



Available Drive Bushes



Square X or Y (45 ° turned) Double D Keyway



	F05	F07
D2	38	38
H	44	44
H1	35	35
M	M6	M8
B	12	16

Please check drive bushes datasheet for available sizes!
Other customized drive bushes on request!

Accessories/ Options	Power Supply	230 VAC 1~	115 VAC 1~	24 VAC 1~	400 V 3~	24 VDC
	Add'l Position Switches 2WE	•	•	•	•	•
	Add'l Position Switches 2WE Gold	•	•	•	•	•
	Add'l Torque Switches 2DE	•	•	•	•	•
	Add'l Torque Switches 2DE Gold	•	•	•	•	•
	Positioner PSAP	•	•	•) ⁴	•) ⁵	
	Position Transmitter PSPT	•	•	•	•	•
	Space Heater HR	•	•	•	•) ⁶	•
	Potentiometer PD	•	•	•	•	•
	Reversing Starter WSM				•	
Contactor 01						
Corrosion protection K2	Corrosion Protection K2 incl. Heating Resistor					
Increased enclosure IP	IP68) ⁷ incl. Heating Resistor and Corrosion Protection K2					

For more information and accessories, visit our website www.ps-automation.com!

- = available, for further information see respective datasheet
-)⁴ = PSAP with external relay required
-)⁵ = only to be used with reversing starter contactor
-)⁶ = supply voltage 24 V or 115-230 V possible
-)⁷ = IP68, no ingress of dust and suitable for continuous immersion in water up to 6 m and 96 h

Subject to changes!