



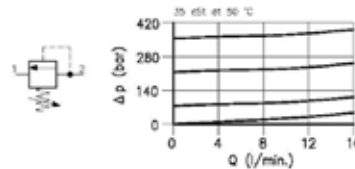
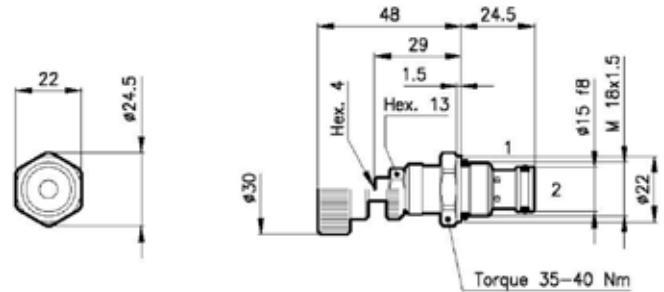
**Hydrauliek  
Hydraulique**

**CARTRIDGEVENTIELEN  
VALVES À CARTOUCHE**



## OVERDRUKVENTIEL

### LPS 20/20

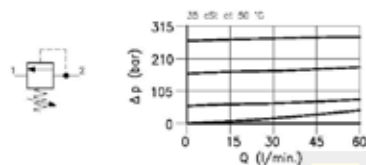
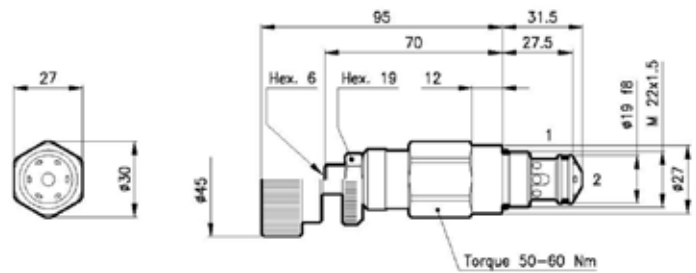


LPS 20 = Valve type



CODE VB Parts	Setting range (bar)	Factory set (bar)	Adjustment type	Cavity	Max flow (l/min.)	Max. inlet pressure (bar)	Max pressure on line 1 (bar)	Mass (kg)
VBH.800LPS20/20-D-N	7 - 210	140	Standard	S 20/2	12	420	210	0,075
VBH.800LPS20/20-Q-N	105 - 420	315	Standard	S 20/2	12	420	210	0,075

### LPA 30



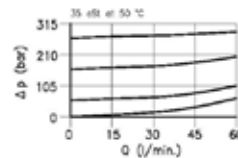
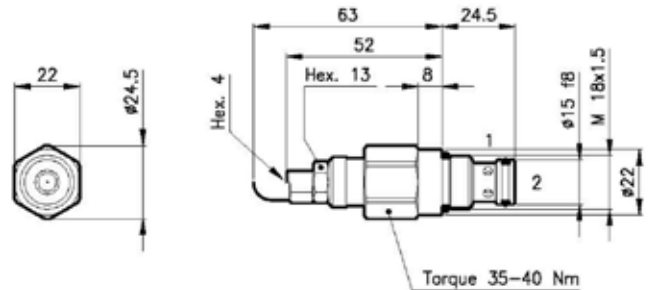
LPA 30 = Valve type



CODE VB Parts	Setting range (bar)	Factory set (bar)	Adjustment type	Cavity	Max flow (l/min.)	Max. inlet pressure (bar)	Max pressure on line 1 (bar)	Mass (kg)
VBH.20006.000F	70 - 210	140	Standard	S 30/2	50	350	210	0,270

## SOUPAPE DE LIMITATION DE PRESSION

### LPB 20

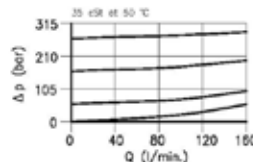
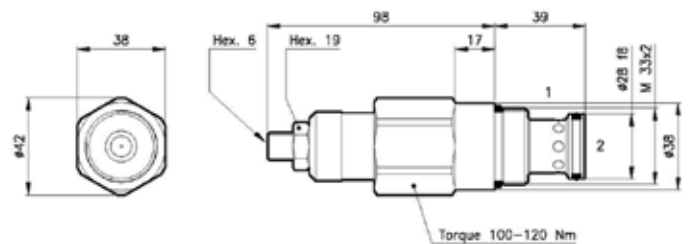


LPB 20 = Valve type



CODE VB Parts	Setting range (bar)	Factory set (bar)	Adjustment type	Cavity	Max flow (l/min.)	Max. inlet pressure (bar)	Max pressure on line 2 (bar)	Mass (kg)
VBH.800LPB20/T-N	140 - 350	280	Standard	S 20/2	50	350	350	0,125

### LPB 50



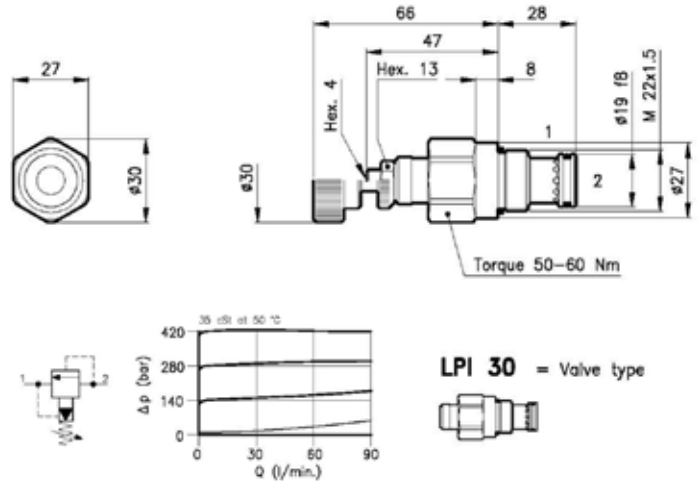
LPB 50 = Valve type



CODE VB Parts	Setting range (bar)	Factory set (bar)	Adjustment type	Cavity	Max flow (l/min.)	Max. inlet pressure (bar)	Max pressure on line 2 (bar)	Mass (kg)
VBH.800LPB50/D-N	70 - 210	140	Standard	S 50/2	160	350	350	0,910

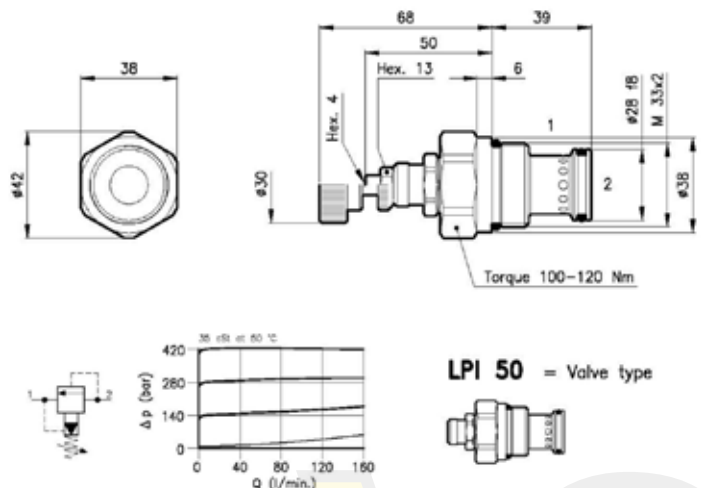
## OVERDRUKVENTIEL

### LPI 30



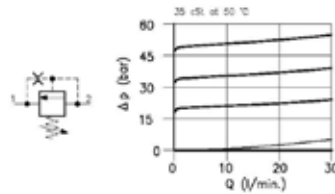
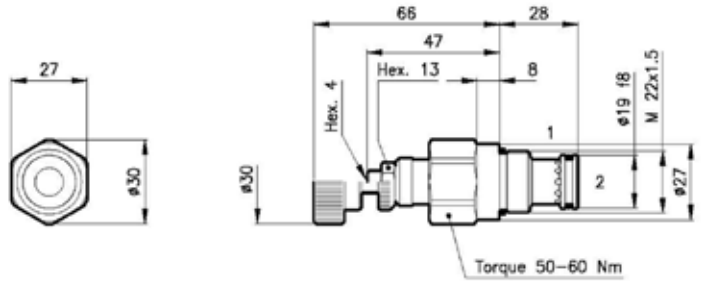
CODE VB Parts	Setting range (bar)	Factory set (bar)	Adjustment type	Cavity	Max flow (l/min.)	Max. inlet pressure (bar)	Max pressure on line 1 (bar)	Max leakage (cm <sup>3</sup> /min)	Mass (kg)
VBH.80oLPI30/D-V	14 - 210	140	Handknob	S 30/2	90	420	210	25	0,180
VBH.80oLPI30/Q-N	105 - 420	315	Standard	S 30/2	90	420	210	25	0,180

### LPI 50

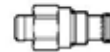


CODE VB Parts	Setting range (bar)	Factory set (bar)	Adjustment type	Cavity	Max flow (l/min.)	Max. inlet pressure (bar)	Max pressure on line 1 (bar)	Max leakage (cm <sup>3</sup> /min)	Mass (kg)
VBH.80oLPI50/Q-N	105 - 420	315	Standard	S 50/2	160	420	210	25	0,310

## LPT 30



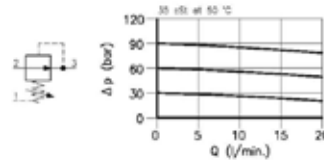
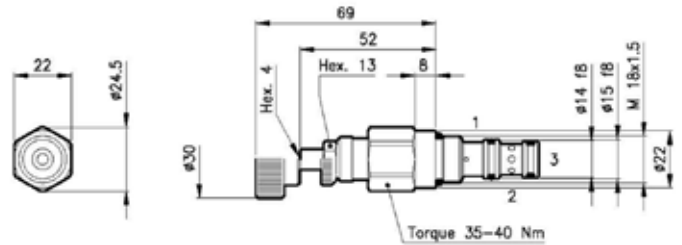
LPT 30 = Valve type



CODE VB Parts	Setting range (bar)	Factory set (bar)	Adjustment type	Cavity	Max flow (l/min.)	Max. inlet pressure (bar)	Drain at max. pressure (cm <sup>3</sup> /min.)	Mass (kg)
VBH.800LPT30/D-V	7 - 35	20	Handknob	S 30/2	30	55	800	0,180

## DRUKREDUCEERVENTIEL

### RPA 20

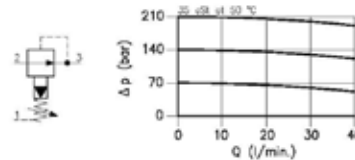
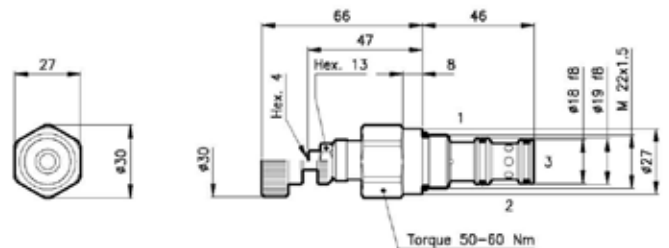


RPA 20 = Valve type



CODE VB Parts	Setting range (bar)	Factory set (bar)	Adjustment type	Cavity	Max flow (l/min.)	Max. inlet pressure (bar)	Pressure setting range (bar)	max. drain (l/min)	Mass (kg)
VBH.800RPA20U-V	5 - 30	20	Handknob	S 20/3	20	420	5 - 90	0,05	0,160

### RLY 30

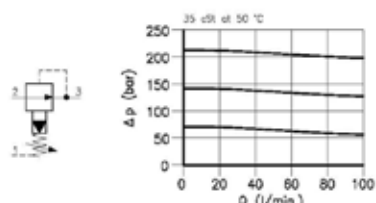
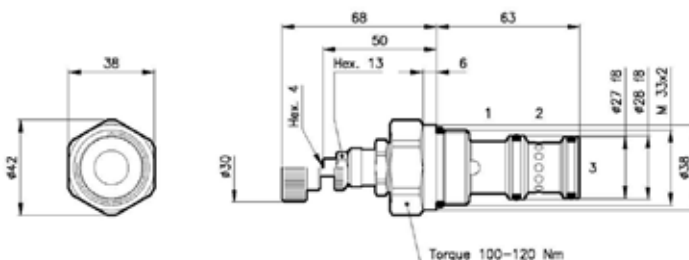


RLY 30 = Valve type



CODE VB Parts	Setting range (bar)	Factory set (bar)	Adjustment type	Cavity	Max flow (l/min.)	Max. inlet pressure (bar)	Pressure setting range (bar)	max. drain (l/min)	Mass (kg)
VBH.800RLY30/D-V	10 - 210	140	Handknob	S 30/3	40	420	10 - 210	0,4 - 0,6	0,400

# RLY 50



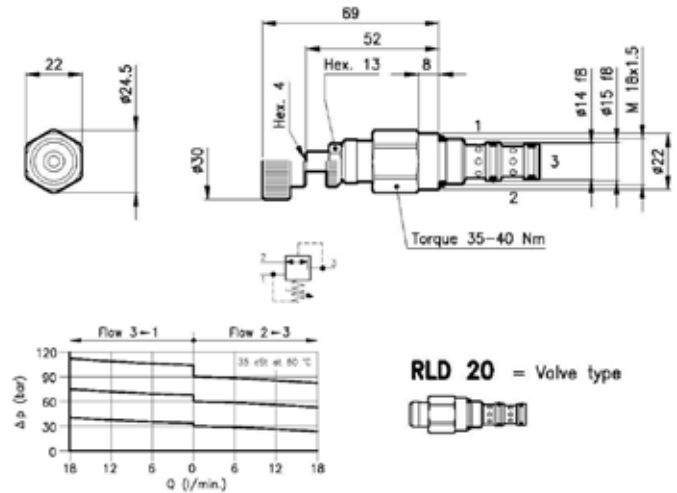
RLY 50 = Valve type



CODE VB Parts	Setting range (bar)	Factory set (bar)	Adjustment type	Cavity	Max flow (l/min.)	Max. inlet pressure (bar)	Pressure setting range (bar)	max. drain (l/min)	Mass (kg)
VBH.800RLY50/D-V	10 - 210	140	Handknob	S 50/3	90	420	10 - 210	0,4 - 0,6	0,400

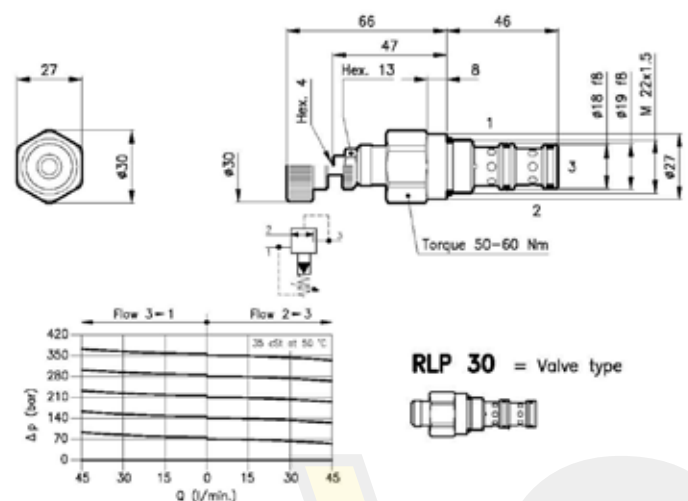
## OVERDRUK- EN DRUKREDUCEERVENTIEL

### RLD 20



CODE VB Parts	Setting range (bar)	Factory set (bar)	Adjustment type	Cavity	Max flow (l/min.)	Max. inlet pressure (bar)	Pressure setting range (bar)	max. drain (l/min)	Mass (kg)
VBH.800RLD20DN	14 - 60	40	Standard	S 20/3	16	420	5 - 90	0,1	0,160
VBH.800RLD20UN	5 - 30	20	Standard	S 20/3	16	420	5 - 90	0,1	0,160

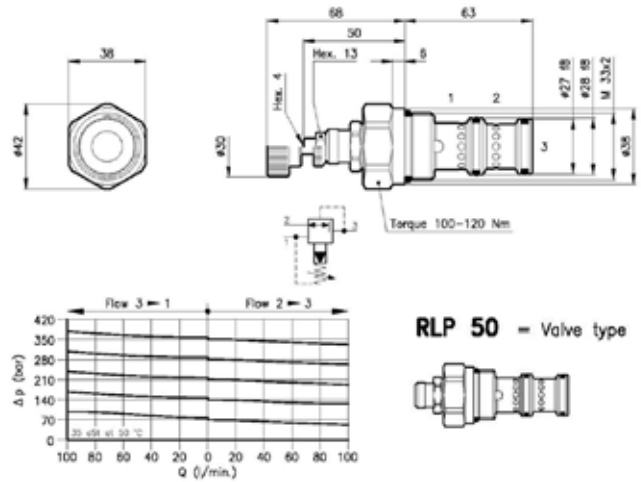
### RLP 30



CODE VB Parts	Setting range (bar)	Factory set (bar)	Adjustment type	Cavity	Max flow (l/min.)	Max. inlet pressure (bar)	Pressure setting range (bar)	max. drain (l/min)	Mass (kg)
VBH.800RLP30/D	10 - 210	140	Handknob	S 30/3	40	420	10 - 420	0,4 - 0,6	0,200



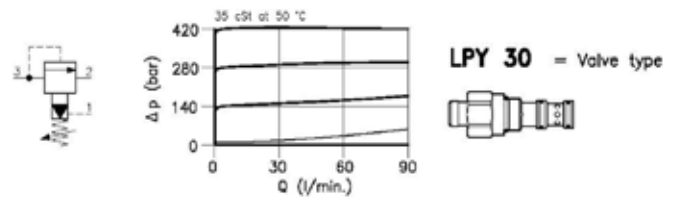
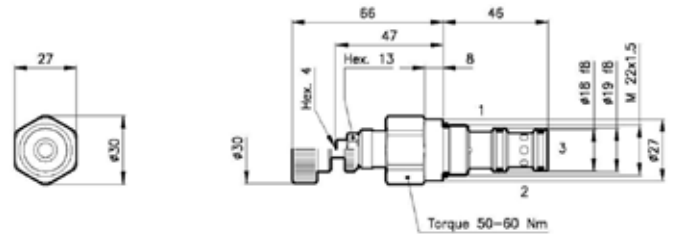
## RLP 50



CODE VB Parts	Setting range (bar)	Factory set (bar)	Adjustment type	Cavity	Max flow (l/min.)	Max. inlet pressure (bar)	Pressure setting range (bar)	max. drain (l/min)	Mass (kg)
VBH.800RLP50/D	14 - 210	140	Handknob	S 50/3	90	420	14 - 420	0,6 - 0,6	0,400

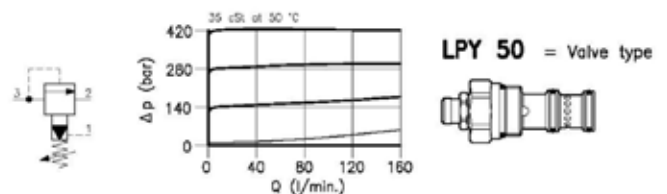
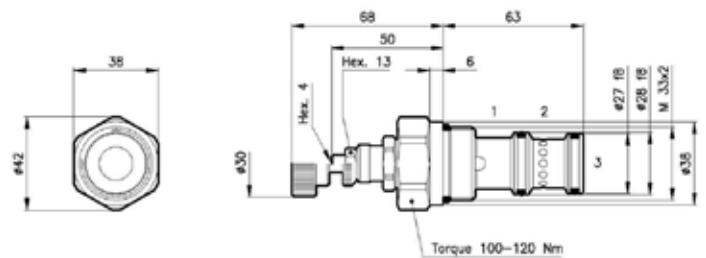
## VOLGORDEKLEP

### LPY 30



CODE VB Parts	Setting range (bar)	Factory set (bar)	Adjustment type	Cavity	Max flow (l/min.)	Max. inlet pressure (bar)	Max pressure on line 2 (bar)	Max. drain on line 1	Mass (kg)
VBH.800LPY30/D-N	10 - 210	140	Standard	S 30/3	70	420	420	1,2	0,200

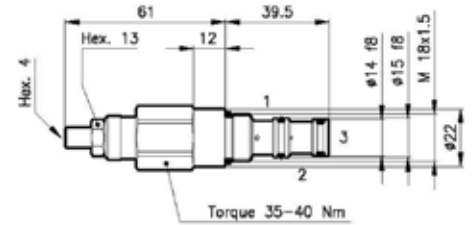
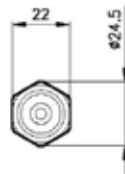
### LPY 50



CODE VB Parts	Setting range (bar)	Factory set (bar)	Adjustment type	Cavity	Max flow (l/min.)	Max. inlet pressure (bar)	Max pressure on line 2 (bar)	Max. drain on line 1	Mass (kg)
VBH.800LPY50/D-N	10 - 210	140	Standard	S 50/3	160	420	420	1,2	0,400

## VALVE DE SÉQUENCE

### LCS 20



$$Pr = \frac{P \cdot d}{100}$$

Where:

Pr = Reset pressure (bar)

P = Setting pressure (bar)

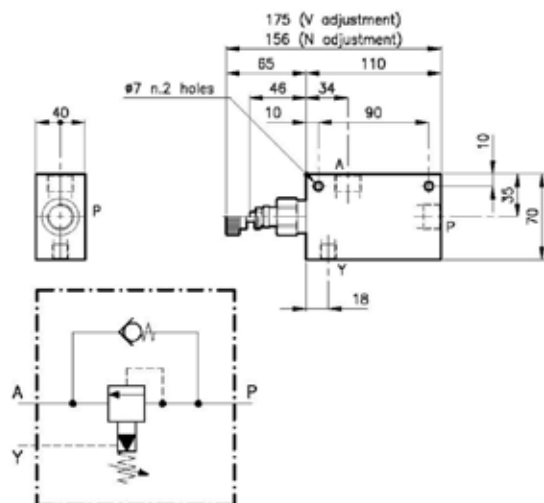
d = Differential area

LCS 20 = Valve type



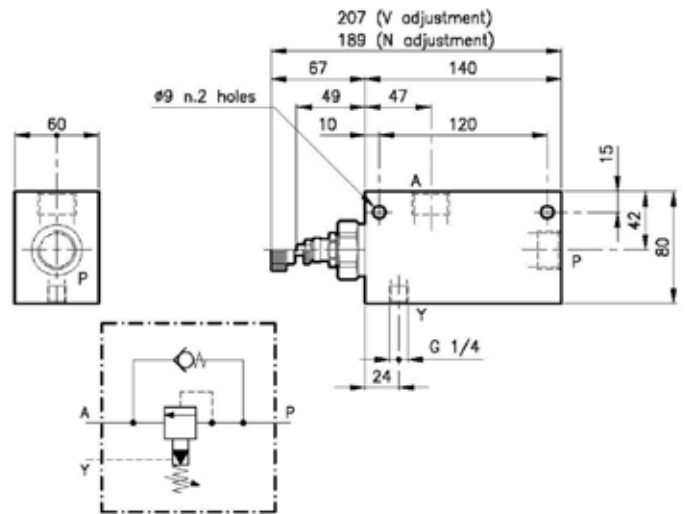
CODE VB Parts	Setting range (bar)	Factory set (bar)	Adjustment type	Cavity	Max flow (l/min.)	Max pressure (bar)	Adjustment range (bar)	Differential area (d) (%)	Mass (kg)
VBH.800LCS20/DN	10 - 210	140	Standard	S 20/3	1,5	350	10 - 315	88 +/- 1,5%	0,160

### LPY 30/CSL 10



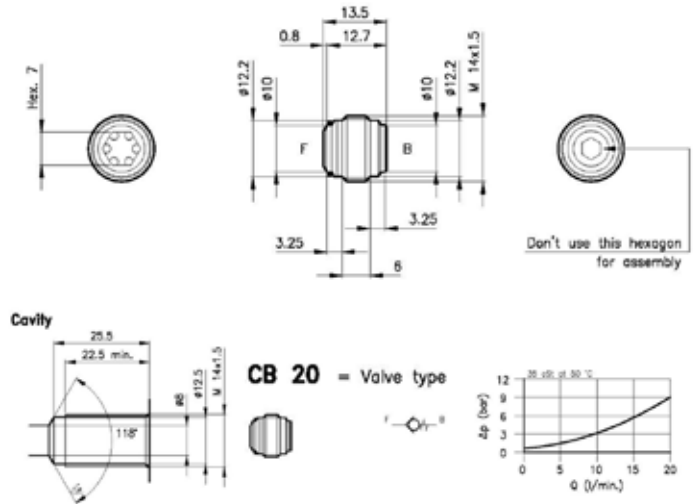
CODE VB Parts	Setting range (bar)	Adjustment type	Version	Standard ports	Max flow (l/min.)	Max pressure in P	Max pressure on A	Mass (kg)
VBH.800LPY30/D-N-CSL	10 - 210	Standard	CSL 10	G 1/2 ISO 228	70	420	350	0,990

## LPY 50/CSL 10



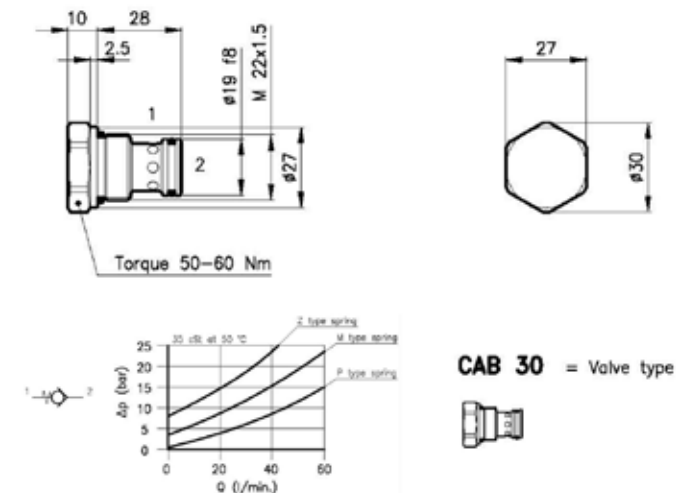
CODE VB Parts	Setting range (bar)	Adjustment type	Version	Standard ports	Max flow (l/min.)	Max pressure in P	Max pressure on A	Mass (kg)
VBH.800LPY50/D-N-CSL	10 - 210	Standard	CSL 10	G 1/2 ISO 228	160	420	350	2,500

## CB 20



CODE VB Parts	Standard spring	Cavity	Nominal flow (l/min)	Max pressure (bar)	Cracking pressure (bar)	Mass (kg)
VBH.800CB20/Do5-P	1 bar	M 14x1,5	18	350	1	0,010

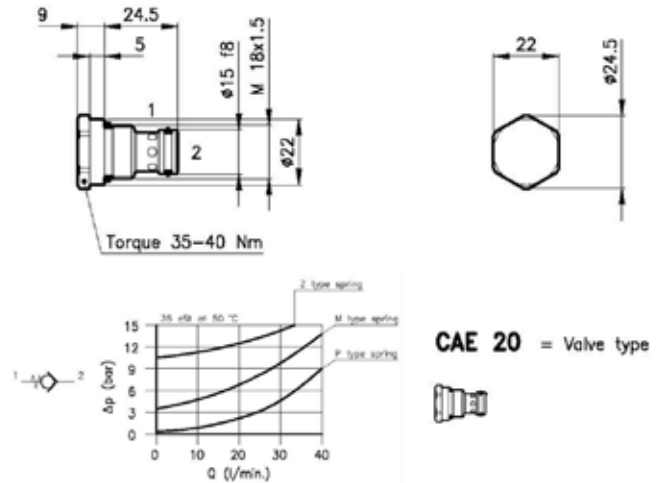
## CAB 30



CODE VB Parts	Standard spring	Cavity	Nominal flow (l/min)	Max pressure (bar)	Cracking pressure (bar)	Mass (kg)
VBH.800CAB30/Z	8 bar	S 30/2	40	210	0,35 - 3,5 - 8	0,090

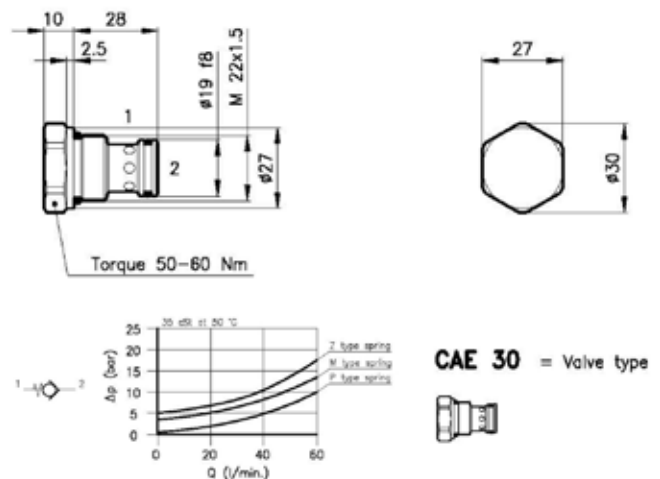
## RICHTINGCONTROLE

### CAE 20



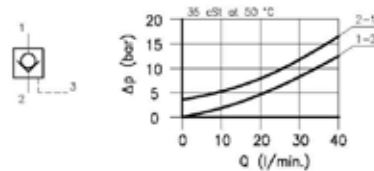
CODE VB Parts	Standard spring	Cavity	Nominal flow (l/min)	Max pressure (bar)	Cracking pressure (bar)	Mass (kg)
VBH.800CAE20/M	3,5 bar	S 20/2	35	420	0,35 - 3,5 - 11	0,055
VBH.800CAE20/P	0,35 bar	S 20/2	35	420	0,35 - 3,5 - 11	0,055

### CAE 30



CODE VB Parts	Standard spring	Cavity	Nominal flow (l/min)	Max pressure (bar)	Cracking pressure (bar)	Mass (kg)
VBH.800CAE30/P	0,35 bar	S 30/2	60	420	0,35 - 3,5 - 5	0,100

### CAT 30

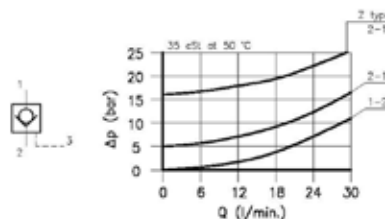
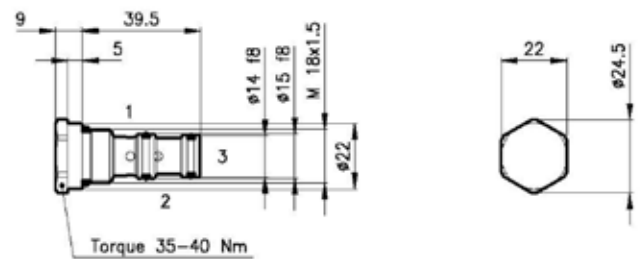


CAT 30 = Valve type



CODE VB Parts	Standard spring	Cavity	Nominal flow (l/min)	Max pressure (bar)	Pilot ratio	Pilot volume (cm <sup>2</sup> )	Mass (kg)
VBH.800CAT30/M	3,5 bar	S 30/3	30	210	1,5:1	0,1	0,110

### CAP 20



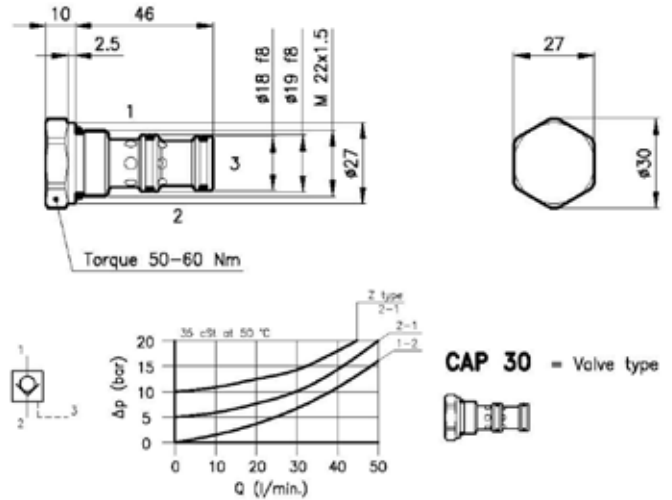
CAP 20 = Valve type



CODE VB Parts	Standard spring	Cavity	Nominal flow (l/min)	Max pressure (bar)	Pilot ratio	Pilot volume (cm <sup>2</sup> )	Mass (kg)
VBH.800CAP20/M	5 bar	S 20/3	25	350	2,5:1	0,05	0,065

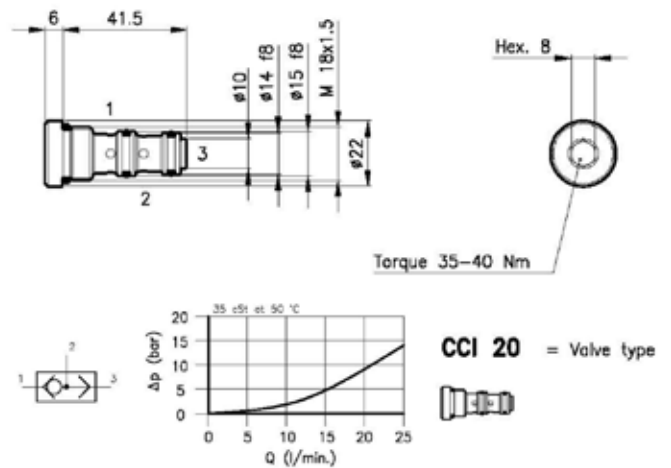
## RICHTINGCONTROLE

### CAP 30



CODE VB Parts	Standard spring	Cavity	Nominal flow (l/min)	Max pressure (bar)	Pilot ratio	Pilot volume (cm <sup>3</sup> )	Mass (kg)
VBH.800CAP30/M	5 bar	S 30/3	40	350	2,5:1	0,1	0,120

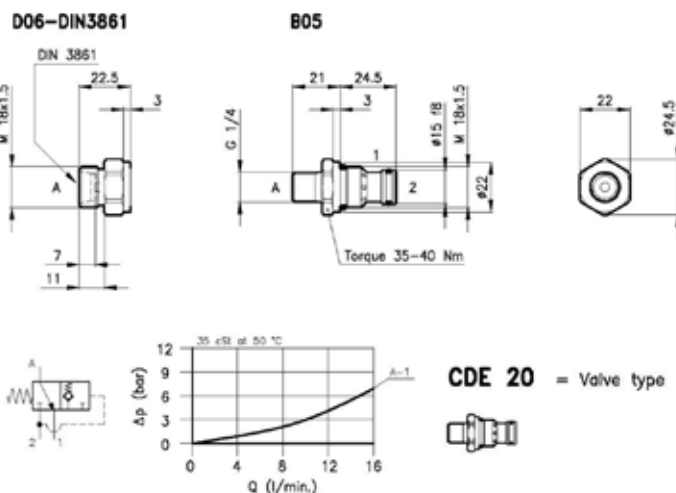
### CCI 20



CODE VB Parts	Cavity	Nominal flow (l/min)	Max pressure (bar)	Mass (kg)
VBH.800CCI20	S 20/3	20	350	0,065



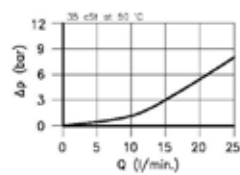
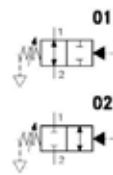
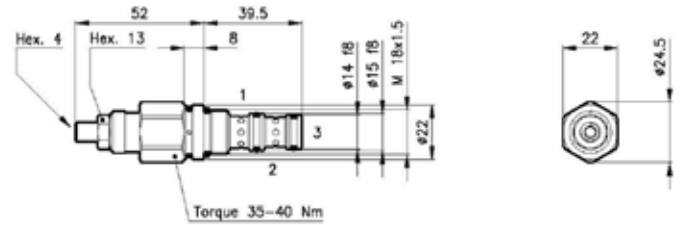
# CDE 20



CODE VB Parts	Cartridge port	Cavity	Nominal flow (l/min)	Max pressure (bar)	Cracking pressure (bar)	Mass (kg)
VBH.800CDE20/Do6	M 18x1,5 - DIN 3861	S 20/2	12	210	14	0,055

## RICHTINGSVENTIEL - SPOEL

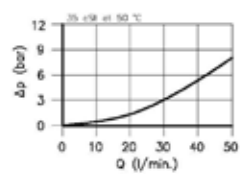
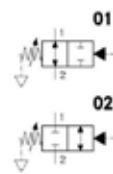
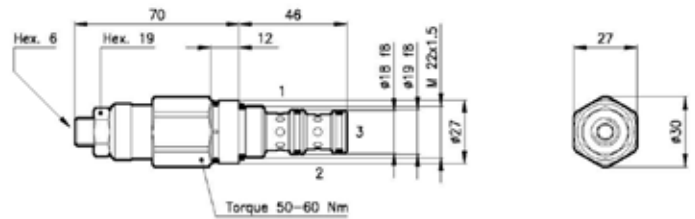
### VDT 20/32



**VDT 20** = Valve type

CODE VB Parts	Setting range (bar)	Adjustment type	Cavity	Nominal flow (l/min)	Max pressure (bar)	Mass (kg)
VBH.800VDT20/3201	5 - 30	Standard	S 20/3	20	350	0,160
VBH.800VDT20/3202	5 - 30	Standard	S20/3	20	350	0,160

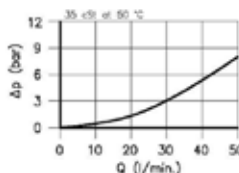
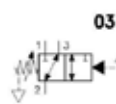
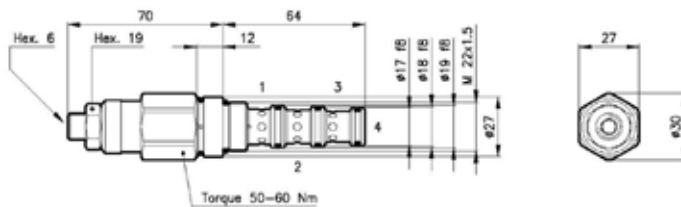
### VDT 30/32



**VDT 30** = Valve type

CODE VB Parts	Setting range (bar)	Adjustment type	Cavity	Nominal flow (l/min)	Max pressure (bar)	Mass (kg)
VBH.800VDT30/3201	5 - 35	Standard	S 30/3	40	350	0,280
VBH.800VDT30/3202	70 - 210	Standard	S 30/3	40	350	0,280

## VDT 30/4203



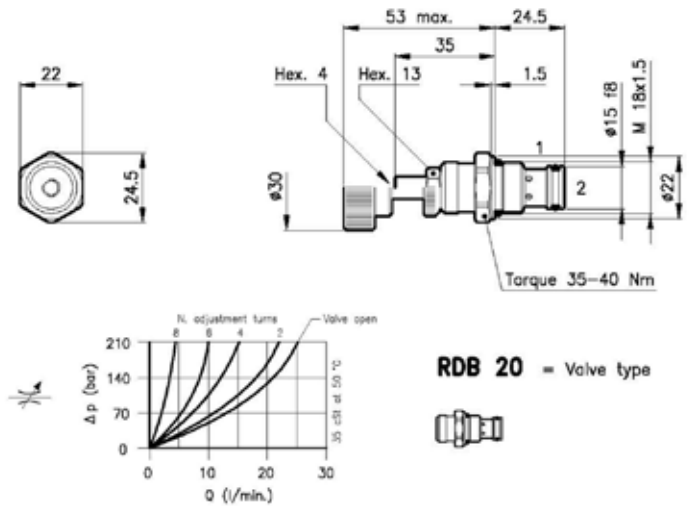
VDT 30 = Valve type



CODE VB Parts	Setting range (bar)	Adjustment type	Cavity	Nominal flow (l/min)	Max pressure (bar)	Mass (kg)
VBH.800VDT30/4203	70 - 210	Standard	S 30/4	40	350	0,310

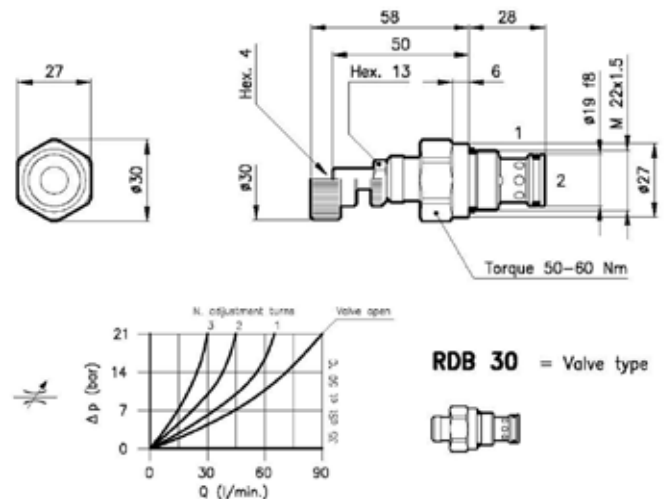
## DEBIETREGELAAR

### RDB 20



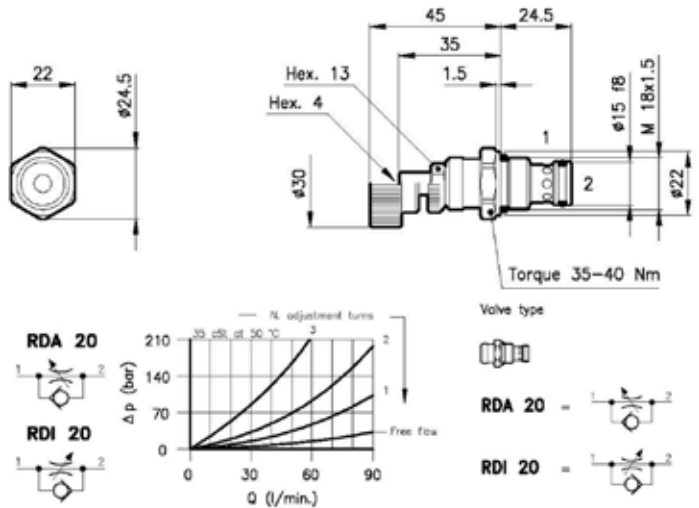
CODE VB Parts	Adjustment type	Cavity	Max adjusted flow (p 70 bar) (l/min)	Max adjusted flow (p 140 bar) (l/min)	Max adjusted flow (p 210 bar) (l/min)	Max pressure (bar)	Mass (kg)	Leakage when closed (cm <sup>3</sup> /1)
VBH.800RDB20/175V	Standard	S 20/2	0 - 10	0 - 16	0 - 22	350	0,090	Total shut off

### RDB 30



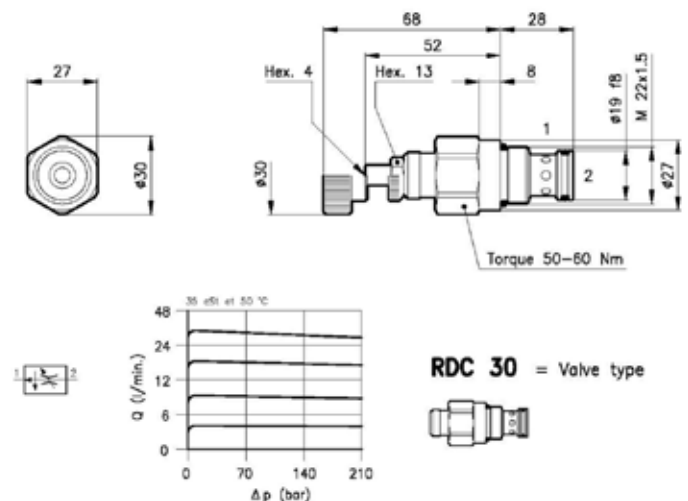
CODE VB Parts	Adjustment type	Cavity	Max adjusted flow (p 7 bar) (l/min)	Max adjusted flow (p 14 bar) (l/min)	Max pressure (bar)	Mass (kg)	Leakage when closed (cm <sup>3</sup> /1)
VBH.800RDB30/V	Handknob	S 30/2	0 - 50	0 - 70	350	0,170	Total shut off

### RDA 20



CODE VB Parts	Adjustment type	Cavity	Max adjusted flow (p 35 bar) (l/min)	Max adjusted flow (p 70 bar) (l/min)	Max adjusted flow (p 140 bar) (l/min)	Max pressure (bar)	Mass (kg)	Leakage when closed (cm <sup>3</sup> /h)
VBH.800RDA20/N	Standard	S 20/2	0 - 15	0 - 25	0 - 30	350	0,090	100

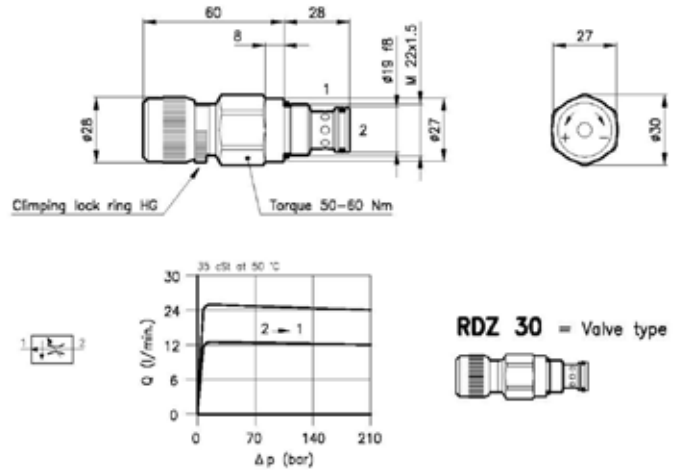
### RDC 30



CODE VB Parts	Setting range (l/min)	Adjustment type	Cavity	Flow setting range +/-10% (l/min)	Max pressure (bar)	Mass (kg)
VBH.800RDC30/D-V	6 - 11	Handknob	S 30/2	6 - 11	315	0,260
VBH.800RDC30/U-V	3 - 6	Handknob	S 30/2	3 - 6	315	0,260

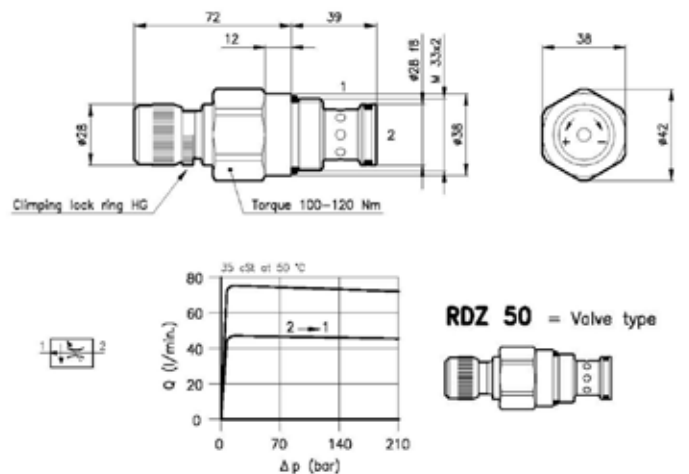
## DEBIETREGELAAR

### RDZ 30



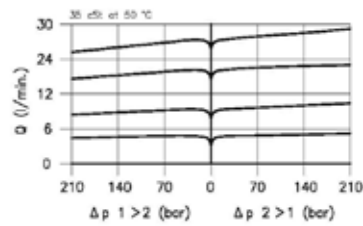
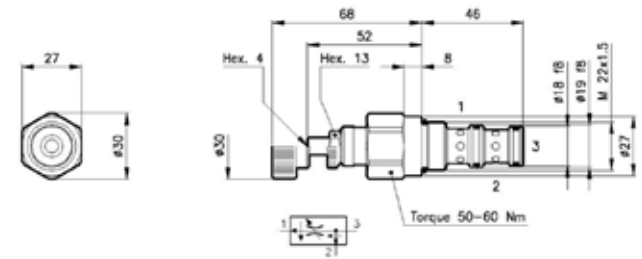
CODE VB Parts	Setting range (l/min)	Adjustment type	Cavity	Flow setting range +/-10% (l/min)	Max pressure (bar)	Min pressure difference (bar)	Mass (kg)
VBH.200RDZ30/Q-H	0,05 - 24	Standard	S 30/2	0,05 - 24	315	7	0,240

### RDZ 50



CODE VB Parts	Setting range (l/min)	Adjustment type	Cavity	Flow setting range +/-10% (l/min)	Max pressure (bar)	Min pressure difference (bar)	Mass (kg)
VBH.800RDZ50/Q-H	0,05 - 75	Standard	S 50/2	0,05 - 75	315	7	0,480

### DPC 30

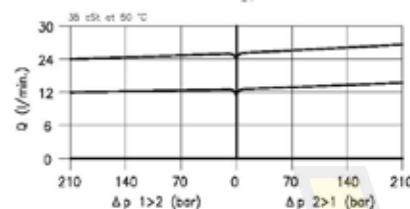
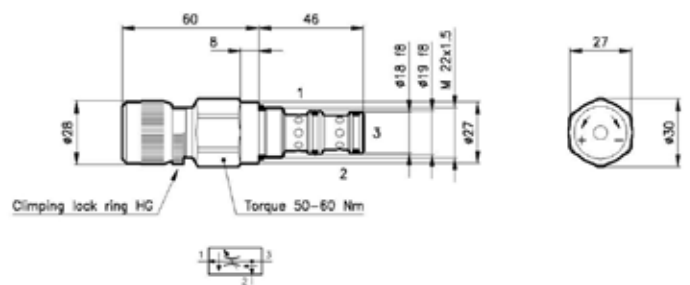


**DPC 30 = Valve type**



CODE VB Parts	Setting range (l/min)	Adjustment type	Cavity	Max inlet flow (l/min)	Flow setting range +/-10% (l/min)	Max pressure (bar)	Mass (kg)
VBH.800DPC30/U-V	3 - 6	Handknob	S 30/3	60	3 - 6	315	0,200
VBH.800DPC30/T-V	13 - 25	Handknob	S 30/3	60	13 - 25	315	0,200

### DPZ 30

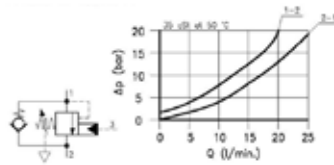
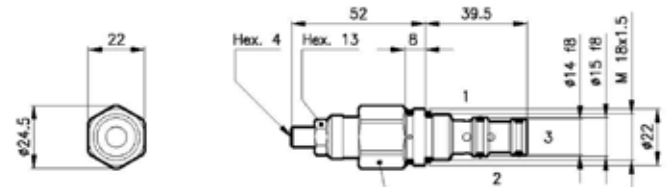


**DPZ 30 = Valve type**



CODE VB Parts	Setting range (l/min)	Adjustment type	Cavity	Max inlet flow (l/min)	Flow setting range +/-10% (l/min)	Max pressure (bar)	Min pressure difference (bar)	Mass (kg)
VBH.800DPZ 30/Q-H	0,05 - 24	Standard	S 30/3	60	0,05 - 24	315	7	0,260

### CMB 20



Torque 35-40 Nm

**CMB 20** = Valve type



$$PP = \frac{SP - LP}{3.75}$$

PP = Pilot pressure  
 SP = Setting pressure  
 LP = Load induced pressure

CODE VB Parts	Setting range (bar)	Factory set (bar)	Adjustment type	Cavity	Max flow (l/min.)	Max system pressure	Max setting pressure	Pilot ratio	Mass (kg)
VBH.800CMB20/D-N	50 - 205	140	Standard	S 20/3	20	270	320	3,75:1	0,170

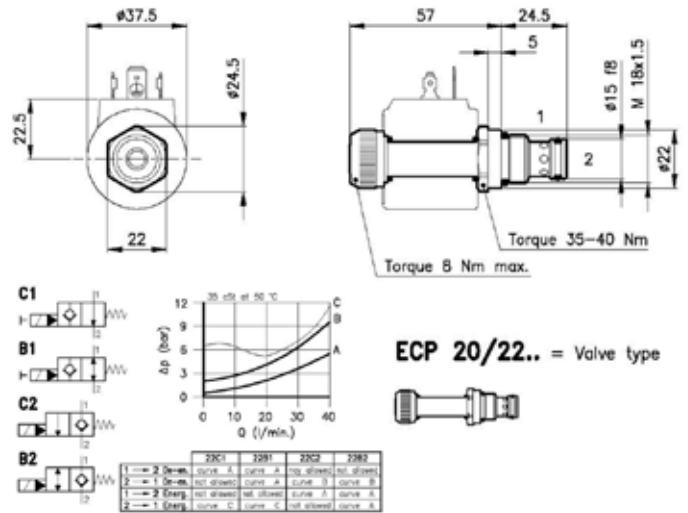


# Hydraulique



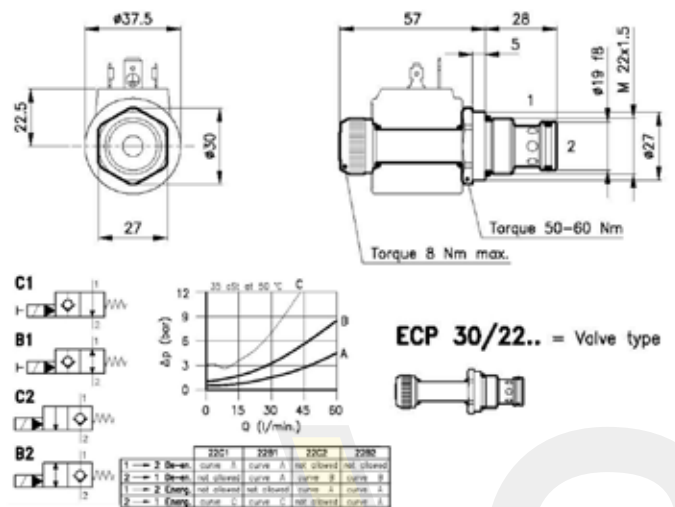
MAGNETVENTIEL - TYPE POPPET - ELECTROVANNE - TYPE POPPET

## ECP 20/22



CODE VB Parts	Cavity	Max flow (l/min.)	Max pressure (bar)	Response time (ms)	Mass (kg)
VBH.800ECP20/22C1	S 20/2	30	210	80 - 120	0,120
VBH.800ECP20/22B1	S 20/2	30	210	80 - 120	0,120
VBH.800ECP20/22C2	S 20/2	30	210	80 - 120	0,120
VBH.800ECP20/22B2	S 20/2	30	210	80 - 120	0,120

## ECP 30/22



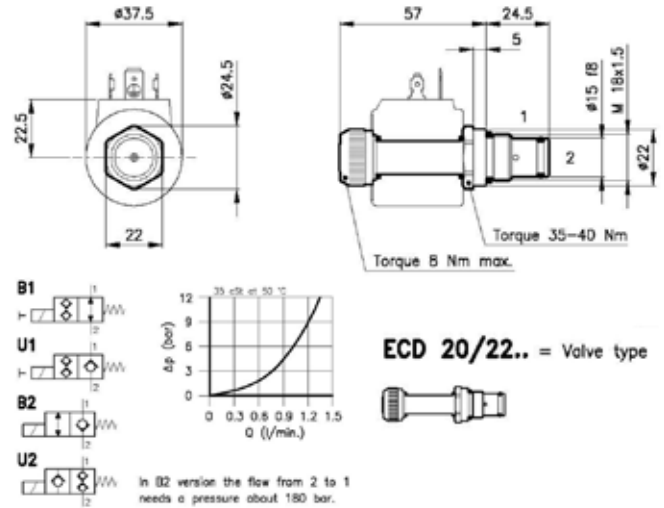
CODE VB Parts	Cavity	Max flow (l/min.)	Max pressure (bar)	Response time (ms)	Mass (kg)
VBH.800ECP30/22C2	S 30/2	50	210	80 - 120	0,160





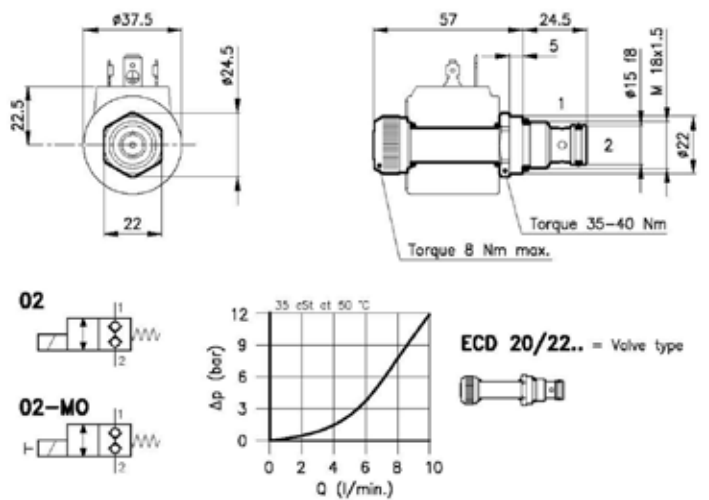
## MAGNETVENTIEL - TYPE POPPET

### ECD 20/22



CODE VB Parts	Cavity	Max flow (l/min.)	Max pressure (bar)	Response time (ms)	Mass (kg)
VBH.800ECD20/22B1	S 20/2	1,2	210	20 - 40	0,120

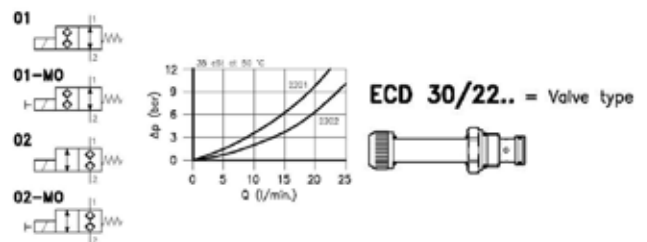
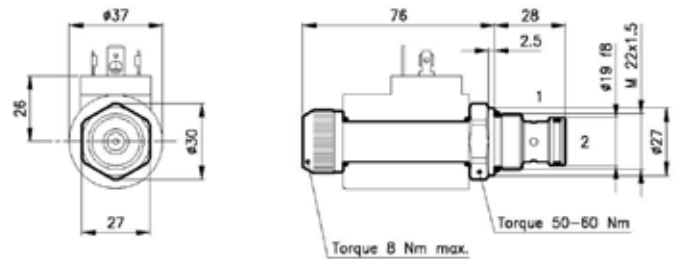
### ECD 20/22



CODE VB Parts	Cavity	Max flow (l/min.)	Max pressure (bar)	Response time (ms)	Mass (kg)
VBH.800ECD20/2202	S 20/2	10	210	20 - 40	0,120

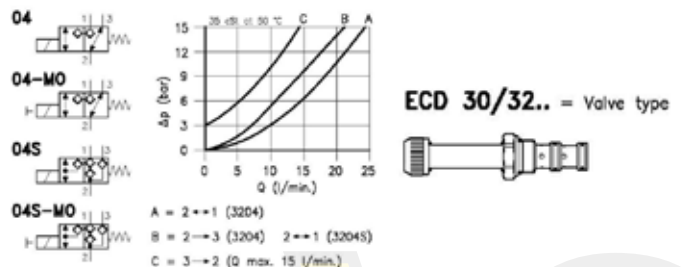
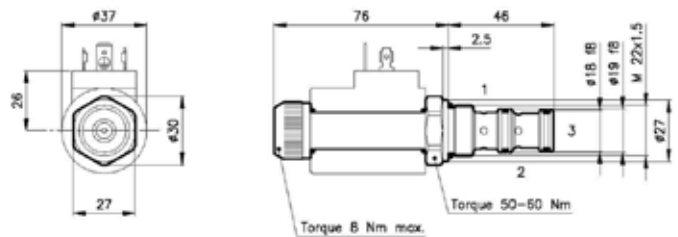
## ELECTROVANNE - TYPE POPPET

### ECD 30/22



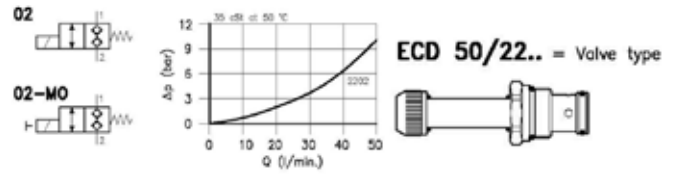
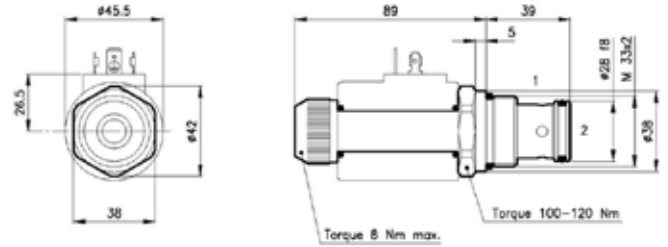
CODE VB Parts	Cavity	Max flow (l/min.)	Max pressure (bar)	Response time (ms)	Mass (kg)
VBH.800ECD30/2201	S 30/2	20	315	30 - 60	0,210
VBH.800ECD30/2202	S 30/2	25	315	30 - 60	0,210

### ECD 30/32



CODE VB Parts	Cavity	Max flow (l/min.)	Max pressure (bar)	Response time (ms)	Mass (kg)
VBH.800ECD30/3204	S 30/3	25	315	30 - 60	0,240

## ECD 50/22



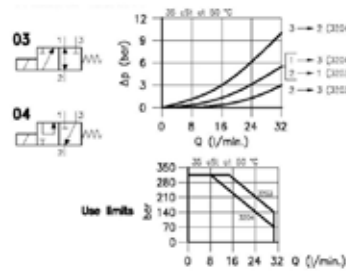
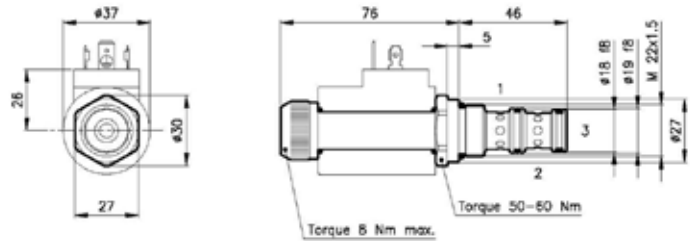
CODE VB Parts	Cavity	Max flow (l/min.)	Max pressure (bar)	Response time (ms)	Mass (kg)
VBH.800ECD50/2202	S 50/2	50	315	40 - 80	0,460

# Hydraulique

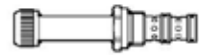
MAGNEETVENTIEL - TYPE SPOEL - ELECTROVANNE - TYPE BOBINE



## ETD 30/32

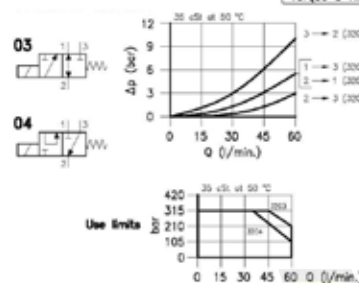
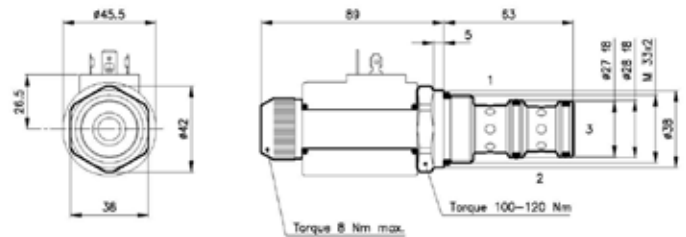


ETD 30/32.. = Valve type



CODE VB Parts	Cavity	Max flow (l/min.)	Max pressure (bar)	Response time (ms)	Max leakage (cm <sup>3</sup> /min)	Mass (kg)
VBH.800ETD30/3203	S 30/3	30	315	30 - 60	25	0,230
VBH.800ETD30/3204	S 30/3	30	315	30 - 60	25	0,230

## ETD 50/32



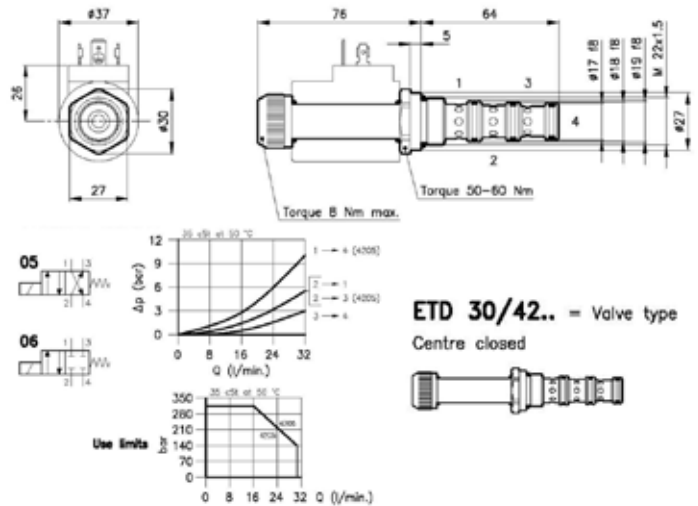
ETD 50/32.. = Valve type



CODE VB Parts	Cavity	Max flow (l/min.)	Max pressure (bar)	Response time (ms)	Max leakage (cm <sup>3</sup> /min)	Mass (kg)
VBH.800ETD50/3203	S 50/3	60	315	40 - 80	40	0,440
VBH.800ETD50/3204	S 50/3	60	315	40 - 80	40	0,440

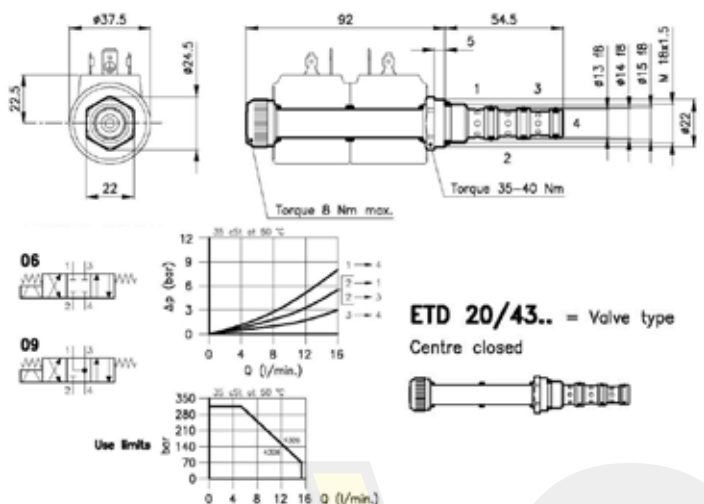
## MAGNEETVENTIEL - TYPE SPOEL

### ETD 30/42



CODE VB Parts	Cavity	Max flow (l/min.)	Max pressure way 1-2-3 (bar)	Max pressure way 4 (bar)	Response time (ms)	Max leakage (cm <sup>3</sup> /min)	Mass (kg)
VBH.800ETD30/4205	S 30/4	30	315	210	30 - 60	25	0,250
VBH.800ETD30/4206	S 30/4	30	315	210	30 - 60	25	0,250

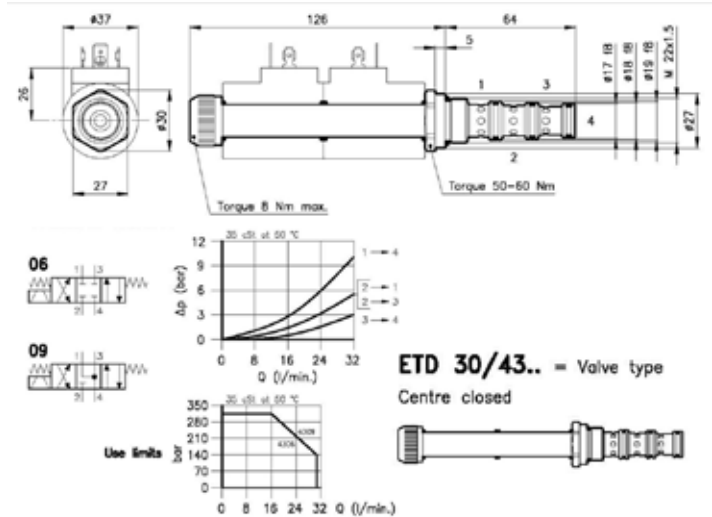
### ETD 20/43



CODE VB Parts	Cavity	Max flow (l/min.)	Max pressure way 1-2-3 (bar)	Max pressure way 4 (bar)	Response time (ms)	Max leakage (cm <sup>3</sup> /min)	Mass (kg)
VBH.800ETD20/4306	S 20/4	15	315	50	20 - 40	20	0,170
VBH.800ETD20/4309	S 20/4	15	315	50	20 - 40	20	0,170

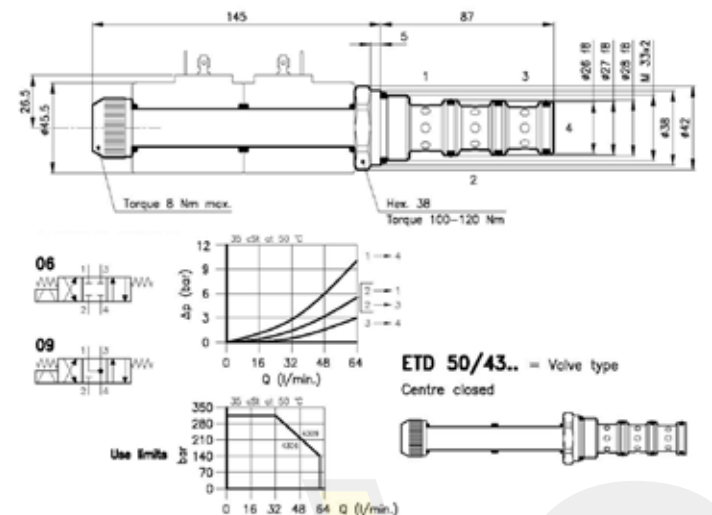


## ETD 30/43



CODE VB Parts	Cavity	Max flow (l/min.)	Max pressure way 1-2-3 (bar)	Max pressure way 4 (bar)	Response time (ms)	Max leakage (cm <sup>3</sup> /min)	Mass (kg)
VBH.800ETD30/4306	S 30/4	30	315	210	30 - 60	25	0,310
VBH.800ETD30/4309	S 30/4	30	315	210	30 - 60	25	0,310

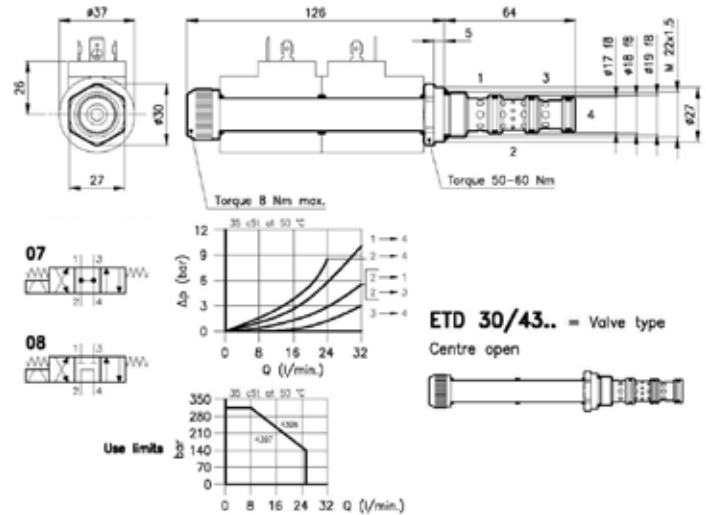
## ETD 50/43



CODE VB Parts	Cavity	Max flow (l/min.)	Max pressure way 1-2-3 (bar)	Max pressure way 4 (bar)	Response time (ms)	Max leakage (cm <sup>3</sup> /min)	Mass (kg)
VBH.800ETD50/4306	S 50/4	60	315	210	40 - 80	40	0,580
VBH.800ETD50/4309	S 50/4	60	315	210	40 - 80	40	0,580

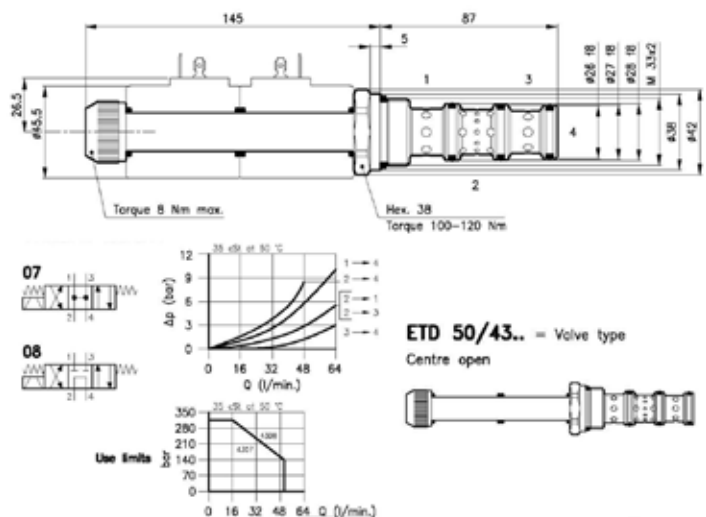
MAGNETVENTIEL - TYPE SPOEL - ELECTROVANNE - TYPE BOBINE

## ETD 30/43



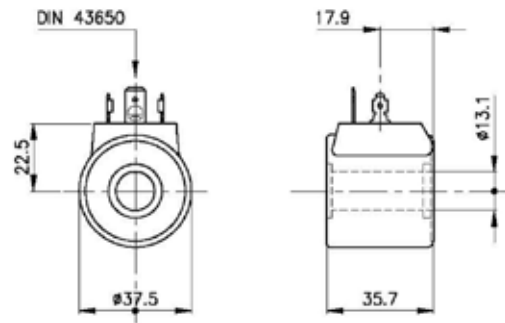
CODE VB Parts	Cavity	Max flow (l/min.)	Max pressure way 1-2-3 (bar)	Max pressure way 4 (bar)	Response time (ms)	Max leakage (cm <sup>3</sup> /min)	Mass (kg)
VBH.800ETD30/4308	S 30/4	25	315	210	30 - 60	25	0,310

## ETD 50/43



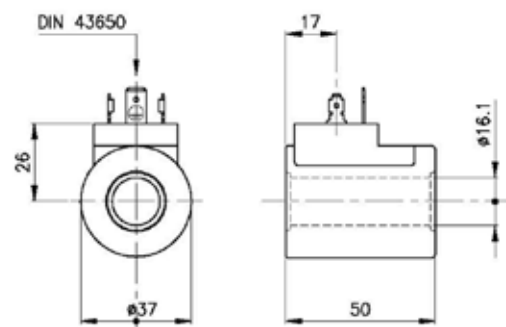
CODE VB Parts	Cavity	Max flow (l/min.)	Max pressure way 1-2-3 (bar)	Max pressure way 4 (bar)	Response time (ms)	Max leakage (cm <sup>3</sup> /min)	Mass (kg)
VBH.800ETD50/4308	S 50/4	45	315	210	40 - 80	40	0,580

## B20



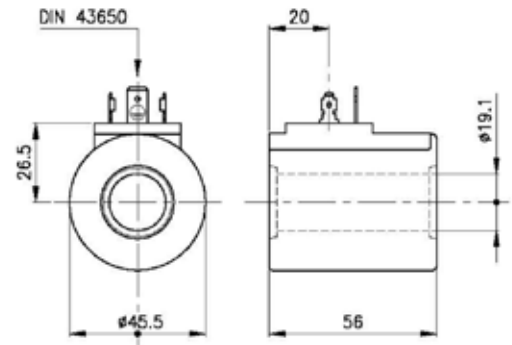
CODE VB Parts	Voeding	Power	Volt	Ampere	Ohm
VBH.820020.012	DC	18 Watt	12	1,5	8
VBH.820020.024	DC	18 Watt	24	0,75	32
VBH.820020.220	AC	18 Watt	194	0,09	2090

## B30



CODE VB Parts	Voeding	Power	Volt	Ampere	Ohm
VBH.820030.012	DC	28,5 Watt	12	2,37	5,05
VBH.820030.024	DC	28,5 Watt	24	1,19	20,2
VBH.820030.027	DC	28,5 Watt	27	1,05	25,6
VBH.820030.024AC	AC	28,5 Watt	19,4	1,46	13,2
VBH.820030.110	AC	28,5 Watt	96	0,3	323
VBH.820030.220	AC	28,5 Watt	194	0,15	1320

### B50

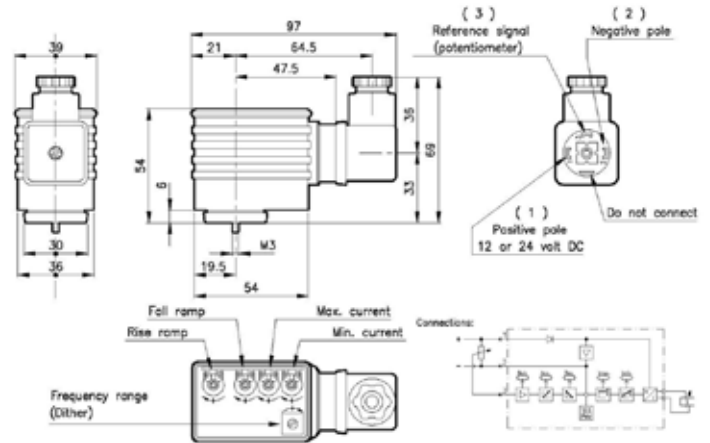


CODE VB Parts	Voeding	Power	Volt	Ampere	Ohm
VBH.820050.012	DC	33 Watt	12	2,75	4,36
VBH.820050.024	DC	33 Watt	24	1,38	17,45
VBH.820050.220	AC	33 Watt	194	0,17	1140,5



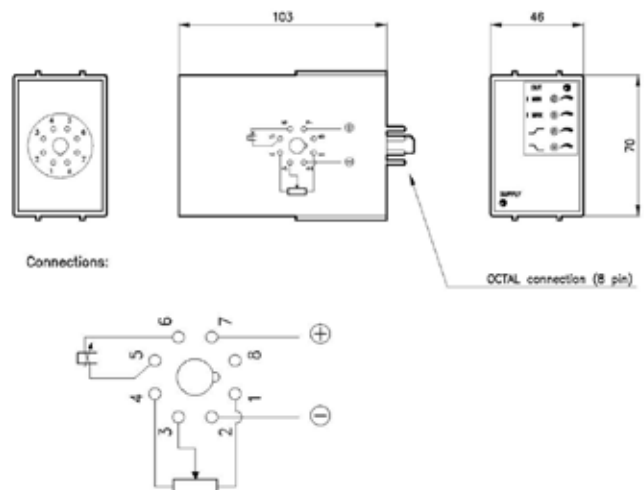
## ELEKTRONISCHE REGELAAR VOOR PROPORTIONELE MAGNEETVENTIELEN

### VPC



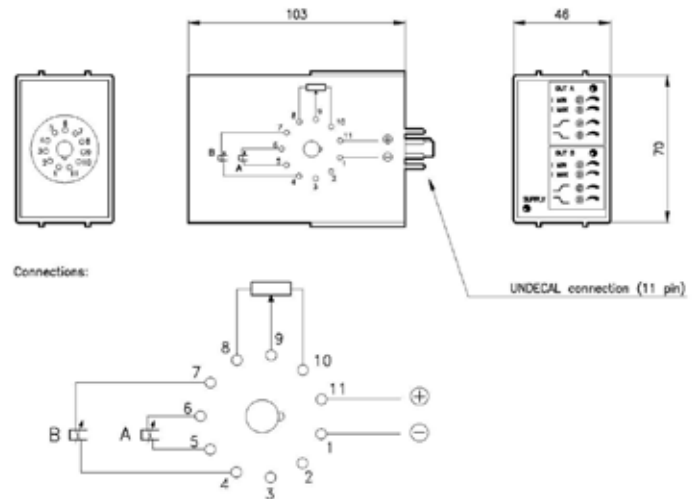
CODE VB Parts	Supply voltage	Reference signal (V)	Input Impedance (Kohm)	Maximum regulated current (A)	Minimum regulated current (A)
VBH.830100.06	12	0 - 5	100	0,4 - 2	0 - 0,6
CODE VB Parts	Rise ramp adjustment (sec.)	Fall ramp adjustment (sec.)	Frequency range (Hz)	Working room temp (°C)	
VBH.830100.06	0 - 3	0 - 3	50 - 400	-10 +50	

### FPO



CODE VB Parts	Supply voltage	Reference signal (V)	Maximum regulated current (A)	Supply for potentiometer	Rise ramp adjustment (sec.)	Fall ramp adjustment (sec.)	Frequency range (Hz)	Working room temp (°C)
VBH.830100.09	11 - 33	0 .. +5	2,5	+5	0 - 10	0 - 10	110 (+/- 5Hz)	-10 .. +60

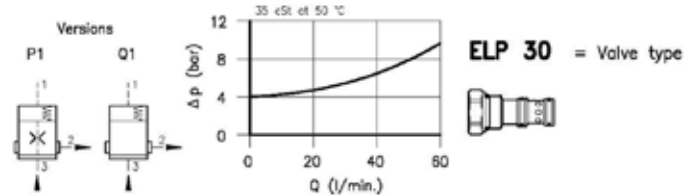
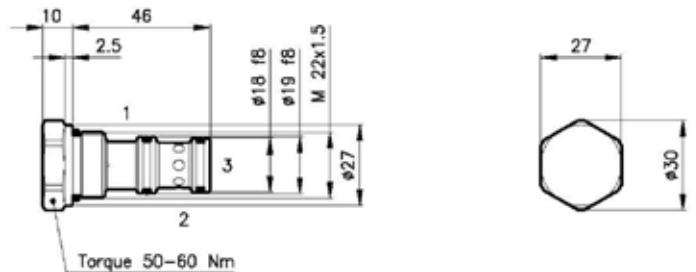
# FPO



CODE VB Parts	Supply voltage	Reference signal (V)	Maximum regulated current (A)	Supply for potentiometer	Rise ramp adjustment (sec.)	Fall ramp adjustment (sec.)	Frequency range (Hz)	Working room temp (°C)
VBH.830100.14	11 - 33	0 .. +5	2,5	+5 (max 10mA) -5 (max 5mA)	0 - 10	0 - 10	110 (+/- 5Hz)	-10 .. +60

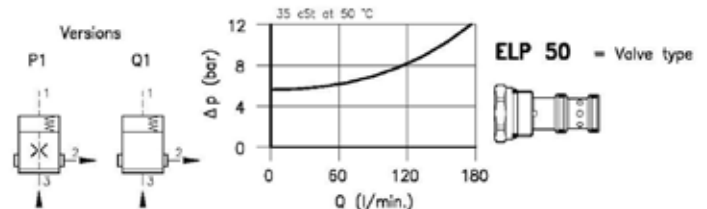
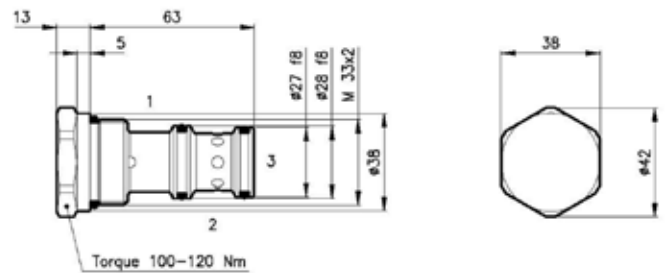
## LOGISCH VENTIEL - SOUPEPE DE LOGIQUE

### ELP 30/P1



CODE VB Parts	Cavity	Nominal flow (l/min)	Max pressure (bar)	Ratio between areas A1 / A3	Cracking pressure (bar)	Mass (kg)	Orifice diameter (mm)
VBH.800ELP30/P1	S 30/3	60	350	1:1	4	0,130	0,75

### ELP 50/P1



CODE VB Parts	Cavity	Nominal flow (l/min)	Max pressure (bar)	Ratio between areas A1 / A3	Cracking pressure (bar)	Mass (kg)	Orifice diameter (mm)
VBH.800ELP50/P1	S 50/3	160	350	1:1	6	0,260	0,75

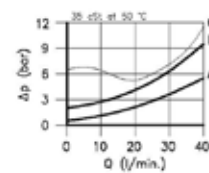
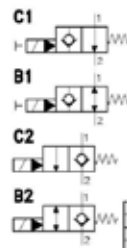
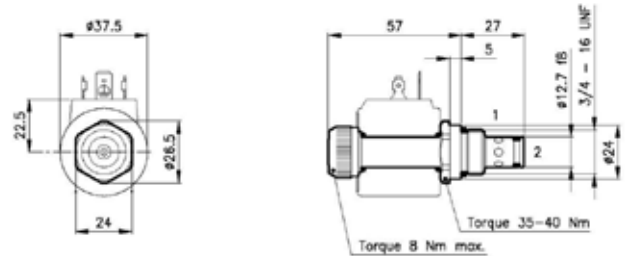


# Hydraulique



MAGNEETVENTIEL - TYPE POPPET - ELECTROVANNE - TYPE POPPET

## ECP 28/22



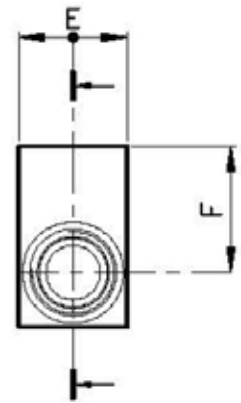
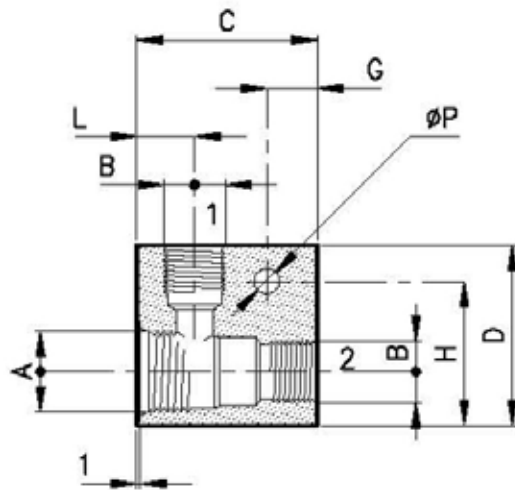
	22C1	22B1	22C2	22B2
1 → 2	On	On	not allowed	not allowed
2 → 1	not allowed	not allowed	not allowed	not allowed
1 → 3	On	On	not allowed	not allowed
3 → 1	not allowed	not allowed	not allowed	not allowed

ECP 28/22.. = Valve type



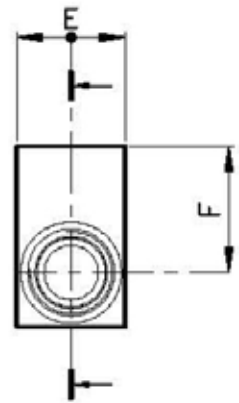
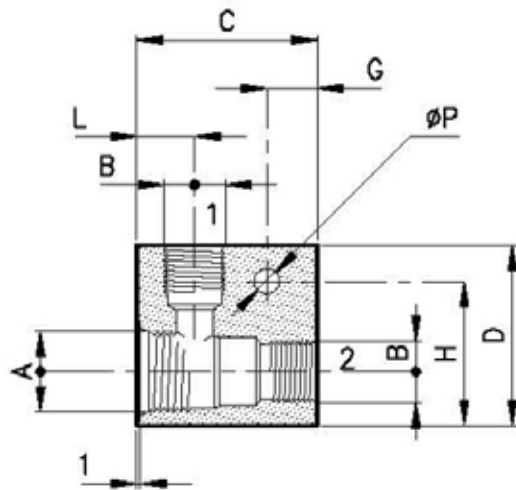
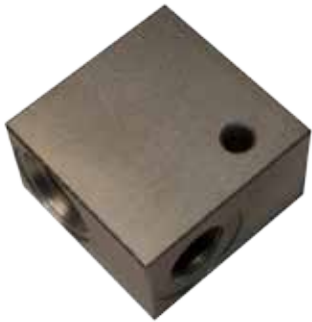
CODE VB Parts	Cavity	Max flow (l/min.)	Max pressure (bar)	Response time (ms)	Mass (kg)
VBH.800ECP28/22B1	S 28/2	30	210	80 - 120	0,120
VBH.800ECP28/22B2	S 28/2	30	210	80 - 120	0,120

## LO - 2 WAY



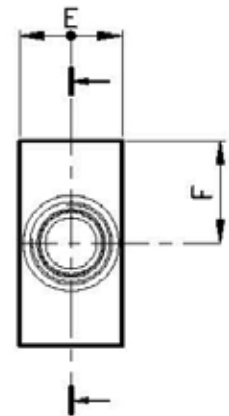
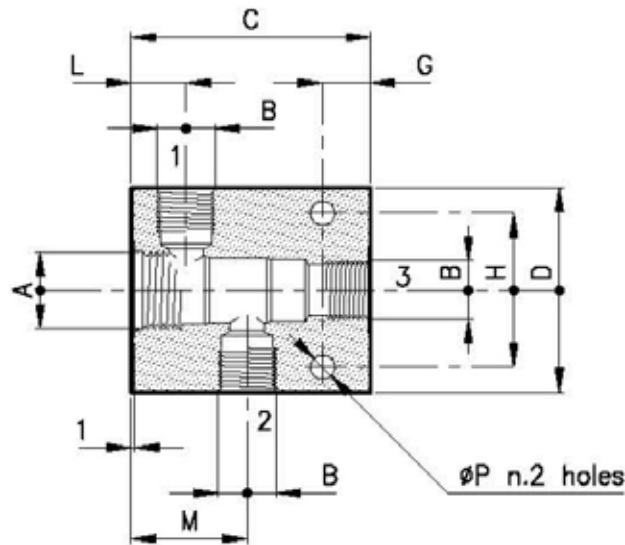
CODE VB Parts	Cavity	Ports	SERIES	A	B	C	D	E	F	G	H	L	P
VBH.81020-LO-B05	S 20/2	G 1/4	20	S 20/2 M 18X1,5	G 1/4	50	45	30	30	14	35	14	7
VBH.81020-LO-B06	S 20-2	G 3/8	20	S 20/2 M 18X1,5	G 3/8	50	45	30	30	14	35	14	7
VBH.81030-LO-B06	S 30/2	G 3/8	30	S 30/2 M 22X1,5	G 3/8	50	50	30	35	14	40	16	7
VBH.81030-LO-B08	S 30/2	G 1/2	30	S 30/2 M 22X1,5	G 1/2	50	50	30	35	14	40	16	7
VBH.81050-LO-B08	S 50/2	G 1/2	50	S 50/2 M 33X2	G 1/2	70	70	45	45	14	55	22	9
VBH.81050-LO-B12	S 50/2	G 3/4	50	S 50/2 M 33X2	G 3/4	70	70	45	45	14	55	22	9
VBH.81070-LO-B20	S 70/2	G 1.1/4	70	S 70/2 M42X2	G 1.1/4	90	90	60	60	30	70	27	10,5

## LO - 2 WAY STEEL



CODE VB Parts	Cavity	Ports	SERIES	A	B	C	D	E	F	G	H	L	P
VBH.81030-LO-B06FE	S 30/2	G 3/8	30	S 30/2 M 22X1,5	G 3/8	50	50	30	35	14	40	16	7
VBH.81030-LO-B08FE	S 30/2	G 1/2	30	S 30/2 M 22X1,5	G 1/2	50	50	30	35	14	40	16	7
VBH.81050-LO-B12FE	S 50/2	G 3/4	50	S 50/2 M 33X2	G 3/4	70	70	45	45	14	55	22	9

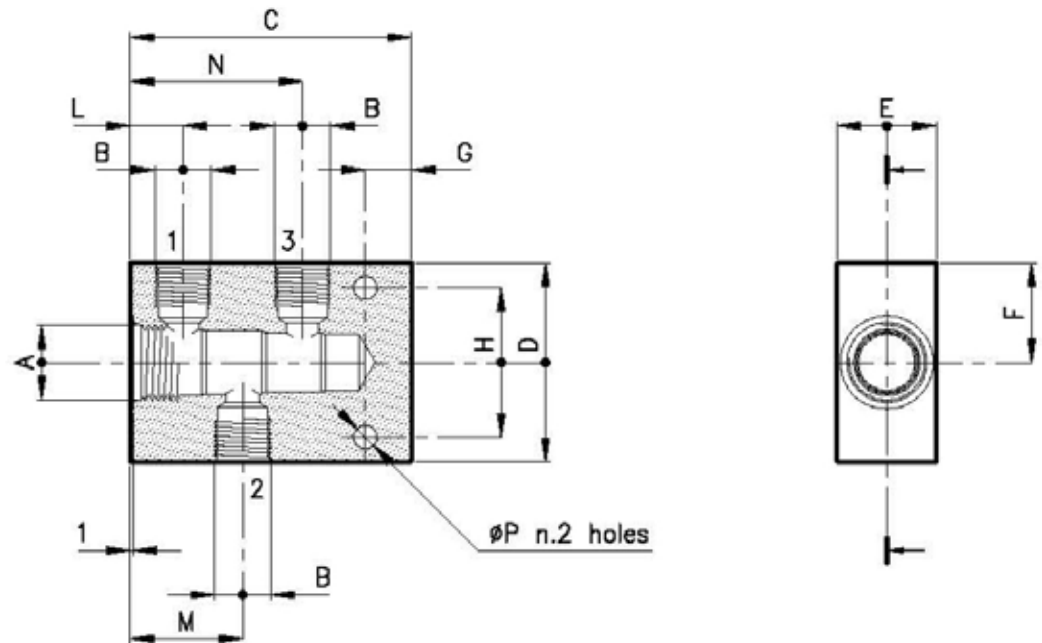
## C3 - 3 WAY



CODE VB Parts	Cavity	Ports	SERIES	A	B	C	D	E	F	G	H	L	M	P
VBH.81020-C3-Bo6	S 20/3	G 3/8	20	S 20/3 M 18X1,2	G 3/8	60	60	30	30	14	35	14	29	7
VBH.81030-C3-Bo6	S 30/3	G 3/8	30	S 30/3 M22X1,5	G 3/8	70	60	30	30	14	45	16	34	7
VBH.81030-C3-Bo8	S 30/3	G 1/2	30	S 30/3 M22X1,5	G 1/2	75	70	35	35	14	45	16	34	7
VBH.81050-C3-Bo8	S 50/3	G 1/2	50	S 50/3 M33X2	G 1/2	90	90	45	45	14	60	22	47	9
VBH.81050-C3-B12	S 50/3	G 3/4	50	S 50/3 M33X2	G 3/4	90	90	45	45	14	60	22	47	9

## O-RING SET

### C4 - 4 WAY



CODE VB Parts	Cavity	Ports	SERIES	A	B	C	D	E	F	G	H	L	M	N	P
VBH.81020-C4-Bo6	S 20/4	G 3/8	20	S 20/4 M18X1,5	G 3/8	74	60	30	30	14	35	14	29	44	7
VBH.81030-C4-Bo6	S 30/4	G 3/8	30	S 30/4 M22X1,5	G 3/8	85	60	30	30	14	45	16	34	52	7
VBH.81030-C4-Bo8	S 30/4	G 1/2	30	S 30/4 M22X1,5	G 1/2	90	70	35	35	14	45	16	34	52	7

OR



CODE VB Parts	Size
VBH.800OR20/2	20/2
VBH.800OR20/3	20/3
VBH.800OR30/2	30/2
VBH.800OR30/4	30/4
VBH.800OR70/2	70/2

**Hydrauliek**  
**Hydraulique**

