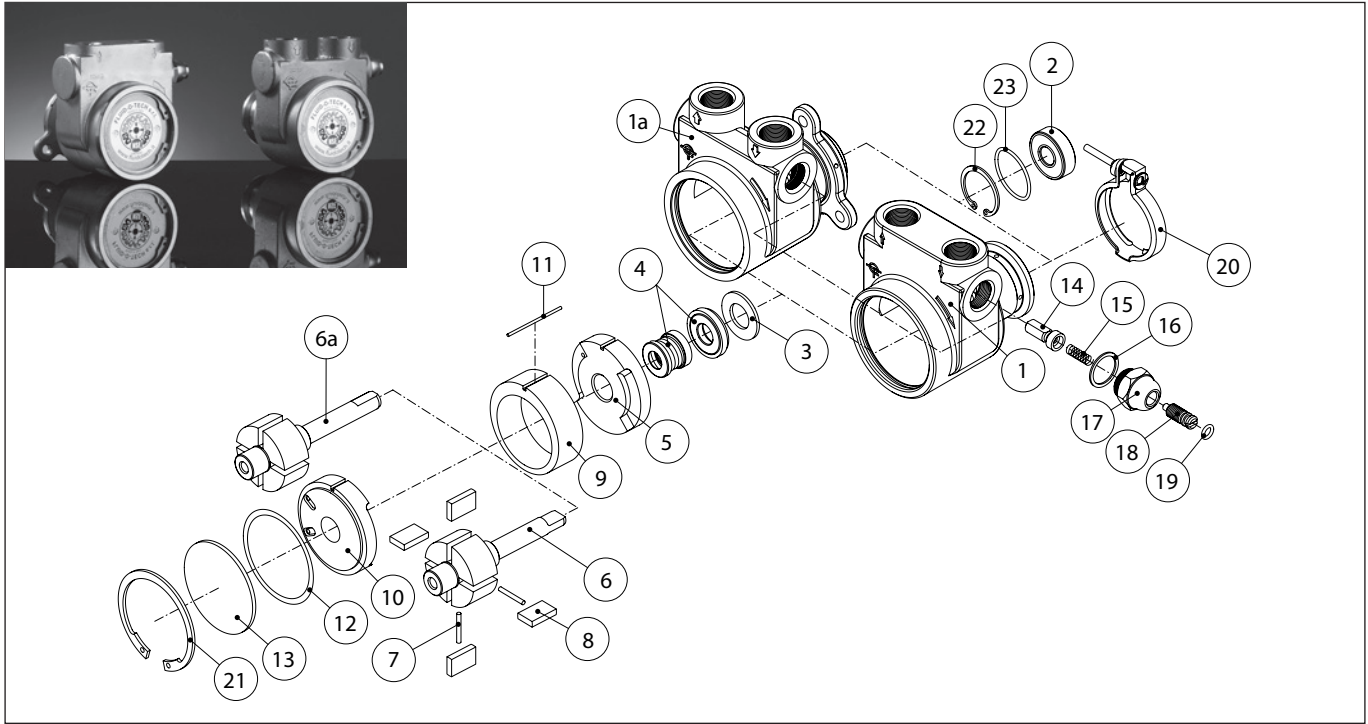


Brass and stainless steel rotary vane pumps PO 500-1000 series



| POS | DESCRIPTION | MATERIAL | CODE | NOTES |
|-----|--------------------------------|----------------|----------|-----------|
| 1 | HOUSING WITH BYPASS | BRASS | 28-01-02 | NPT PORTS |
| | | S.S. | 28-01-11 | NPT PORTS |
| 1A | HOUSING WITH BYPASS AND FLANGE | BRASS | 28-01-05 | NPT PORTS |
| | | S.S. | 28-01-14 | NPT PORTS |
| 2 | BALL BEARING | STEEL | 90-22-01 | |
| 3 | WASHER | S.S. | 22113 | |
| 4 | MECHANICAL SEAL | CERAMIC/NBR | 90-40-01 | NSF/WRAS |
| | | CERAMIC/VITON® | 90-40-03 | |
| | | CERAMIC/EPDM | 90-40-05 | |
| 5 | REAR FLANGE | GRAPHITE | 28-03-04 | |
| 6 | ROTOR | S.S. | 28-02-01 | |
| 6A | "D" ROTOR (FLANGE) | S.S. | 28-02-02 | |
| 7 | VANE PIN | S.S. | 28-07-08 | 500 l/h |
| | | | 28-07-09 | 600 l/h |
| | | | 28-07-10 | 700 l/h |
| | | | 28-07-11 | 800 l/h |
| | | | 28-07-12 | 900 l/h |
| | | | 28-07-13 | 1000 l/h |
| 8 | VANE | GRAPHITE | 28-04-02 | |
| | | | 28-05-10 | 500 l/h |
| 9 | LINER | GRAPHITE | 28-05-11 | 600 l/h |
| | | | 28-05-12 | 700 l/h |
| | | | 28-05-13 | 800 l/h |
| | | | 28-05-14 | 900 l/h |
| | | | 28-05-15 | 1000 l/h |

Brass and stainless steel rotary vane pumps PO 500-1000 series

| POS | DESCRIPTION | MATERIAL | CODE | NOTES |
|-----|----------------------|----------|----------|----------|
| 10 | FRONT FLANGE | GRAPHITE | 28-03-06 | |
| 11 | ALIGNMENT PIN | S.S. | 28-07-15 | |
| 12 | CAP O-RING | NBR | 90-23-93 | NSF/WRAS |
| | | VITON® | 90-23-95 | |
| | | EPDM | 90-23-94 | |
| 13 | CAP | S.S. | 28015 | |
| 14 | SOLID BYPASS VALVE | BRASS | 22-16-02 | |
| | | S.S. | 22-16-03 | |
| | | PLASTIC | 22-16-15 | |
| 15 | SPRING | S.S. | 22505 | |
| 16 | WASHER | NYLON® | 22-12-01 | NSF/WRAS |
| 17 | BYPASS NUT | BRASS | 22-20-01 | |
| | | S.S. | 22-20-04 | |
| 18 | BYPASS SCREW | BRASS | 28071 | |
| | | S.S. | 28072 | |
| 19 | BYPASS SCREW O-RING | NBR | 90-23-16 | NSF/WRAS |
| | | VITON® | 90-23-20 | |
| | | EPDM | 90-23-24 | |
| 20 | ASSEMBLED CLAMP | S.S. | 94-80-01 | |
| 21 | FRONT SEEGER CIRCLIP | STEEL | 28016 | |
| 22 | REAR SEEGER CIRCLIP | STEEL | 22083 | |
| 23 | O-RING | NBR | 90-23-26 | |

Fluid-o-Tech reserves the right to alter the specifications indicated in this catalogue at any time and without prior notice.

Fluid-o-Tech srl
Via Leonardo da Vinci, 40
20094 Corsico, Milano, Italy
Tel. +39 02 9995 01
Fax +39 02 9995 0999
info@fluidotech.it

Fluid-o-Tech Int'l Inc.
161 Atwater St.,
06479 Plantsville CT (USA)
Tel. +1 (860) 276 9270
Fax +1 (860) 620 0193
info@fluid-o-tech.com

Fluid-o-Tech Int'l Inc. Japan
201, 4-3-10, Todoroki,
Setagaya, Tokyo 158-082, Japan
Tel. +81 (0) (3) 6432 1812
Fax +81 (0) (3) 6432 1813
erkkato@fluidotech.jp

Fluid-o-Tech Asia (Shanghai) Co., Ltd.
2/F, Factory building 6 (1), No. 258, Zhijiang Road,
Fengxian District, Shanghai City, Z.P.: 201499 China
Tel. +86 (021) 67100 838
Fax +86 (021) 67100 605
info@fluidotech-asia.com