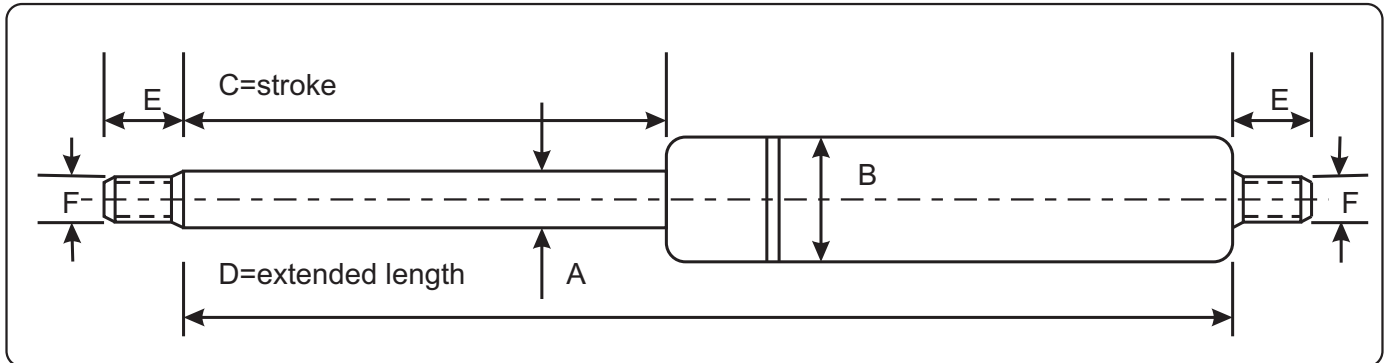


AIRAX gas push springs type 10/22 -14/28



part number	type	A	B	C	D	E	F	deliverable extendible F1 from/to
512.420	10/22	10	22	100	255	12,5	M 8	150-1150 Newton
512.421				150	355			150-1150 Newton
512.422				200	455			150-1100 Newton
512.423				250	555			150-1075 Newton
512.424				300	655			150-1050 Newton
512.425				350	755			150-1000 Newton
512.426				400	855			150-0900 Newton
512.427				500	1055			150-0800 Newton
540.407	14/28	14	28	100	255	12,5	M 8	250-2100 Newton
540.427				150	355			250-2100 Newton
540.400				200	455			250-2100 Newton
540.402				250	555			250-2100 Newton
540.401				300	655			250-2100 Newton
540.412				325	705			250-2100 Newton
540.403				350	755			250-2100 Newton
540.404				400	855			250-1900 Newton
540.413				450	955			250-1900 Newton
540.405				500	1055			250-1900 Newton

F1 = the extendible force measured at 5 mm inward piston rod.

For fastening accessories see the applicable pages.