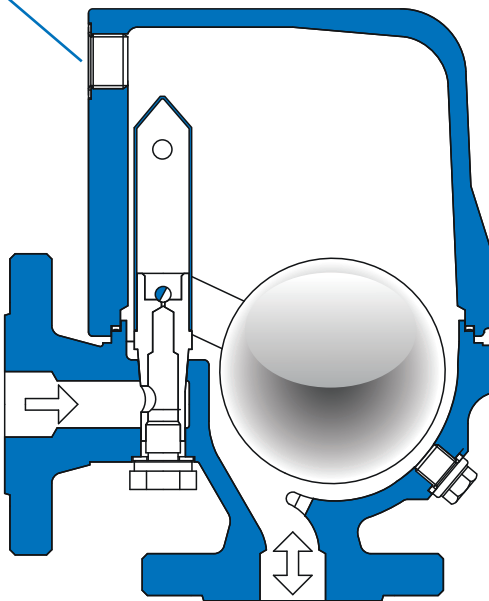
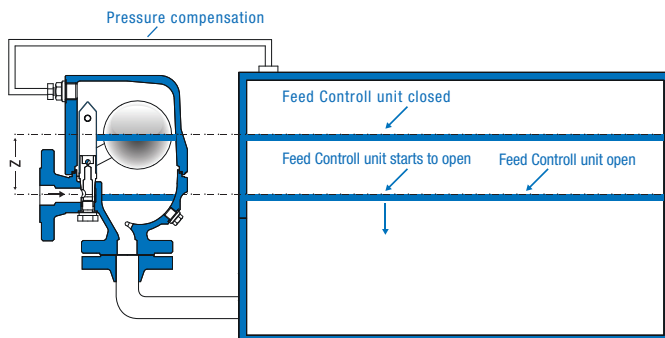
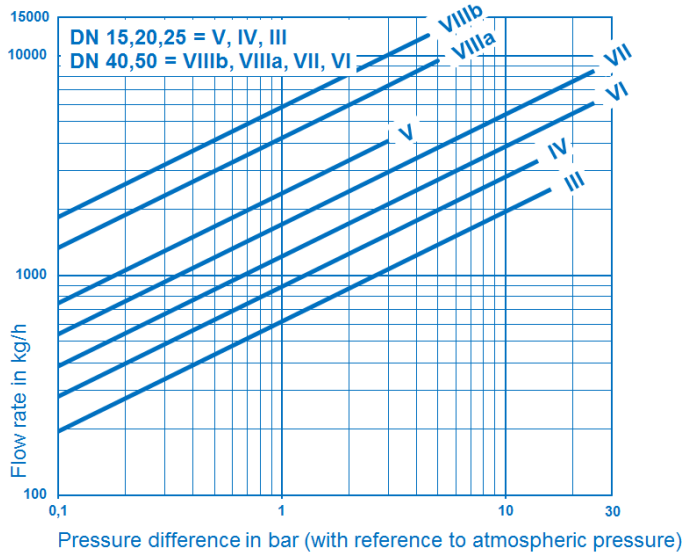


Connection for pressure compensation


Figure 1: Model EF-1180 utilized as Feed Control Unit

Performance:

Figure 2: Installation

Housing Material: EN-JS 1049

Connections: Flange connecting dimensions DN15, 20, 25, 40, 50 acc. to DIN EN 1092-2.

- Flange connecting dimensions for ½"-2" acc. to ANSI Class 150.
- Flange connecting dimensions ½" and ¾" acc. to ANSI Class 300.

Nominal pressure stage: PN 25

Operation-limits:

max. operating pressure in bar	25
max. operating temperature °C	-10 / 100

Media: Cold water, operating fluids.

Function: Rising level closes and falling level opens supply flow without delay, independent of pressure and temperature fluctuations.

Special characteristics: Only one movable point since the rotary-slide-valve is both swivel joint and shut-off-device.

Installation: As shown in figures 1 and 2.

Additional equipment against extra price:

- Threaded port G 1/2" for pressure compensating line
- Control with special cross-section V
- Control with special cross-section VIII a and VIII b

Funktion-limit:

Flood control Cross-section	max. line pressure in bar g	Dimension Z in mm
III	16	approx. 90
IV	14	approx. 90
V	0	approx. 110
VI	/2	approx. 120
VII	/2	approx. 120
VIII a	5	approx. 120
VIII b	4,5	approx. 120

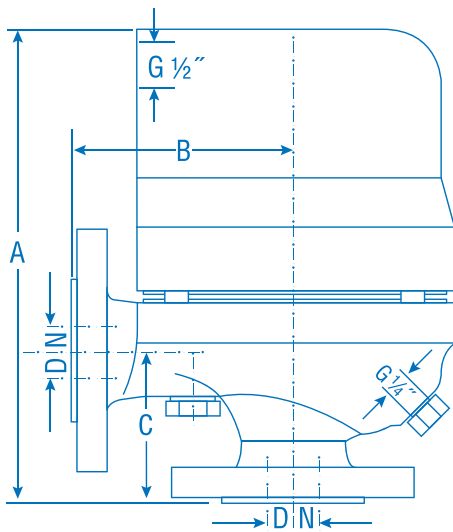
CE - Mark:

The pressure equipment described is a pressure-keeping component in accordance with the Pressure Vessel Directive 2014/68/EU.

DN 40/50: Conformity verified through the identifying mark CE 0525, DN 15-25: acc. art.4, sub.3, no CE-Mark.

Please state the following when making inquiries/placing orders:

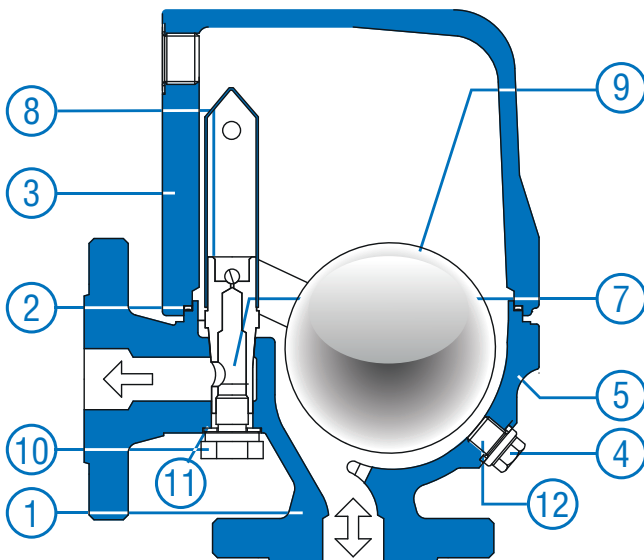
Medium, density, initial pressure, counter-pressure, temperature, quantity of condensation (kg/hr).



Dimensions (in mm), Weight (in kg)

DN	15	20	25	40	50
A	225	225	225	330	330
B	110	110	110	160	160
C	75	75	75	110	110
Weight	9	10,5	11	26	27

Spare Parts



- 1 **Lower housing:** EN-JS 1049
- 2 **Housing seal:** Cu or soft iron
- 3 **Upper housing:** EN-JS 1049
- 4 **Control screw:** SS 1.4104
- 5 **Set of hexagonal bolts with nuts:** ISO 4032 DIN 931 / DIN 934 (not visible)
- 7 **Float control assembly including support:** SS 1.4057/1.4112/1.4301/1.4104/1.4541 or 1.4571*
- 8 **Support assembly with rotary valve and cotter pin**:** SS 1.4057/1.4301/1.4104/1.4112/1.4541 oder 1.4571*
- 9 **Float and lever:** SS 1.4301 or 1.4571*
- 10 **Supporting screw:** SS 1.4104 (1.4571)*
- 11 **Gasket:** Cu or soft iron
- 1 **Gasket:** Cu or soft iron

* Depends on operating conditions.

** Due to sealing requirements, marked items cannot be supplied as individual parts.

To ensure correct parts delivery, specify part number, works standard sheet number, DN and for control components the cross-section, which is to find at the supporting screw.