



ACP&D Limited

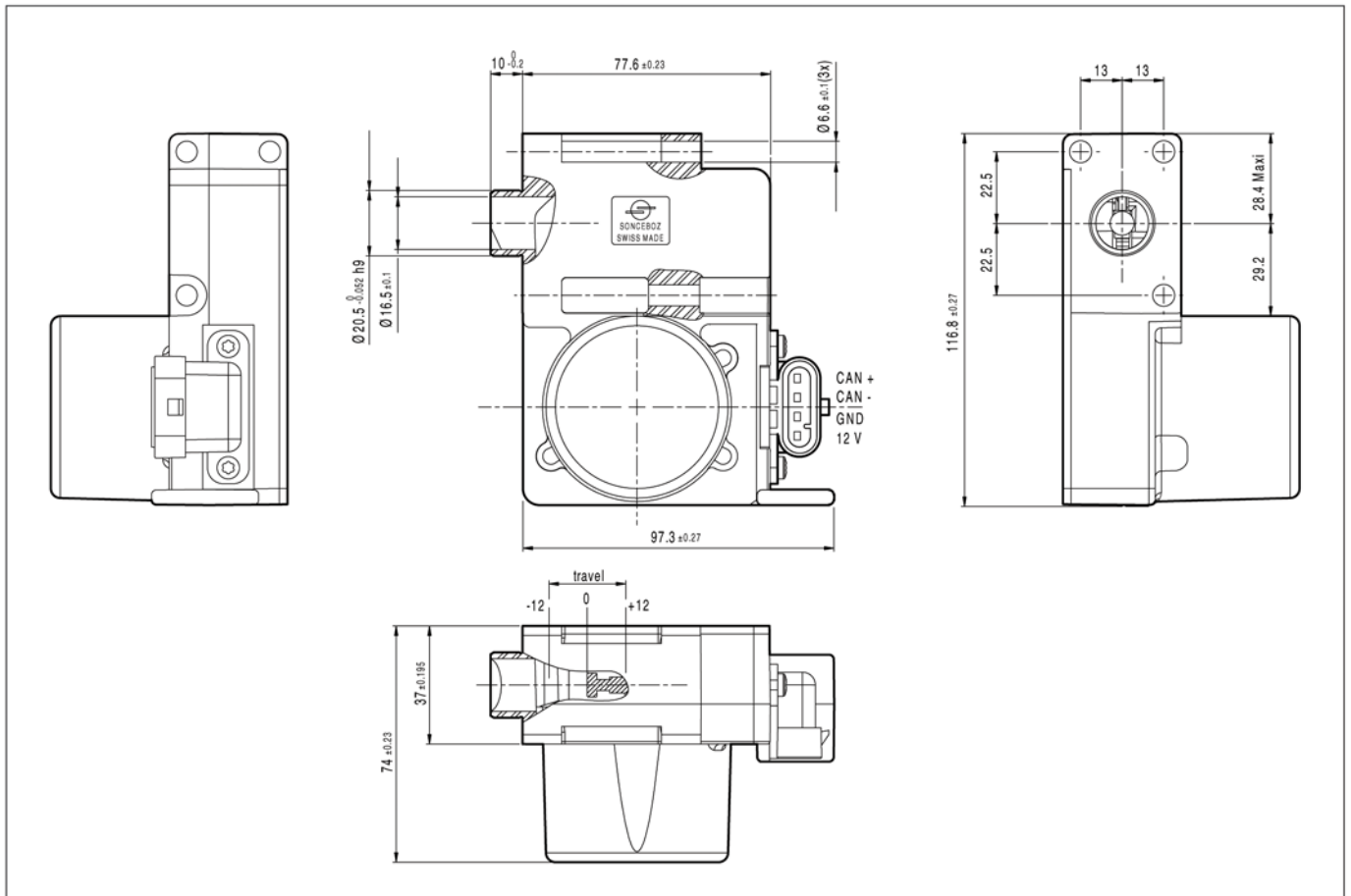
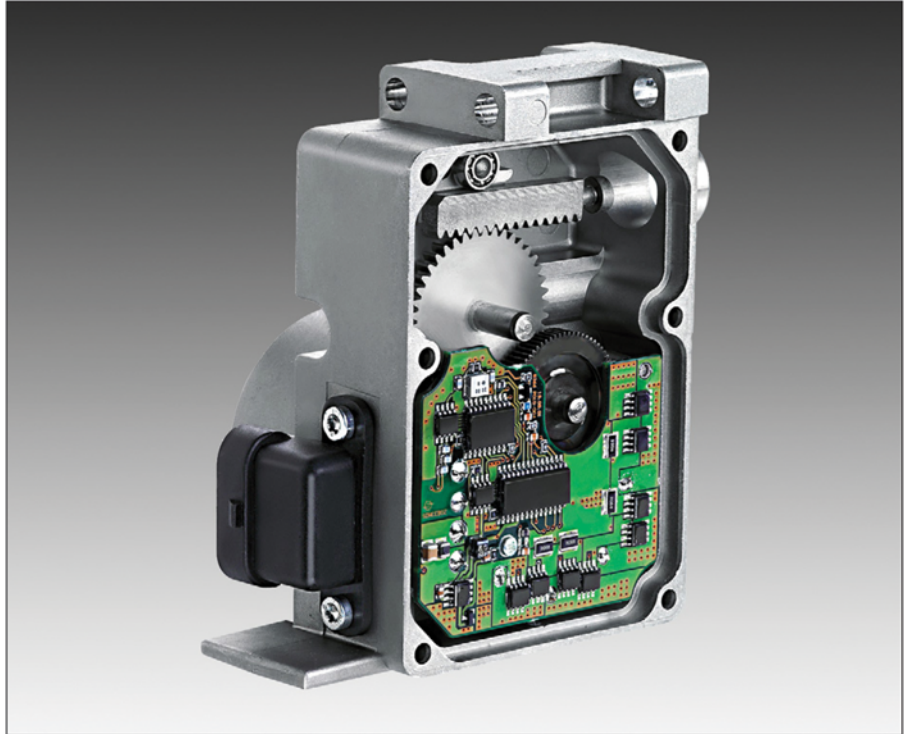


SONCEBOZ

The driving force

**8366
Actuator for
Hydraulic Valves**

- Direct actuation of the main spool
- No pilot valve required
- Hysteresis-free
- High stiffness
- High resolution
- CAN Bus integrated



Solution concept

The new stepping motor based mechatronic control for hydraulic directional valves offers different advantageous features compared with the classic approach of proportional magnets:

Features	Benefits
Motor driven system	High forces and long travels
Position controlled system	Negligible hysteresis
High torque	Cost-effective direct actuation without pilot valve No additional hydraulic control circuit
High holding torque	Very high stiffness and immunity against vibrations
Bi-rotational	Only 1 motor necessary for two directions
High resolution	Fine positioning and smooth movement
Brushless system	No maintenance, long life time
Pure digital function	Easy and fast commissioning
High efficiency	Energy saving

Technical data

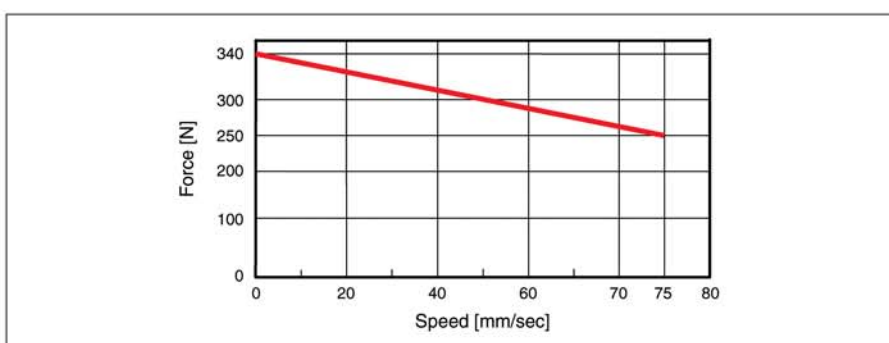
Residual Force	< 40 N
Travel	± 12 mm
Resolution	0.02 mm / incr.
Integrated Electronics	Driver, CAN 2.0B
Supply voltage	9 ... 16 VDC
Operational temperature	-25 ... +85°C
Max. axial play after life time	< 0.25 mm
Protection degree	IP 67
EMC	ISO 14982
Vibration	IEC 68-2

Options

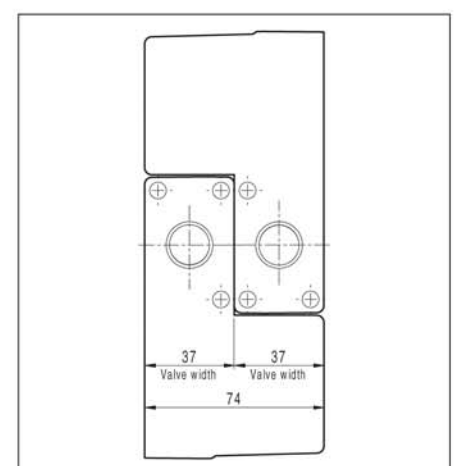
Dedicated solutions for OEM customers with the following features may be realized:

- Specific CAN Protocols (e.g. ISO BUS)
- Bus Interface based on other physical layer (e.g. RS 485)
- Control interface for analog ±10 V, 0-10 V or PWM Signal
- Integrated position sensor
- Smart software functions

Force diagram



Valve assembly



ACP&D Limited
Units 6 & 9A,
Charlestown Industrial Estate,
Robinson Street,
Ashton-under-Lyne,
Lancashire, OL6 8NS.

Tel: +44 (0)161 343 1884
Fax: +44 (0)161 339 0650
e-mail: sales@acpd.co.uk
Websites: www.acpd.com &
www.acpd.co.uk



SONCEBOZ
The driving force