

POWER TRAIN SOLUTIONS

WVSA 240 - 1540

FORTJES®

WAF/LAF 665 - 1963

VLJ 430 - 930

DIGITALIZATION

SERVICE

WVS/WLS 234-1 - 430-1

ROPAX

SVA/SVAL 630 - 1400  
DLG 1113 - 110131

INDUSTRY 4.0

SALES

WAF/LAF 164 - 573

VA 2451 - 4855

WORK BOATS

COASTGUARD FAST FERRIES

REINTJES HYBRID SYSTEM 60-630

# PRODUCT GUIDE 2018

WAF/LAF

DREDGERS FISHING VESSEL

GEARBOXES WAF/LAF 2346 - 7760  
RDG/RDGL 200 - 800

MARINE



**REINTJES**

**POWER TRAIN SOLUTIONS**

# Index

## Table of Contents

<b>Type Selection and Typical Marine Applications</b> .....	<b>4 – 5</b>
<b>Type Classification</b> .....	<b>6 – 9</b>
<b>Important Notes</b> .....	<b>10</b>
<b>Marine Duty Cycle Classifications</b> .....	<b>11</b>
<b>REINTJES Gearboxes</b> .....	<b>12 – 241</b>
<b>Continuous Duty</b> .....	<b>12 – 161</b>
WAF 164L – 572L .....	12
WAF 164 – 572 .....	18
WAF 665L – 1963L .....	28
WAF/LAF 665 – 1963 .....	34
WGF/LGF 562 – 7760 .....	42
WGV 482 – 1100 .....	58
LAF 665L – 1963L .....	62
LAF 665 – 1963 .....	72
VLJ 1130 – 2230 .....	80
WAF 2346 – 7760 .....	82
LAF 2346 – 7760 .....	90
VA 2451 – 4945 .....	112
SVA 630 – 1200 .....	122
SVAL 850 – 1250 .....	152
DLG 1113 – 110131 .....	164
VLJ 4431 – 7541 .....	168
RDG/RDGL for dredging pump .....	173
<b>Medium Duty</b> .....	<b>174 – 199</b>
WAF/LAF 164 – 572 .....	174
WVS/WLS 234/1 – 430/1 .....	182
WVS/WLS 730/1L – 1130L .....	184
WVS/WLS 730/1 – 2240 .....	186
WVSA 740 – 1540 .....	192
ZWVS 440 .....	194
VLJ 430 .....	196
VLJ 730/1 – 930/1 .....	198

<b>Light Duty</b> .....	<b>200 – 221</b>
WAF/LAF 164 – 572 .....	200
WVS/WLS 234 – 430 .....	208
WVS/WLS 730/1L – 1130L .....	210
WVS/WLS 730/1 – 2240 .....	212
WVSA 740 – 1540 .....	218
VLJ 730/1 – 930/1 .....	220
<b>Pleasure Duty</b> .....	<b>222 – 241</b>
WAF/LAF 164 – 572 .....	222
WVS/WLS 234/1 – 430/1 .....	230
WVS/WLS 730/1L – 1130L .....	232
WVS/WLS 730/1 – 2240 .....	234
WVSA 740 – 1540 .....	238
VLJ 730/1 – 930/1 .....	240
<b>REINTJES Hybrid Systems</b> .....	<b>242 – 257</b>
WAF/LAF 665 – 1143 HS (Hybrid System) .....	242
WAF/LAF 344 – 573 HS (Hybrid System) .....	248
WVS/WLS 730 – 930 HS (Hybrid System) .....	252
<b>REINTJES Propulsion Systems</b> .....	<b>258 – 266</b>
RPDF 3000 – 5000 (FORTJES®) .....	258
Navy Applications .....	264
Marine Packages .....	266

This document and the technical data contained herein are subject to technical modifications and are non-binding. The data serve informational purposes and cannot be guaranteed in any way. In addition, our gearboxes will be assessed and determined individually for each project. This is necessary due to differing characteristics of each project like specific site and operational conditions. If this document is delivered in another language than English and in case of divergences of interpretation between the different language texts, the English text shall prevail.

Gearbox standard design dry. Following lists only show an extract of gearboxes available. Additional sizes, offset configurations and variations are available on request.



# Type Selection

## REINTJES Gearboxes

### Reverse reduction gearbox with clutch

- WVS
- WVS/U
- WVSA (Down Angle)
- WAF
- WGV (coaxial)
- WGF (partly vertical offset)

### Reduction gearbox with clutch

- WLS
- WLS/U
- VLJ
- LAF
- LGF
- SVAL (slide bearings)

### Reduction gearbox without clutch

- AF
- VA
- SVA (slide bearings)

### Reverse reduction two-speed-gearbox with clutch

- ZWVS
- ZWAF

### Reduction two-speed-gearbox with clutch

- ZLAF (roller bearings)
- ZSVAL (slide bearings)

### Twin input/single output reduction gearbox with hydraulically operated clutches

- DLG
- DLGF

### Twin input/single output reduction gearbox without clutch

- DUG

## REINTJES Hybrid Systems

### Reverse reduction gearbox with hydraulically operated clutches, electric motor, elastic coupling and frequency converter (Hybrid System)

- RHS

## REINTJES Propulsion Systems

### Reduction gearbox with or without clutch for dredging pump

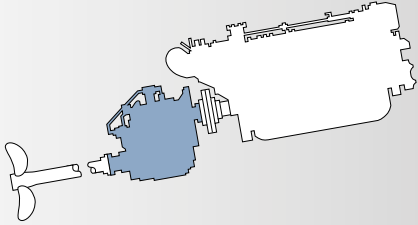
- RDG
- RDGL

### Non-steerable pod with counter rotating propellers and integrated reverse reduction gearbox with hydraulically operated clutches (FORTJES®)

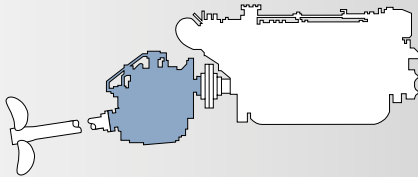
- RPD
- RPDF

## Typical Marine Applications

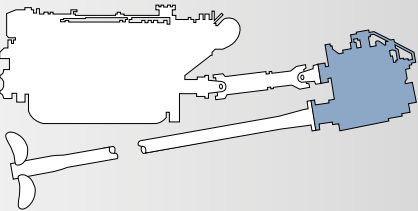
**Parallel Shaft**



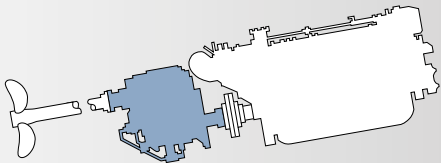
**Down Angle**



**U-Drive**



**UEK  
(output shaft  
above input shaft)**



# Type Classification

## REINTJES Product Portfolio

### ■ WAF

Wendeuntersetzungsgetriebe  
(reverse reduction gearbox)

Achsversetzt  
(shafts offset)

AnElanschführung  
(version with flange)

### ■ LAF

Untersetzungsgetriebe  
mit Lamellenkupplung  
(reduction gearbox with disc clutch)

Achsversetzt  
(shafts offset)

AnElanschführung  
(version with flange)

### ■ ZWAF

Zweigang-Wendeuntersetzungsgetriebe  
(two-speed reverse reduction gearbox)

Achsversetzt  
(shafts offset)

AnElanschführung  
(version with flange)

### ■ ZLAF

Zweigang-Untersetzungsgetriebe  
(two-speed reduction gearbox)

mit Lamellenkupplung  
(with disc clutch)

Achsversetzt  
(shafts offset)

AnElanschführung  
(version with flange)

### ■ WGF

WendeuntersetzungsGetriebe aus WAF  
(reverse reduction gearbox derived  
from WAF)

Vorsatzstufe angeElanscht  
(flange-connected housing for two-step  
gearbox)

### ■ LGF

Untersetzungsgetriebe mit  
Lamellenkupplung  
(reduction gearbox with disc clutch)

ähnlich WGF  
(like WGF)

Vorsatzstufe angeElanscht  
(flange-connected housing for two-step  
gearboxes)

### ■ WGV

Wendeuntersetzungsgetriebe  
(reverse reduction gearbox)

Gleichachsig  
(co-axial shaft arrangement)

Zwischenwellen Versetzt  
(intermediate shafts offset)

### ■ DLG

Doppeluntersetzungsgetriebe  
(twin input/single output reduction gearbox)

mit Lamellenkupplung  
(with disc clutch)

Gleiche Höhe  
(same height of the input shafts)

### ■ DUG

DoppelUntersetzungsgetriebe  
(twin input/single output reduction gearbox)

Horizontal, gleiche Höhe  
(horizontal, equal height)

### ■ VA

Untersetzungsgetriebe für Verstellpro-  
peller  
(reduction gearbox for controllable pitch  
propeller)

Achsversetzt  
(shafts offset)

### ■ SVA

Untersetzungsgetriebe mit  
„Slide bearings“  
(reduction gearbox with slide bearings)

Verstellpropeller  
(for controllable pitch propeller)

Achsversetzt  
(shafts offset)

## ■ SVAL

Untersetzungsgetriebe mit „Slide bearings“  
(reduction gearbox with slide bearings)

Verstellpropeller  
(for controllable pitch propeller)

Achsversetzt  
(shafts offset)

mit Lamellenkupplung  
(with disc clutch)

## ■ ZSVAL

Zweigang-Untersetzungsgetriebe  
(two-speed reduction gearbox)

Slide bearings  
(slide bearings)

Verstellpropeller  
(for controllable pitch propeller)

Achsversetzt  
(shafts offset)

mit Lamellenkupplung  
(with disc clutch)

## ■ VLJ

AchsVersetztes Untersetzungsgetriebe  
(reduction gearbox with offset shafts)

mit Lamellenkupplung  
(with disc clutch)

für WaterJet  
(for water-jet)

## ■ DVLJ

Doppeluntersetzungsgetriebe  
(twin input/single output reduction gearbox)

AchsVersetzt  
(shafts offset)

mit Lamellenkupplung  
(with disc clutch)

für WaterJet  
(for water-jet)

## ■ WVS

Wendeuntersetzungsgetriebe  
(reverse reduction gearbox)

AchsVersetzt  
(shafts offset)

für Schnelle Schiffe  
(for fast vessels)

## ■ WLS

Untersetzungsgetriebe aus WVS  
(reduction gearbox derived from WVS)

mit Lamellenkupplung  
(with disc clutch)

## ■ ZWVS

Zweigang-Wendeuntersetzungsgetriebe  
aus WVS  
(two-speed reverse reduction gearbox  
derived from WVS)

## ■ WVSA

WVS in Down-Angle-Ausführung  
(WVS in down angle design)

## ■ RDG

REINTJES Dredging Gearbox  
(REINTJES Dredging Gearbox)

## ■ RDGL

REINTJES Dredging Gearbox  
(REINTJES Dredging Gearbox)

mit Lamellenkupplung  
(with disc clutch)

## ■ RPDF (FORTJES)

REINTJES Pod Drive  
(REINTJES Pod Drive)

für Freizeitwendungen  
(for pleasure craft)

## ■ RHS

REINTJES Hybrid Systeme  
(REINTJES Hybrid Systems)

## ■ RTG

REINTJES Trbo Getriebe  
(REINTJES High Speed Gearbox)

# Type Classification

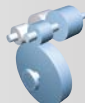
## Typical Marine Applications

### WAF Series

Reverse-reduction gearbox for propulsion with built in clutch and fixed pitch propeller

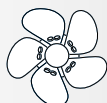


Counter or identical rotation of input and output as standard

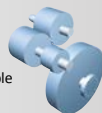


### LAF Series

Reduction gearbox for propulsion with built in clutch and controllable pitch propeller



Counter rotation of input and output as standard, identical rotation available as option



### WVS Series

Reverse-reduction gearbox for propulsion with fixed pitch propeller



Input and output on opposite sides



Input and output on the same side



### WLS Series

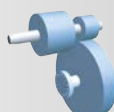
Reduction gearbox for propulsion with controllable pitch propeller



Input and output on opposite sides

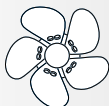


Input and output on the same side



### DLG Series

Twin input/single output reduction gearbox for propulsion with controllable pitch propeller

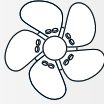


Counter rotation of input and output



## SVA Series

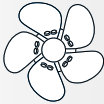
Reduction gearbox for propulsion with controllable pitch propeller



Counter rotation of input and output

## SVAL Series

Reduction gearbox with built in clutch for propulsion with controllable pitch propeller



Counter rotation of input and output

## VLJ Series

Reduction gear for water jet propulsion

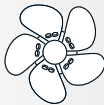


Vertically and horizontally offset available



## VA Series

Reduction gearbox for propulsion with controllable pitch propeller



Counter rotation of input and output

# Important Notes

## REINTJES Marine Gearboxes

### Warranty

The marine gearboxes are subject to the standard REINTJES warranty conditions. Modifications of the gearbox are only permissible in consultation with REINTJES.

### Torsional Responsibility

The torsional couplings are selected according to engine torque. In the event that different couplings are required as a result of the torsional vibration calculation, the costs for this change will be for the purchaser's account. Torsional vibration analysis can be made by the engine builders, independent consultants etc. The responsibility for ensuring torsional compatibility of the propulsion system rests with the assembler of the equipment. REINTJES cannot be held liable for damages due to inadmissible high alternating moments on the units supplied by us. These will disengage us from any warranty agreement.

### Ratings

Ratings are for diesel engines only, at the rated speeds. The models, ratings, text, and data contained in this publication are subject to change without prior notice. REINTJES considers standard rotation engines to be counter-clockwise (ccw) in rotation, when viewed onto the flywheel end. Please advise REINTJES of engine rotation prior to gearbox selection.

### Safety Information

The majority of accidents which occur during operation, maintenance, and repair are caused by failure to observe basic safety rules and accident-prevention precautions. Accidents can often be avoided by correct assessment of potentially hazardous situations. The operating personnel must, at all times, be alert to potential hazards. Furthermore, they must be fully trained, skilled operators provided with the necessary tools and equipment required to perform these functions correctly. Supplementary to the operating manual, all generally valid legal and other binding regulations for accident prevention and pollution control have to be observed and adhered to.

### Classification

Classification ratings are available on request.

### Options

Information regarding options, trolling propulsion system, such as PTO etc are available on separate product sheets.

## Marine Duty Cycle Classifications

C

### Continuous Duty

Continuous operation with little or no variations in engine speed and power.

Average engine operating hours limit: unlimited.

Allowable hull forms: displacement.

Allowable applications: commercial vessels.

M

### Medium Duty

Intermittent operation with some variations in engine speed and power.

Average engine operating hours limit: 4,000 hours/year.

Allowable hull forms: planing, semi-planing, displacement, catamaran.

Allowable applications: private, charter, commercial craft (example: crew boats, high speed ferries), Navy and Governmental ships.

L

### Light Duty

Intermittent operation with large variations in engine speed and power.

Average engine operating hours limit: 2,500 hours/year.

Allowable hull forms: planing, semi-planing, displacement.

Allowable applications: private, charter, sport and pleasure craft, Navy and Governmental ships.

P

### Pleasure Duty

Intermittent operation with very large variations in engine speed and power.

Average engine operating hours limit: 500 hours/year.

Allowable hull forms: planing, semiplaning.

Allowable applications: private, noncommercial, noncharter, sport and leisure activities.

# Continuous Duty

## WAF 164L – 274L



Product brochure

■ Special ratio available on request

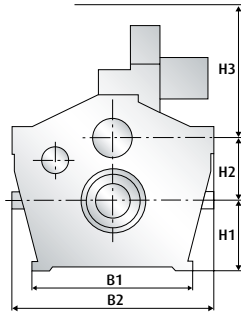
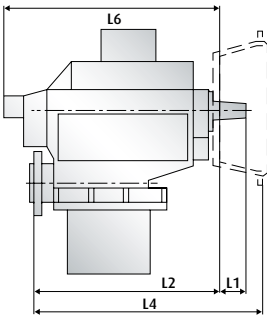
### Main Dimensions mm (Vertical offset configuration)

Model	B1	B2	H1	H2	H3
<b>WAF 164L</b>	505	660	315	290	370
<b>WAF 244L</b>	530	640	240	215	355
<b>WAF 264L</b>	540	670	345	315	365
<b>WAF 274L</b>					

**C**

kW/rpm	BHP	(KW)	BHP	(KW)	BHP	(KW)
<b>WAF 164L</b>	1200 rpm		1600 rpm		1800 rpm	
0,20	322	(240)	429	(320)	482	(360)
0,16	257	(192)	343	(256)	386	(288)
<b>WAF 244L</b>	1200 rpm		1600 rpm		1800 rpm	
0,25	402	(300)	536	(400)	603	(450)
0,23	370	(276)	493	(368)	555	(414)
0,21	338	(252)	450	(336)	507	(378)
<b>WAF 264L</b>	1200 rpm		1600 rpm		1800 rpm	
0,25	402	(300)	536	(400)	603	(450)
0,22	354	(264)	472	(352)	531	(396)
<b>WAF 274L</b>	1200 rpm		1600 rpm		1800 rpm	
0,25	402	(300)	536	(400)	603	(450)
0,24	386	(288)	515	(384)	579	(432)

Dry weight including all accessories.



L1	L2	L4 SAE 1	L4 SAE 0	L4 SAE 00	L6
70	595	-	655	-	685
70	560	-	625	-	685
70	595	-	660	-	685

on request

**WEIGHT**
**REDUCTION RATIOS**

kg (lbs)

525	(1155)	4,560; 5,044
525	(1155)	5,950
455	(1001)	1,343; 2,538; 2,957
455	(1001)	3,522
455	(1001)	3,952
700	(1540)	4,083; 4,500; 5,050
700	(1540)	5,800
725	(1595)	6,115; 7,044
725	(1595)	7,409

# Continuous Duty

## WAF 344L – 444L



Product brochure

- Special ratio available on request
- Available as hybrid ready on request

### Main Dimensions mm (Vertically offset configuration)

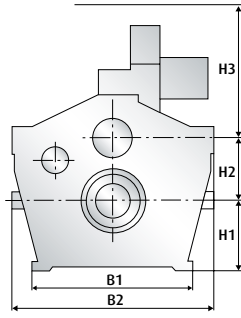
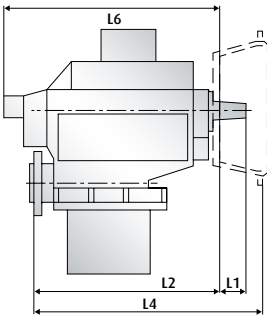
Model	B1	B2	H1	H2	H3
<b>WAF 344L</b>	570	720	265	250	395
<b>WAF 364L</b>	580	750	380	345	415
<b>WAF 374L</b>	800	930	460	410	430
<b>WAF 444L</b>	495	740	285	270	505

**C**

kW/rpm    BHP    (KW)    BHP    (KW)    BHP    (KW)

WAF 344L	1200 rpm	1600 rpm	1800 rpm
0,33	531 (396)	708 (528)	796 (594)
0,29	466 (348)	622 (464)	699 (522)
0,28	450 (336)	600 (448)	675 (504)
WAF 364L	1200 rpm	1600 rpm	1800 rpm
0,33	531 (396)	708 (528)	796 (594)
0,30	482 (360)	643 (480)	724 (540)
WAF 374L	1200 rpm	1600 rpm	1800 rpm
0,32	515 (384)	686 (512)	772 (576)
0,29	466 (348)	622 (464)	699 (522)
WAF 444L	1200 rpm	1600 rpm	1800 rpm
0,40	643 (480)	858 (640)	965 (720)
0,35	563 (420)	750 (560)	844 (630)

Dry weight including all accessories.



L1	L2	L4 SAE 1	L4 SAE 0	L4 SAE 00	L6
80	645	-	750	-	740
80	665	-	775	-	755
80	670	-	775	-	860
95	720	-	820	-	810

**WEIGHT**
**REDUCTION RATIOS**

kg (lbs)

730	(1606)	1,972; 2,452; 2,963
730	(1606)	3,571
730	(1606)	4,053
810	(1782)	3,933; 4,482; 4,920; 5,435
810	(1782)	6,048
1200	(2640)	6,120; 6,417; 7,091
1200	(2640)	7,476
760	(1672)	1,698; 1,974; 2,962; 3,522
760	(1672)	3,952

# Continuous Duty

## WAF 464L – 572L



Product brochure

- Special ratio available on request
- Available as hybrid ready on request

### Main Dimensions mm (Vertically offset configuration)

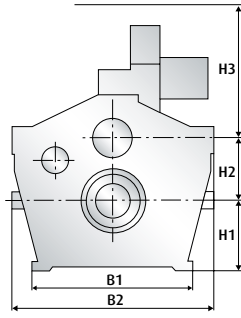
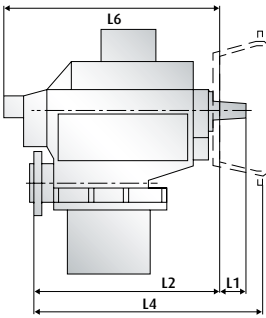
Model	B1	B2	H1	H2	H3
<b>WAF 464L</b>	575	800	400	375	510
<b>WAF 474L</b>	760	1310	510	460	330
<b>WAF 542L</b>	530	840	380	310	540
<b>WAF 562L</b>	570	920	475	410	550
<b>WAF 572L</b>	690	1360	575	505	500

**C**

kW/rpm	BHP	(KW)	BHP	(KW)	BHP	(KW)
<b>WAF 464L</b>	1200 rpm		1600 rpm		1800 rpm	
0,40	643	(480)	858	(640)	965	(720)
<b>WAF 474L</b>	1200 rpm		1600 rpm		1800 rpm	
0,40	643	(480)	858	(640)	965	(720)
0,36	579	(432)	772	(576)	868	(648)
<b>WAF 542L</b>	1200 rpm		1600 rpm		1800 rpm	
0,53	852	(636)	1136	(848)	1278	(954)
0,49	788	(588)	1051	(784)	1182	(882)
<b>WAF 562L</b>	1200 rpm		1600 rpm		1800 rpm	
0,53	852	(636)	1136	(848)	1278	(954)
<b>WAF 572L</b>	1200 rpm		1600 rpm		1800 rpm	
0,53	852	(636)	1136	(848)	1278	(954)

Dry weight including all accessories.





L1	L2	L4 SAE 1	L4 SAE 0	L4 SAE 00	L6
95	725	-	825	-	810
95	745	845	845	-	810
95	775	-	895	910	935
95	820	-	940	960	1060
95	835	-	955	970	980

**WEIGHT**

kg (lbs)

**REDUCTION RATIOS**

940	(2068)	4,000; 4,577; 5,042; 5,591; 5,905
1830	(4026)	6,417; 7,091
1830	(4026)	7,476
1035	(2277)	2,542; 2,960; 3,542; 3,955
1035	(2277)	4,450
1440	(3168)	5,050; 5,421; 5,947
2360	(5192)	6,417; 7,091; 7,474

# Continuous Duty

## WAF 164 – 264



Product brochure

- Special ratio available on request
- Available as hybrid ready on request
- Reduction gearbox type AF without clutch available on request

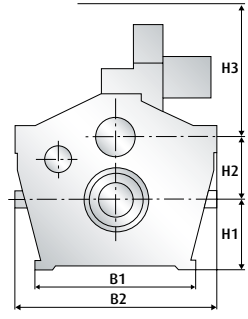
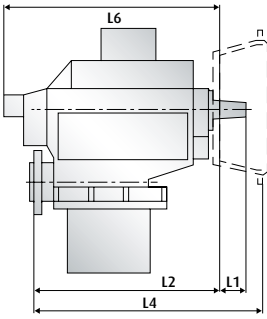
### Main Dimensions mm (Vertically offset configuration)

Model	B1	B2	H1	H2	H3
<b>WAF 164</b>	505	660	315	290	370
<b>WAF 244</b>	530	640	240	215	355
<b>WAF 264</b>	540	670	345	315	365

**C**

kW/rpm	BHP	(KW)	BHP	(KW)	BHP	(KW)
<b>WAF 164</b>	1200 rpm		1600 rpm		1800 rpm	
0,22	354	(264)	472	(352)	531	(396)
0,21	338	(252)	450	(336)	507	(378)
<b>WAF 244</b>	1200 rpm		1600 rpm		1800 rpm	
0,29	466	(348)	622	(464)	699	(522)
0,27	434	(324)	579	(432)	651	(486)
0,24	386	(288)	515	(384)	579	(432)
0,23	370	(276)	493	(368)	555	(414)
<b>WAF 264</b>	1200 rpm		1600 rpm		1800 rpm	
0,29	466	(348)	622	(464)	699	(522)
0,27	434	(324)	579	(432)	651	(486)
0,24	386	(288)	515	(384)	579	(432)

Dry weight including all accessories.



L1	L2	L4 SAE 1	L4 SAE 0	L4 SAE 00	L6
70	595	-	655	-	685
70	560	-	625	-	685
70	595	-	660	-	685

**WEIGHT**
**REDUCTION RATIOS**

kg	(lbs)	
525	(1155)	4,560; 5,044
525	(1155)	5,950
455	(1001)	1,343
455	(1001)	2,957
455	(1001)	3,522
455	(1001)	3,952
700	(1540)	4,083; 4,500
700	(1540)	5,050
700	(1540)	5,800

# Continuous Duty

## WAF 274 – 364



Product brochure

- Special ratio available on request
- Available as hybrid ready on request
- Reduction gearbox type AF without clutch available on request

### Main Dimensions mm (Vertically offset configuration)

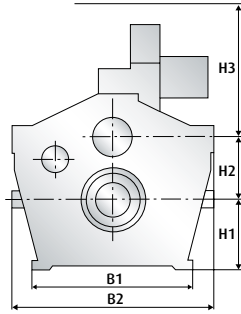
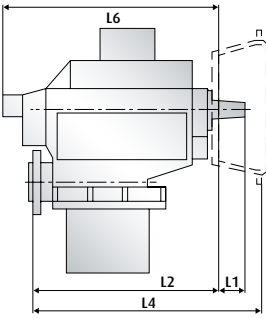
Model	B1	B2	H1	H2	H3
<b>WAF 274</b>	700	830	420	380	365
<b>WAF 344</b>	570	720	265	250	395
<b>WAF 364</b>	580	750	380	345	415

**C**

kW/rpm    BHP    (KW)    BHP    (KW)    BHP    (KW)

WAF 274	1200 rpm		1600 rpm		1800 rpm	
0,29	466	(348)	622	(464)	699	(522)
0,27	434	(324)	579	(432)	651	(486)
0,25	402	(300)	536	(400)	603	(450)
WAF 344	1200 rpm		1600 rpm		1800 rpm	
0,36	579	(432)	772	(576)	868	(648)
0,33	531	(396)	708	(528)	796	(594)
0,31	498	(372)	665	(496)	748	(558)
WAF 364	1200 rpm		1600 rpm		1800 rpm	
0,36	579	(432)	772	(576)	868	(648)
0,34	547	(408)	729	(544)	820	(612)

Dry weight including all accessories.



L1	L2	L4 SAE 1	L4 SAE 0	L4 SAE 00	L6
70	600	-	665	-	690
80	645	-	750	-	740
80	665	-	775	-	755

**WEIGHT**
**REDUCTION RATIOS**

kg (lbs)

725	(1595)	6,115
725	(1595)	7,044
725	(1595)	7,409
730	(1606)	1,972; 2,452; 2,963
730	(1606)	3,571
730	(1606)	4,053
810	(1782)	3,933; 4,482; 4,920; 5,435
810	(1782)	6,048

# Continuous Duty

## WAF 374 – 464



Product brochure

- Special ratio available on request
- Available as hybrid ready on request
- Reduction gearbox type AF without clutch available on request

### Main Dimensions mm (Vertically offset configuration)

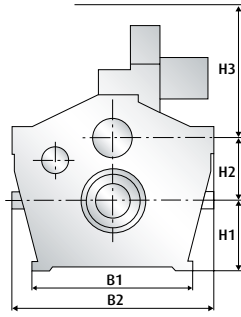
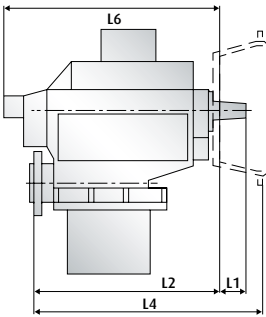
Model	B1	B2	H1	H2	H3
<b>WAF 374</b>	800	930	460	410	430
<b>WAF 444</b>	495	740	285	270	505
<b>WAF 464</b>	575	800	400	375	510



kW/rpm    BHP    (KW)    BHP    (KW)    BHP    (KW)

WAF 374	1200 rpm		1600 rpm		1800 rpm	
0,36	579	(432)	772	(576)	868	(648)
0,33	531	(396)	708	(528)	796	(594)
WAF 444	1200 rpm		1600 rpm		1800 rpm	
0,46	740	(552)	986	(736)	1110	(828)
0,44	708	(528)	943	(704)	1061	(792)
0,42	675	(504)	900	(672)	1013	(756)
0,40	643	(480)	858	(640)	965	(720)
WAF 464	1200 rpm		1600 rpm		1800 rpm	
0,46	740	(552)	986	(736)	1110	(828)
0,45	724	(540)	965	(720)	1085	(810)

Dry weight including all accessories.



L1	L2	L4 SAE 1	L4 SAE 0	L4 SAE 00	L6
80	670	-	775	-	860
95	720	-	820	-	810
95	725	-	825	-	810

**WEIGHT**
**REDUCTION RATIOS**

kg (lbs)

1200	(2640)	6,120; 6,417; 7,091
1200	(2640)	7,476
760	(1672)	1,698; 1,974
760	(1672)	2,962
760	(1672)	3,522
760	(1672)	3,952
940	(2068)	4,577; 5,042; 5,591
940	(2068)	5,905

# Continuous Duty

## WAF 474 – 563



Product brochure

- Special ratio available on request
- Available as hybrid ready on request
- Reduction gearbox type AF without clutch available on request

### Main Dimensions mm (Vertically offset configuration)

Model	B1	B2	H1	H2	H3
<b>WAF 474</b>	760	1310	510	460	330
<b>WAF 542</b>	530	840	380	310	540
<b>WAF 563</b>	570	920	475	410	550

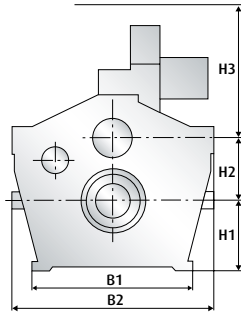
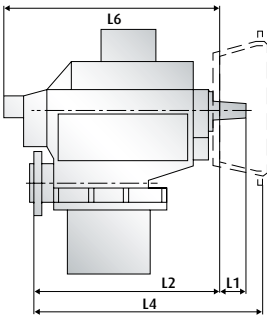
**C**

kW/rpm    BHP    (KW)    BHP    (KW)    BHP    (KW)

WAF 474	1200 rpm		1600 rpm		1800 rpm	
0,46	740	(552)	986	(736)	1110	(828)
0,45	724	(540)	965	(720)	1085	(810)
0,41	659	(492)	879	(656)	989	(738)
WAF 542	1200 rpm		1600 rpm		1800 rpm	
0,57	917	(684)	1222	(912)	1375	(1026)
0,55	884	(660)	1179	(880)	1327	(990)
0,49	788	(588)	1051	(784)	1182	(882)
WAF 563	1200 rpm		1600 rpm		1800 rpm	
0,59	949	(708)	1265	(944)	1423	(1062)
0,55	884	(660)	1179	(880)	1327	(990)

Dry weight including all accessories.





L1	L2	L4 SAE 1	L4 SAE 0	L4 SAE 00	L6
95	745	845	845	-	810
95	775	-	895	910	935
95	820	-	940	960	1060

**WEIGHT**

kg (lbs)

**REDUCTION RATIOS**

1830	(4026)	6,417
1830	(4026)	7,091
1830	(4026)	7,476
1035	(2277)	2,542; 2,960; 3,542
1035	(2277)	3,955
1035	(2277)	4,450
1445	(3179)	5,050; 5,421
1445	(3179)	5,947

# Continuous Duty

## WAF 572



Product brochure

- Special ratio available on request
- Available as hybrid ready on request
- Reduction gearbox type AF without clutch available on request

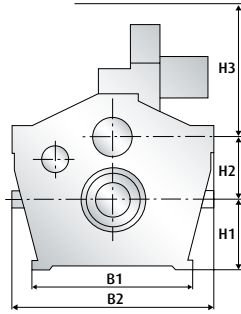
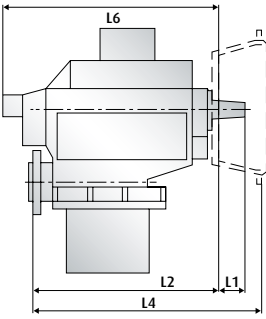
### Main Dimensions mm (Vertically offset configuration)

Model	B1	B2	H1	H2	H3
<b>WAF 572</b>	690	1360	575	505	500



kW/rpm	BHP	(KW)	BHP	(KW)	BHP	(KW)
<b>WAF 572</b>	1200 rpm		1600 rpm		1800 rpm	
0,57	917	(684)	1222	(912)	1375	(1026)
0,56	900	(672)	1201	(896)	1351	(1008)
0,54	868	(648)	1158	(864)	1302	(972)

Dry weight including all accessories.



L1	L2	L4 SAE 1	L4 SAE 0	L4 SAE 00	L6
95	835	-	955	970	980

**WEIGHT**

kg      (lbs)

**REDUCTION RATIOS**

2360	(5192)	6,417
2360	(5192)	7,091
2360	(5192)	7,474

# Continuous Duty

## WAF 665L – 843L



Product brochure

- Special ratio available on request
- Available as hybrid ready on request
- Reduction gearbox type AF without clutch available on request
- Available as horizontally offset configuration on request

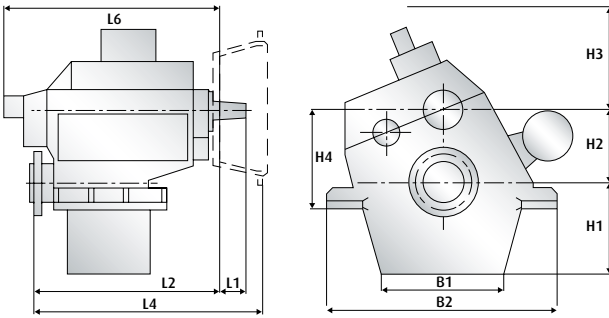
### Main Dimensions mm (Vertically offset configuration)

Model	B1	B2	H1	H2	H3	H4
<b>WAF 665L</b>	430	1160	490	430	540	560
<b>WAF 675L</b>	650	1480	610	550	540	680
<b>WAF 743L</b>	610	1160	490	380	550	510
<b>WAF 763L</b>	680	1300	530	490	550	630
<b>WAF 773L</b>	790	1670	680	620	550	760
<b>WAF 843L</b>	680	1300	530	425	550	565

**C**

kW/rpm	BHP	(KW)	BHP	(KW)	BHP	(KW)
<b>WAF 665L</b>	1200 rpm		1600 rpm		1800 rpm	
0,70	1126	(840)	1501	(1120)	1688	(1260)
<b>WAF 675L</b>	1200 rpm		1600 rpm		1800 rpm	
0,70	1126	(840)	1501	(1120)	1688	(1260)
<b>WAF 743L</b>	1200 rpm		1600 rpm		1800 rpm	
0,88	1415	(1056)	1887	(1408)	2123	(1584)
<b>WAF 763L</b>	1200 rpm		1600 rpm		1800 rpm	
0,88	1415	(1056)	1887	(1408)	2123	(1584)
<b>WAF 773L</b>	1200 rpm		1600 rpm		1800 rpm	
0,88	1415	(1056)	1887	(1408)	2123	(1584)
<b>WAF 843L</b>	1200 rpm		1600 rpm		1800 rpm	
1,25	2010	(1500)	2680	(2000)	3015	(2250)
1,15	1849	(1380)	2466	(1840)	2774	(2070)

Dry weight including all accessories.



L1	L2	L4 SAE 1	L4 SAE 0	L4 SAE 00	L6
101	881	-	1042	1042	1200
101	892	-	1053	1053	1200
107	933	-	-	1142	1190
107	934	-	-	1143	1190
107	951	-	-	-	1190
123	970	-	-	-	1280

**WEIGHT**
**REDUCTION RATIOS**

kg (lbs)

1950	(4290)	3,536; 4,080; 4,560; 5,044; 5,571; 5,950
2600	(5720)	6,417; 6,739; 7,091; 7,476
1800	(3960)	2,467; 3,038; 3,550; 3,952
2300	(5060)	4,192; 4,625; 5,136; 5,750; 5,913
3200	(7040)	6,154; 6,440; 7,087; 7,454
2300	(5060)	2,091; 3,080; 3,500
2300	(5060)	3,905

# Continuous Duty

## WAF 863L – 1163L



Product brochure

- Special ratio available on request
- Available as hybrid ready on request
- Reduction gearbox type AF without clutch available on request.
- Available as horizontally offset configuration on request

### Main Dimensions mm (Vertically offset configuration)

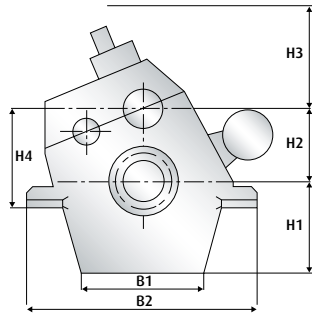
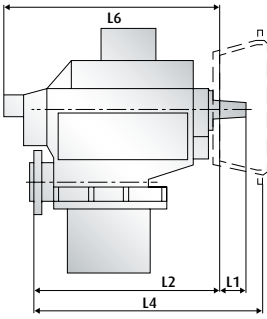
Model	B1	B2	H1	H2	H3	H4
<b>WAF 863L</b>	705	1400	590	540	550	690
<b>WAF 873L</b>	860	1650	750	670	550	710
<b>WAF 1143L</b>	705	1400	590	450	650	600
<b>WAF 1163L</b>	855	1520	660	590	650	750



kW/rpm    BHP    (KW)    BHP    (KW)    BHP    (KW)

WAF 863L	1200 rpm		1600 rpm		1800 rpm	
1,25	2010	(1500)	2680	(2000)	3015	(2250)
1,15	1849	(1380)	2466	(1840)	2774	(2070)
WAF 873L	1200 rpm		1600 rpm		1800 rpm	
1,25	2010	(1500)	2680	(2000)	3015	(2250)
1,15	1849	(1380)	2466	(1840)	2774	(2070)
WAF 1143L	1200 rpm		1600 rpm		1800 rpm	
1,48	2380	(1776)	3173	(2368)	3570	(2664)
1,45	2332	(1740)	3109	(2320)	3497	(2610)
WAF 1163L	1200 rpm		1600 rpm		1800 rpm	
1,48	2380	(1776)	3173	(2368)	3570	(2664)
1,27	2042	(1524)	2723	(2032)	3063	(2286)

Dry weight including all accessories.



L1	L2	L4 SAE 1	L4 SAE 0	L4 SAE 00	L6
123	1000	-	-	-	1280
123	1030	-	-	-	1280
142	1053	-	-	-	1368
142	1085	-	-	-	1368

**WEIGHT**
**REDUCTION RATIOS**

kg (lbs)

3100	(6820)	4,458; 4,954
3100	(6820)	5,500; 5,842
4100	(9020)	6,440; 7,087
4100	(9020)	7,454; 7,526
2750	(6050)	1,966; 2,429; 3,037; 3,500
2750	(6050)	3,909
3600	(7920)	4,500; 4,958; 5,500
3600	(7920)	5,810

# Continuous Duty

## WAF 1173L – 1963L



Product brochure

- Special ratio available on request
- Available as hybrid ready on request
- Reduction gearbox type AF without clutch available on request
- Available as horizontally offset configuration on request

### Main Dimensions mm (Vertically offset configuration)

Model	B1	B2	H1	H2	H3	H4
<b>WAF 1173L</b>						
<b>WAF 1543L</b>	855	1520	660	490	650	650
<b>WAF 1563L</b>	925	1620	675	630	650	790
<b>WAF 1943L</b>	925	1620	675	485	600	645
<b>WAF 1963L</b>	970	1680	720	675	600	845

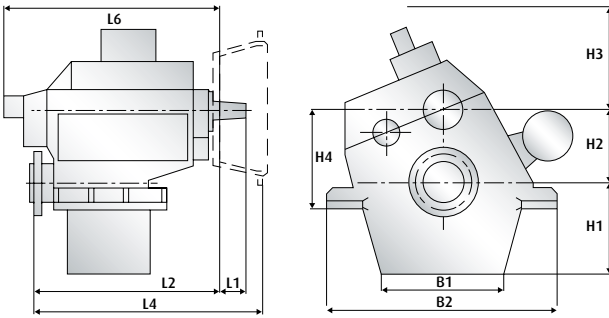


kW/rpm    BHP    (KW)    BHP    (KW)    BHP    (KW)

<b>WAF 1173L</b>	1200 rpm		1600 rpm		1800 rpm	
1,48	2380	(1776)	3173	(2368)	3570	(2664)
1,27	2042	(1524)	2723	(2032)	3063	(2286)
<b>WAF 1543L</b>	1200 rpm		1300 rpm		1600 rpm	
1,85	2975	(2220)	3223	(2405)	3966	(2960)
<b>WAF 1563L</b>	1200 rpm		1300 rpm		1600 rpm	
1,85	2975	(2220)	3223	(2405)	3966	(2960)
1,73	2782	(2076)	3014	(2249)	3709	(2768)
1,70	2734	(2040)	2961	(2210)	3645	(2720)
<b>WAF 1943L</b>	1200 rpm		1300 rpm		1600 rpm	
2,00	3216	(2400)	3484	(2600)	4288	(3200)
<b>WAF 1963L</b>	1200 rpm		1300 rpm		1600 rpm	
2,00	3216	(2400)	3484	(2600)	4288	(3200)

Dry weight including all accessories.





L1	L2	L4 SAE 1	L4 SAE 0	L4 SAE 00	L6
on request					
154	1133	-	-	-	1413
154	1163	-	-	-	1413
162	1261	-	-	-	1556
162	1281	-	-	-	1556

**WEIGHT**
**REDUCTION RATIOS**

kg (lbs)

5000	(11000)	6,696; 7,046
5000	(11000)	7,429
3400	(7480)	2,032; 2,467; 3,038; 3,522; 3,857
4460	(9812)	4,429; 4,846
4460	(9812)	5,375
4460	(9812)	5,954
4460	(9812)	2,059; 2,467; 2,962; 3,522; 3,952
5540	(12188)	4,467; 5,560; 5,952

# Continuous Duty

## WAF 665 – 773



Product brochure

- Special ratio available on request
- Available as hybrid ready on request
- Reduction gearbox type AF without clutch available on request

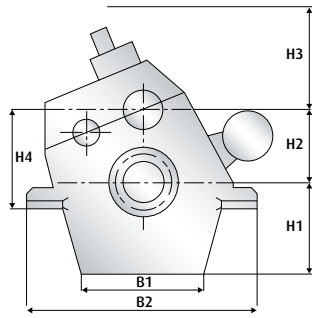
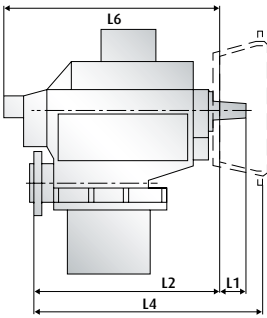
### Main Dimensions mm (Vertically offset configuration)

Model	B1	B2	H1	H2	H3	H4
<b>WAF 665</b>	430	1160	490	430	540	560
<b>WAF 675</b>	650	1480	610	550	540	680
<b>WAF 743</b>	610	1160	490	380	550	510
<b>WAF 763</b>	680	1300	530	490	550	630
<b>WAF 773</b>	790	1670	680	620	550	760

**C**

kW/rpm	BHP	(KW)	BHP	(KW)	BHP	(KW)
<b>WAF 665</b>	1200 rpm		1600 rpm		1800 rpm	
0,77	1238	(924)	1651	(1232)	1857	(1386)
<b>WAF 675</b>	1200 rpm		1600 rpm		1800 rpm	
0,77	1238	(924)	1651	(1232)	1857	(1386)
<b>WAF 743</b>	1200 rpm		1600 rpm		1800 rpm	
0,98	1576	(1176)	2101	(1568)	2364	(1764)
0,97	1560	(1164)	2080	(1552)	2340	(1746)
<b>WAF 763</b>	1200 rpm		1600 rpm		1800 rpm	
0,98	1576	(1176)	2101	(1568)	2364	(1764)
0,97	1560	(1164)	2080	(1552)	2340	(1746)
<b>WAF 773</b>	1200 rpm		1600 rpm		1800 rpm	
0,98	1576	(1176)	2101	(1568)	2364	(1764)

Dry weight including all accessories.



L1	L2	L4 SAE 1	L4 SAE 0	L4 SAE 00	L6
101	881	-	1042	1042	1200
101	892	-	1053	1053	1200
107	933	-	-	1142	1190
107	934	-	-	1143	1190
107	951	-	-	-	1190

**WEIGHT**

kg (lbs)

**REDUCTION RATIOS**

1950	(4290)	3,536; 4,080; 4,560; 5,044; 5,571; 5,950
2600	(5720)	6,417; 6,739; 7,091; 7,476
1800	(3960)	2,467; 3,038; 3,550
1800	(3960)	3,952
2300	(5060)	4,192; 4,625; 5,136; 5,750
2300	(5060)	5,913
3200	(7040)	6,154; 6,440; 7,087; 7,454

# Continuous Duty

## WAF 843 – 1143



Product brochure

- Special ratio available on request
- Available as hybrid ready on request
- Reduction gearbox type AF without clutch available on request
- Available as horizontally offset configuration on request

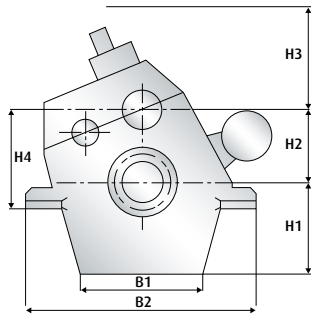
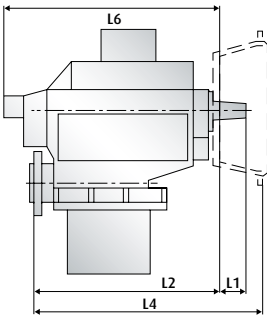
### Main Dimensions mm (Vertically offset configuration)

Model	B1	B2	H1	H2	H3	H4
<b>WAF 843</b>	680	1300	530	425	550	565
<b>WAF 863</b>	705	1400	590	540	550	690
<b>WAF 873</b>	860	1650	750	670	550	710
<b>WAF 1143</b>	705	1400	590	450	650	600

**C**

kW/rpm	BHP	(KW)	BHP	(KW)	BHP	(KW)
<b>WAF 843</b>	1200 rpm		1600 rpm		1800 rpm	
1,38	2219	(1656)	2959	(2208)	3329	(2484)
1,27	2042	(1524)	2723	(2032)	3063	(2286)
<b>WAF 863</b>	1200 rpm		1600 rpm		1800 rpm	
1,38	2219	(1656)	2959	(2208)	3329	(2484)
<b>WAF 873</b>	1200 rpm		1600 rpm		1800 rpm	
1,38	2219	(1656)	2959	(2208)	3329	(2484)
<b>WAF 1143</b>	1200 rpm		1600 rpm		1800 rpm	
1,63	2621	(1956)	3495	(2608)	3932	(2934)
1,60	2573	(1920)	3430	(2560)	3859	(2880)
1,48	2380	(1776)	3173	(2368)	3570	(2664)

Dry weight including all accessories.



L1	L2	L4 SAE 1	L4 SAE 0	L4 SAE 00	L6
123	970	-	-	-	1280
123	1000	-	-	-	1280
123	1030	-	-	-	1280
142	1053	-	-	-	1368

**WEIGHT**
**REDUCTION RATIOS**

kg (lbs)

2300	(5060)	2,091; 3,080; 3,500; 3,905
2300	(5060)	4,087
3100	(6820)	4,458; 4,954; 5,500; 5,842
4100	(9020)	6,440; 7,087; 7,454; 7,526
2750	(6050)	1,966; 2,429; 3,037
2750	(6050)	3,500
2750	(6050)	3,909

# Continuous Duty

## WAF 1163 – 1563



Product brochure

- Special ratio available on request
- Available as hybrid ready on request
- Reduction gearbox type AF without clutch available on request
- Available as horizontally offset configuration on request

### Main Dimensions mm (Vertically offset configuration)

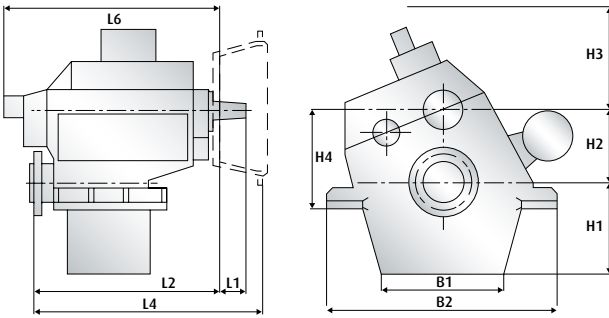
Model	B1	B2	H1	H2	H3	H4
<b>WAF 1163</b>	855	1520	660	590	650	750
<b>WAF 1173</b>						
<b>WAF 1543</b>	855	1520	660	490	650	650
<b>WAF 1563</b>	925	1620	675	630	650	790

# C

kW/rpm    BHP    (KW)    BHP    (KW)    BHP    (KW)

<b>WAF 1163</b>	1200 rpm		1600 rpm		1800 rpm	
1,63	2621	(1956)	3495	(2608)	3932	(2934)
1,53	2460	(1836)	3280	(2448)	3690	(2754)
1,45	2332	(1740)	3109	(2320)	3497	(2610)
<b>WAF 1173</b>	1200 rpm		1600 rpm		1800 rpm	
1,63	2621	(1956)	3495	(2608)	3932	(2934)
1,50	2412	(1800)	3216	(2400)	3618	(2700)
<b>WAF 1543</b>	1200 rpm		1300 rpm		1600 rpm	
2,04	3280	(2448)	3554	(2652)	4374	(3264)
1,90	3055	(2280)	3310	(2470)	4074	(3040)
<b>WAF 1563</b>	1200 rpm		1300 rpm		1600 rpm	
2,04	3280	(2448)	3554	(2652)	4374	(3264)
1,80	2894	(2160)	3136	(2340)	3859	(2880)

Dry weight including all accessories.



L1	L2	L4 SAE 1	L4 SAE 0	L4 SAE 00	L6
142	1085	-	-	-	1368
on request					
154	1133	-	-	-	1413
154	1163	-	-	-	1413

**WEIGHT**
**REDUCTION RATIOS**

kg (lbs)

3600	(7920)	4,500; 4,958
3600	(7920)	5,500
3600	(7920)	5,810
5000	(11000)	6,696
5000	(11000)	7,046; 7,429
3400	(7480)	2,032; 2,467; 3,038
3400	(7480)	3,522; 3,857
4460	(9812)	4,429; 4,846
4460	(9812)	5,375; 5,954

# Continuous Duty

## WAF 1943 – 1963



Product brochure

- Special ratio available on request
- Available as hybrid ready on request
- Reduction gearbox type AF without clutch available on request
- Available as horizontally offset configuration on request

### Main Dimensions mm (Vertically offset configuration)

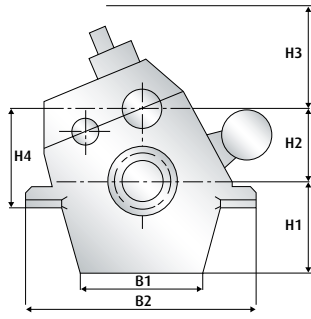
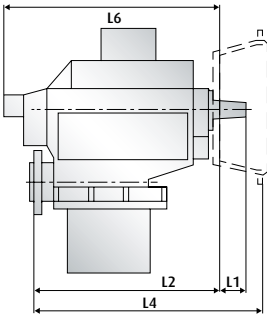
Model	B1	B2	H1	H2	H3	H4
<b>WAF 1943</b>	925	1620	675	485	600	645
<b>WAF 1963</b>	970	1680	720	675	600	845

**C**

kW/rpm	BHP	(KW)	BHP	(KW)	BHP	(KW)
<b>WAF 1943</b>	1200 rpm		1300 rpm		1600 rpm	
2,20	3538	(2640)	3832	(2860)	4717	(3520)
<b>WAF 1963</b>	1200 rpm		1300 rpm		1600 rpm	
2,20	3538	(2640)	3832	(2860)	4717	(3520)

Dry weight including all accessories.





L1	L2	L4 SAE 1	L4 SAE 0	L4 SAE 00	L6
162	1261	-	-	-	1556
162	1281	-	-	-	1556

**WEIGHT**
**REDUCTION RATIOS**

kg (lbs)

4460 (9812) 2,059; 2,467; 2,962; 3,522; 3,952

5540 (12188) 4,467; 4,857; 5,560; 5,952

# Continuous Duty

## WGF 563



Product brochure

- Special ratio available on request
- Available as hybrid ready on request
- Partly vertical offset. Further sizes on request
- Also available as LGF-model without reverse step

### Main Dimensions mm

Model	B1	B2	D1	D2	H1	H2
<b>WGF 563</b>	570	920	92	350	550	160



Ratio kW/rpm BHP (KW) max. rpm

### WGF 563

	3,965	0,89	1660	(1239)	1400
	5,118	0,69	1655	(1235)	1800
	5,947	0,59	1660	(1239)	2100
	6,912	0,51	1566	(1168)	2300
	7,647	0,46	1507	(1125)	2450
	8,046	0,44	1431	(1068)	2450
	8,470	0,41	1359	(1014)	2450
	8,921	0,39	1290	(963)	2450
	9,401	0,37	1225	(914)	2450
	10,459	0,34	1100	(821)	2450
	11,045	0,32	1044	(779)	2450
	11,674	0,30	988	(737)	2450

Dry weight including all accessories.



# Continuous Duty

## WGF 665 – 1973



Product brochure

- Special ratio available on request
- Available as hybrid ready on request
- Partly vertical offset. Further sizes on request
- Also available as LGF-model without reverse step

### Main Dimensions mm

Model	B1	B2	D1	D2	H1	H2	H3
<b>WGF 665</b>	430	1160	102	420	490	430	590



Ratio kW/rpm BHP (KW) max. rpm

WGF 665	Ratio	kW/rpm	BHP	(KW)	max. rpm
	4,042	1,06	1848	(1379)	1300
	5,087	0,84	1807	(1349)	1600
	6,102	0,70	1837	(1371)	1950
	6,685	0,64	1850	(1380)	2150
	6,999	0,61	1848	(1379)	2250
	7,679	0,56	1835	(1370)	2450
	8,047	0,53	1750	(1306)	2450
	8,848	0,49	1592	(1188)	2450
	9,749	0,44	1445	(1078)	2450
	10,243	0,42	1376	(1027)	2450
	10,771	0,40	1307	(975)	2450
	11,334	0,38	1241	(926)	2450

Dry weight including all accessories.



# Continuous Duty

## WGF 665 – 1973



Product brochure

- Special ratio available on request
- Available as hybrid ready on request
- Partly vertical offset. Further sizes on request
- Also available as LGF-model without reverse step

### Main Dimensions mm

Model	B1	B2	D1	D2	H1	H2	H3
<b>WGF 763</b>	680	1300	107	375	530	490	550



Ratio kW/rpm BHP (KW) max. rpm

### WGF 763

	3,093	1,34	1618	(1208)	900
	4,009	1,24	1992	(1487)	1200
	4,928	1,01	2026	(1512)	1500
	6,034	0,82	1985	(1481)	1800
	6,542	0,76	2034	(1518)	2000
	7,096	0,70	2017	(1505)	2150
	8,025	0,62	1991	(1486)	2400
	9,097	0,55	1793	(1338)	2450
	9,492	0,52	1717	(1281)	2450
	9,908	0,50	1645	(1227)	2450
	10,348	0,48	1576	(1176)	2450
	11,304	0,44	1441	(1076)	2450

Dry weight including all accessories.



# Continuous Duty

## WGF 665 – 1973



Product brochure

- Special ratio available on request
- Available as hybrid ready on request
- Partly vertical offset. Further sizes on request
- Also available as LGF-model without reverse step

### Main Dimensions mm

Model	B1	B2	D1	D2	H1	H2	H3
<b>WGF 863</b>	705	1400	117	420	590	540	550



Ratio kW/rpm BHP (KW) max. rpm

### WGF 863

	4,080	1,98	3310	(2470)	1250
	4,935	1,63	3282	(2450)	1500
	5,952	1,35	3266	(2437)	1800
	6,915	1,17	3281	(2449)	2100
	7,458	1,08	3332	(2486)	2300
	8,049	1,00	3290	(2455)	2450
	8,695	0,93	3043	(2271)	2450
	9,041	0,89	2928	(2185)	2450
	9,404	0,86	2814	(2100)	2450
	10,186	0,79	2597	(1938)	2450
	10,608	0,76	2495	(1862)	2450
	11,052	0,73	2393	(1786)	2450

Dry weight including all accessories.





# Continuous Duty

## WGF 665 – 1973



Product brochure

- Special ratio available on request
- Available as hybrid ready on request
- Partly vertical offset. Further sizes on request
- Also available as LGF-model without reverse step



	Ratio	kW/rpm	BHP	(KW)	max. rpm
<b>WGF 1563</b>					
	3,503	2,50	3188	(2379)	950
	4,094	2,62	3859	(2880)	1100
	4,418	2,43	3901	(2911)	1200
	4,945	2,17	3775	(2817)	1300
	5,529	1,94	3766	(2810)	1450
	5,955	1,80	3859	(2880)	1600
	6,907	1,55	3847	(2871)	1850
	7,728	1,39	3717	(2774)	2000
	8,336	1,29	3791	(2829)	2200
	9,001	1,19	3830	(2858)	2400
	9,731	1,10	3541	(2642)	2400
	10,123	1,06	3406	(2542)	2400

Dry weight including all accessories.



# Continuous Duty

## WGF 665 – 1973



Product brochure

- Special ratio available on request
- Available as hybrid ready on request
- Partly vertical offset. Further sizes on request
- Also available as LGF-model without reverse step



	Ratio	kW/rpm	BHP	(KW)	max. rpm
<b>WGF 1963</b>					
	3,501	2,50	3188	(2379)	950
	4,092	2,70	3980	(2970)	1100
	4,416	2,97	4768	(3558)	1200
	4,944	2,65	4615	(3444)	1300
	5,527	2,37	4603	(3435)	1450
	5,952	2,20	4717	(3520)	1600
	6,905	1,90	4703	(3509)	1850
	7,725	1,70	4543	(3390)	2000
	8,333	1,57	4631	(3456)	2200
	8,998	1,46	4679	(3492)	2400
	9,727	1,35	4329	(3230)	2400
	10,119	1,29	4162	(3106)	2400

Dry weight including all accessories.



# Continuous Duty

## WGF 2346 – 7760



Product brochure

- Special ratio available on request
- Available as hybrid ready on request
- Partly vertical offset. Further sizes on request
- Also available as LGF-model without reverse step

### Main Dimensions mm

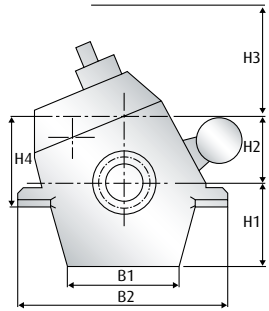
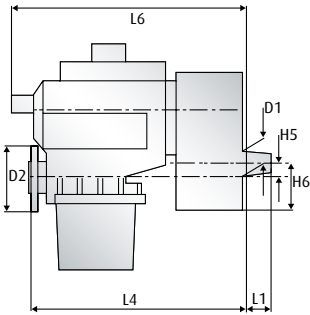
Model	B1	B2	D1	D2	H1	H2
<b>WGF 3455</b>	1880	930	177	650	770	710



Ratio kW/rpm BHP (KW) max. rpm

<b>WGF 3455</b>					
	Ratio	kW/rpm	BHP	(KW)	max. rpm
	4,069	4,38	5281	(3941)	900
	4,596	4,21	5641	(4210)	1000
	4,980	3,89	5728	(4275)	1100
	5,611	3,45	5777	(4311)	1250
	6,073	3,19	5763	(4301)	1350
	6,574	2,94	5718	(4267)	1450
	7,119	2,72	5827	(4349)	1600
	8,031	2,41	5811	(4336)	1800
	8,713	2,22	5803	(4331)	1950

Dry weight including all accessories.



H3	H4	H5	L1	L2	L6	Weight (kg)
700	400	240	209	2070	2500	10000

**WEIGHT**

kg      (lbs)

-	-	
-	-	
-	-	
-	-	
-	-	
-	-	
-	-	
-	-	
-	-	

# Continuous Duty

## WGF 2346 – 7760



Product brochure

- Special ratio available on request
- Available as hybrid ready on request
- Partly vertical offset. Further sizes on request
- Also available as LGF-model without reverse step

### Main Dimensions mm

Model	B1	B2	D1	D2	H1	H2
<b>WGF 4566</b>	2400	1120	177	710	1115	885



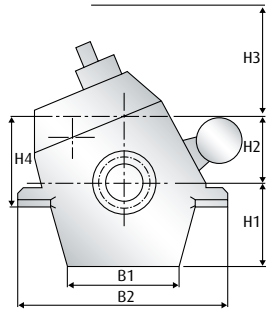
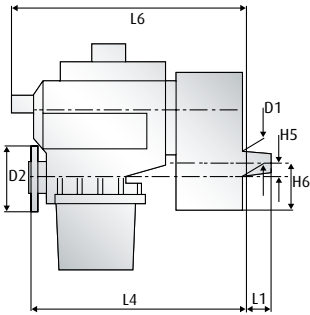
Ratio kW/rpm BHP (KW) max. rpm

### WGF 4566

	4,154	4,20	3658	(2730)	650
	4,490	4,80	4502	(3360)	700
	5,036	4,85	5200	(3881)	800
	5,639	4,33	5224	(3899)	900
	6,078	4,02	5116	(3818)	950
	6,550	3,73	4998	(3730)	1000
	7,059	3,46	5102	(3807)	1100
	7,609	3,21	5162	(3852)	1200
	8,207	2,98	4787	(3572)	1200
	8,525	2,87	4993	(3726)	1300
	9,205	2,65	4979	(3716)	1400

Dry weight including all accessories.





H3	H4	H5	L1	L2	L6	Weight (kg)
1000	565	385	209	2250	2580	15000

**WEIGHT**

kg (lbs)

-	-	
-	-	
-	-	
-	-	
-	-	
-	-	
-	-	
-	-	
-	-	
-	-	
-	-	

# Continuous Duty

## WGV 482



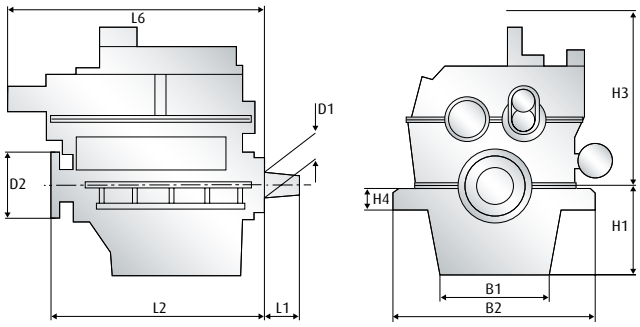
Product brochure

- Special ratio available on request
- Coaxial. Reduction and power speed ratio on request

### Main Dimensions mm

Model	B1	B2	D1	D2	H1
<b>WGV 482</b>	740	1370	147	440	610

Dry weight including all accessories.



H3	H4	L1	L2	L6	Weight (kg)
1120	160	183	1480	1860	5600

# Continuous Duty

## WGV 502 – 1100



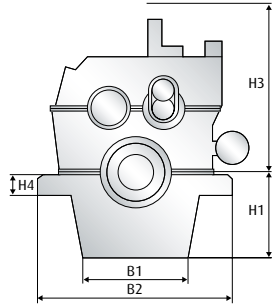
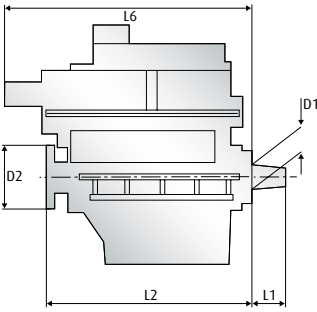
Product brochure

- Special ratio available on request
- Coaxial. Reduction and power speed ratio on request

### Main Dimensions mm

Model	B1	B2	D1	D2	H1
<b>WGV 502</b>	740	1370	147	440	610
<b>WGV 562</b>	735	1350	157	480	220
<b>WGV 632</b>	840	1540	177	600	610
<b>WGV 712</b>	1004	1710	197	650	665
<b>WGV 1000</b>	1000	2000	217	750	810
<b>WGV 1100</b>	1715	2470	217	720	1015

Dry weight including all accessories.



H3	H4	L1	L2	L6	Weight (kg)
1120	160	183	1480	1860	5650
1130	180	183	1866	2230	7200
1220	200	215	2010	2410	9700
1360	220	251	2240	2700	13600
1510	220	278	2480	2880	19000
2000	220	263	2510	3020	24000

# Continuous Duty

## LAF 665L – 773L



Product brochure

- Special ratio available on request
- Available as hybrid ready on request
- Reduction gearbox type AF without clutch available on request
- Available as horizontally offset configuration on request

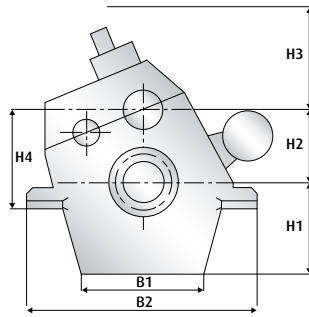
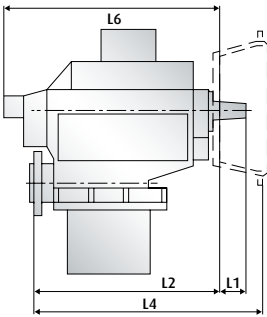
### Main Dimensions mm (Vertically offset configuration)

Model	B1	B2	H1	H2	H3	H4
LAF 665L	430	1160	490	430	540	560
LAF 675L	650	1480	610	550	540	680
LAF 743L	610	1160	490	380	550	510
LAF 763L	680	1300	530	490	550	630
LAF 773L	790	1670	680	620	550	760

C

kW/rpm	BHP	(KW)	BHP	(KW)	BHP	(KW)
<b>LAF 665L</b>	1200 rpm		1600 rpm		1800 rpm	
0,70	1126	(840)	1501	(1120)	1688	(1260)
<b>LAF 675L</b>	1200 rpm		1600 rpm		1800 rpm	
0,70	1126	(840)	1501	(1120)	1688	(1260)
<b>LAF 743L</b>	1200 rpm		1600 rpm		1800 rpm	
1,00	1608	(1200)	2144	(1600)	2412	(1800)
0,88	1415	(1056)	1887	(1408)	2123	(1584)
<b>LAF 763L</b>	1200 rpm		1600 rpm		1800 rpm	
1,00	1608	(1200)	2144	(1600)	2412	(1800)
0,88	1415	(1056)	1887	(1408)	2123	(1584)
<b>LAF 773L</b>	1200 rpm		1600 rpm		1800 rpm	
1,00	1608	(1200)	2144	(1600)	2412	(1800)
0,88	1415	(1056)	1887	(1408)	2123	(1584)

Dry weight including all accessories.



L1	L2	L4 SAE 1	L4 SAE 0	L4 SAE 00	L6
101	881	-	1042	1042	1200
101	892	-	1053	1053	1200
107	933	-	-	1142	1190
107	934	-	-	1143	1190
107	951	-	-	-	1190

**WEIGHT**

kg (lbs)

**REDUCTION RATIOS**

1800	(3960)	3,536; 4,080; 4,560; 5,044; 5,571; 5,950
2450	(5390)	6,417; 6,739; 7,091; 7,476
1600	(3520)	2,467; 3,038; 3,550
1600	(3520)	3,952
2100	(4620)	4,192; 4,625; 5,136
2100	(4620)	5,750; 5,913
3000	(6600)	6,154; 6,440; 7,087
3000	(6600)	7,454

# Continuous Duty

## LAF 843L – 873L



Product brochure

- Special ratio available on request
- Available as hybrid ready on request
- Reduction gearbox type AF without clutch available on request
- Available as horizontally offset configuration on request

### Main Dimensions mm (Vertically offset configuration)

Model	B1	B2	H1	H2	H3	H4
<b>LAF 843L</b>	680	1300	530	425	550	565
<b>LAF 863L</b>	705	1400	590	540	550	690
<b>LAF 873L</b>	860	1650	750	670	550	710

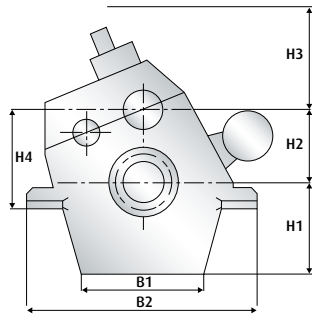
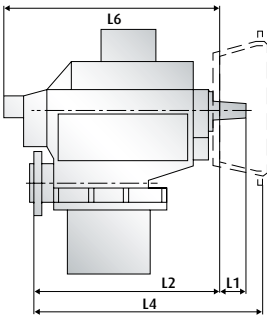


kW/rpm    BHP    (KW)    BHP    (KW)    BHP    (KW)

<b>LAF 843L</b>	1200 rpm		1600 rpm		1800 rpm	
1,45	2332	(1740)	3109	(2320)	3497	(2610)
1,30	2090	(1560)	2787	(2080)	3136	(2340)
1,15	1849	(1380)	2466	(1840)	2774	(2070)
<b>LAF 863L</b>	1200 rpm		1600 rpm		1800 rpm	
1,40	2251	(1680)	3002	(2240)	3377	(2520)
1,25	2010	(1500)	2680	(2000)	3015	(2250)
1,15	1849	(1380)	2466	(1840)	2774	(2070)
<b>LAF 873L</b>	1200 rpm		1600 rpm		1800 rpm	
1,45	2332	(1740)	3109	(2320)	3497	(2610)
1,38	2219	(1656)	2959	(2208)	3329	(2484)
1,30	2090	(1560)	2787	(2080)	3136	(2340)
1,15	1849	(1380)	2466	(1840)	2774	(2070)

Dry weight including all accessories.





L1	L2	L4 SAE 1	L4 SAE 0	L4 SAE 00	L6
123	970	-	-	-	1280
123	1000	-	-	-	1280
123	1030	-	-	-	1280

**WEIGHT**

kg (lbs)

**REDUCTION RATIOS**

2640	(5808)	2,091; 3,080
2640	(5808)	3,500
2640	(5808)	3,905
2850	(6270)	4,458
2850	(6270)	4,954
2850	(6270)	5,500; 5,842
3850	(8470)	6,440
3850	(8470)	7,526
3850	(8470)	7,087
3850	(8470)	7,454

# Continuous Duty

## LAF 1143L – 1173L



Product brochure

- Special ratio available on request
- Available as hybrid ready on request
- Reduction gearbox type AF without clutch available on request
- Available as horizontally offset configuration on request

### Main Dimensions mm (Vertically offset configuration)

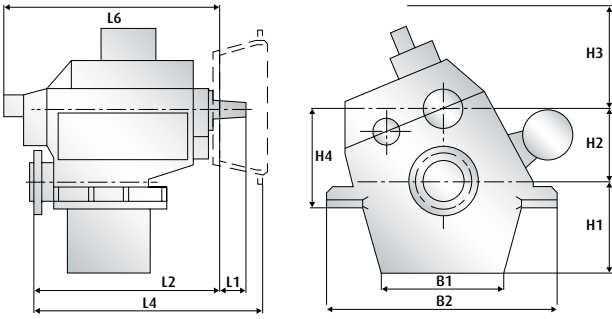
Model	B1	B2	H1	H2	H3	H4
<b>LAF 1143L</b>	705	1400	590	450	650	600
<b>LAF 1163L</b>	855	1520	660	590	650	750
<b>LAF 1173L</b>						



kW/rpm    BHP    (KW)    BHP    (KW)    BHP    (KW)

<b>LAF 1143L</b>	1200 rpm		1600 rpm		1800 rpm	
1,70	2734	(2040)	3645	(2720)	4100	(3060)
1,60	2573	(1920)	3430	(2560)	3859	(2880)
1,45	2332	(1740)	3109	(2320)	3497	(2610)
<b>LAF 1163L</b>	1200 rpm		1600 rpm		1800 rpm	
1,70	2734	(2040)	3645	(2720)	4100	(3060)
1,48	2380	(1776)	3173	(2368)	3570	(2664)
1,27	2042	(1524)	2723	(2032)	3063	(2286)
<b>LAF 1173L</b>	1200 rpm		1600 rpm		1800 rpm	
1,63	2621	(1956)	3495	(2608)	3932	(2934)
1,48	2380	(1776)	3173	(2368)	3570	(2664)
1,27	2042	(1524)	2723	(2032)	3063	(2286)

Dry weight including all accessories.



L1	L2	L4 SAE 1	L4 SAE 0	L4 SAE 00	L6
142	1053	-	-	-	1368
142	1085	-	-	-	1368
on request					

**WEIGHT**
**REDUCTION RATIOS**

kg (lbs)

2450	(5390)	1,966; 2,429; 3,037
2450	(5390)	3,500
2450	(5390)	3,909
3300	(7260)	4,500; 4,958
3300	(7260)	5,500
3300	(7260)	5,810
4600	(10120)	6,696
4600	(10120)	7,046
4600	(10120)	7,429

# Continuous Duty

## LAF 1543L – 1943L



Product brochure

- Special ratio available on request
- Available as hybrid ready on request
- Reduction gearbox type AF without clutch available on request
- Available as horizontally offset configuration on request

### Main Dimensions mm (Vertically offset configuration)

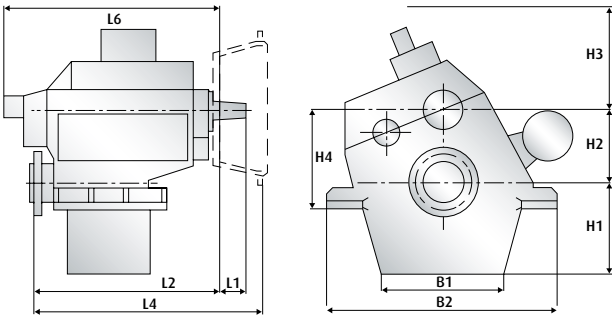
Model	B1	B2	H1	H2	H3	H4
<b>LAF 1543L</b>	855	1520	660	490	650	650
<b>LAF 1563L</b>	925	1620	675	630	650	790
<b>LAF 1943L</b>	925	1620	675	485	600	645



kW/rpm    BHP    (KW)    BHP    (KW)    BHP    (KW)

<b>LAF 1543L</b>	1200 rpm	1500 rpm	1600 rpm
2,10	3377 (2520)	4221 (3150)	4502 (3360)
1,90	3055 (2280)	3819 (2850)	4074 (3040)
1,85	2975 (2220)	3719 (2775)	3966 (2960)
<b>LAF 1563L</b>	1200 rpm	1500 rpm	1600 rpm
1,75	2814 (2100)	3518 (2625)	3752 (2800)
1,73	2782 (2076)	3477 (2595)	3709 (2768)
1,70	2734 (2040)	3417 (2550)	3645 (2720)
<b>LAF 1943L</b>	1200 rpm	1500 rpm	1600 rpm
2,45	3940 (2940)	4925 (3675)	5253 (3920)
2,20	3538 (2640)	4422 (3300)	4717 (3520)

Dry weight including all accessories.



L1	L2	L4 SAE 1	L4 SAE 0	L4 SAE 00	L6
154	1133	-	-	-	1413
154	1163	-	-	-	1413
162	1261	-	-	-	1556

**WEIGHT**
**REDUCTION RATIOS**

kg (lbs)

3000	(6600)	2,032; 2,467; 3,038
3000	(6600)	3,522
3000	(6600)	3,857
4000	(8800)	4,429; 4,846
4000	(8800)	5,375
4000	(8800)	5,954
4060	(8932)	2,059; 2,467; 2,962
4060	(8932)	3,522; 3,952

# Continuous Duty

## LAF 1963L



Product brochure

- Special ratio available on request
- Available as hybrid ready on request
- Reduction gearbox type AF without clutch available on request
- Available as horizontally offset configuration on request

### Main Dimensions mm (Vertically offset configuration)

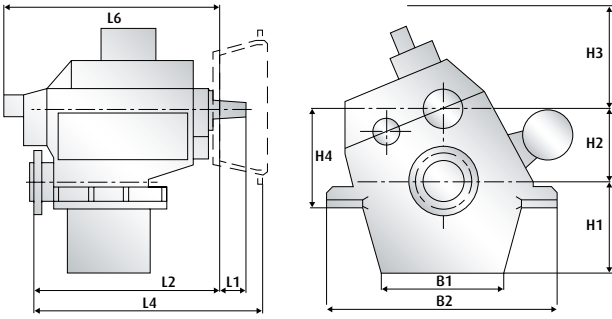
Model	B1	B2	H1	H2	H3	H4
<b>LAF 1963L</b>	970	1680	720	675	600	845



kW/rpm    BHP    (KW)    BHP    (KW)    BHP    (KW)

<b>LAF 1963L</b>	1200 rpm		1500 rpm		1600 rpm	
2,45	3940	(2940)	4925	(3675)	5253	(3920)
2,00	3216	(2400)	4020	(3000)	4288	(3200)

Dry weight including all accessories.



L1	L2	L4 SAE 1	L4 SAE 0	L4 SAE 00	L6
162	1281	-	-	-	1556

**WEIGHT**
**REDUCTION RATIOS**

kg (lbs)

4940	(10868)	4,467
4940	(10868)	5,560; 5,952

# Continuous Duty

## LAF 665 – 773



Product brochure

- Special ratio available on request
- Available as hybrid ready on request
- Reduction gearbox type AF without clutch available on request

### Main Dimensions mm (Vertically offset configuration)

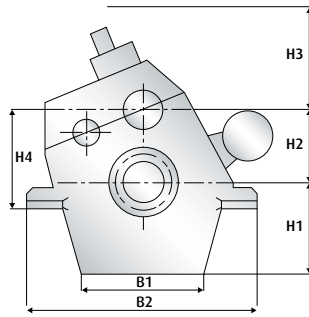
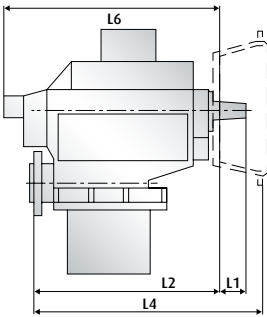
Model	B1	B2	H1	H2	H3	H4
<b>LAF 665</b>	430	1160	490	430	540	560
<b>LAF 675</b>	650	1480	610	550	540	680
<b>LAF 743</b>	610	1160	490	380	550	510
<b>LAF 763</b>	680	1300	530	490	550	630
<b>LAF 773</b>	790	1670	680	620	550	760

# C

kW/rpm	BHP	(KW)	BHP	(KW)	BHP	(KW)
<b>LAF 665</b>	1200 rpm		1600 rpm		1800 rpm	
0,77	1238	(924)	1651	(1232)	1857	(1386)
<b>LAF 675</b>	1200 rpm		1600 rpm		1800 rpm	
0,77	1238	(924)	1651	(1232)	1857	(1386)
<b>LAF 743</b>	1200 rpm		1600 rpm		1800 rpm	
1,00	1608	(1200)	2144	(1600)	2412	(1800)
0,97	1560	(1164)	2080	(1552)	2340	(1746)
<b>LAF 763</b>	1200 rpm		1600 rpm		1800 rpm	
1,00	1608	(1200)	2144	(1600)	2412	(1800)
0,97	1560	(1164)	2080	(1552)	2340	(1746)
<b>LAF 773</b>	1200 rpm		1600 rpm		1800 rpm	
1,00	1608	(1200)	2144	(1600)	2412	(1800)

Dry weight including all accessories.





L1	L2	L4 SAE 1	L4 SAE 0	L4 SAE 00	L6
101	881	-	1042	1042	1200
101	892	-	1053	1053	1200
107	933	-	-	1142	1190
107	934	-	-	1143	1190
107	951	-	-	-	1190

**WEIGHT**
**REDUCTION RATIOS**

kg (lbs)

1800	(3960)	3,536; 4,080; 4,560; 5,044; 5,571; 5,950
2450	(5390)	6,417; 6,739; 7,091; 7,476
1600	(3520)	2,467; 3,038; 3,550
1600	(3520)	3,952
2100	(4620)	4,192; 4,625; 5,136; 5,750
2100	(4620)	5,913
3000	(6600)	6,154; 6,440; 7,087; 7,454

# Continuous Duty

## LAF 843 – 873



Product brochure

- Special ratio available on request
- Available as hybrid ready on request
- Reduction gearbox type AF without clutch available on request
- Available as horizontally offset configuration on request

### Main Dimensions mm (Vertically offset configuration)

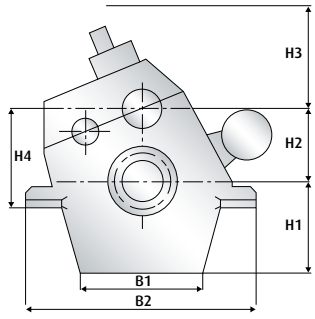
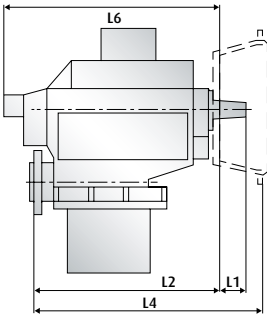
Model	B1	B2	H1	H2	H3	H4
<b>LAF 843</b>	680	1300	530	425	550	565
<b>LAF 863</b>	705	1400	590	540	550	690
<b>LAF 873</b>	860	1650	750	670	550	710



kW/rpm    BHP    (KW)    BHP    (KW)    BHP    (KW)

LAF 843	1200 rpm		1600 rpm		1800 rpm	
1,45	2332	(1740)	3109	(2320)	3497	(2610)
1,38	2219	(1656)	2959	(2208)	3329	(2484)
1,27	2042	(1524)	2723	(2032)	3063	(2286)
LAF 863	1200 rpm		1600 rpm		1800 rpm	
1,45	2332	(1740)	3109	(2320)	3497	(2610)
1,38	2219	(1656)	2959	(2208)	3329	(2484)
LAF 873	1200 rpm		1600 rpm		1800 rpm	
1,45	2332	(1740)	3109	(2320)	3497	(2610)
1,38	2219	(1656)	2959	(2208)	3329	(2484)

Dry weight including all accessories.



L1	L2	L4 SAE 1	L4 SAE 0	L4 SAE 00	L6
123	970	-	-	-	1280
123	1000	-	-	-	1280
123	1030	-	-	-	1280

**WEIGHT**
**REDUCTION RATIOS**

kg (lbs)

2640	(5808)	2,091; 3,080; 3,500
2640	(5808)	3,905
2640	(5808)	4,087
2850	(6270)	4,458; 4,954
2850	(6270)	5,500; 5,842
3850	(8470)	6,440; 7,087
3850	(8470)	7,454; 7,526

# Continuous Duty

## LAF 1143 – 1173



Product brochure

- Special ratio available on request
- Available as hybrid ready on request
- Reduction gearbox type AF without clutch available on request
- Available as horizontally offset configuration on request

### Main Dimensions mm (Vertically offset configuration)

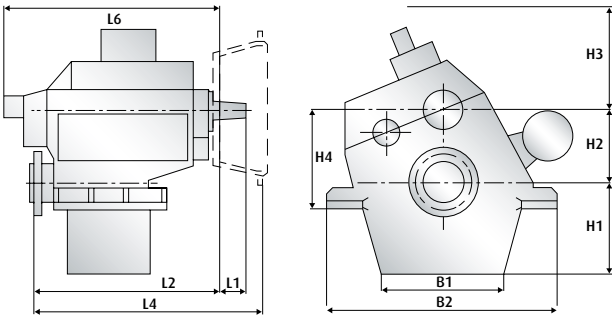
Model	B1	B2	H1	H2	H3	H4
<b>LAF 1143</b>	705	1400	590	450	650	600
<b>LAF 1163</b>	855	1520	660	590	650	750
<b>LAF 1173</b>						



kW/rpm    BHP    (KW)    BHP    (KW)    BHP    (KW)

<b>LAF 1143</b>	1200 rpm		1600 rpm		1800 rpm	
1,70	2734	(2040)	3645	(2720)	4100	(3060)
1,60	2573	(1920)	3430	(2560)	3859	(2880)
1,48	2380	(1776)	3173	(2368)	3570	(2664)
<b>LAF 1163</b>	1200 rpm		1600 rpm		1800 rpm	
1,70	2734	(2040)	3645	(2720)	4100	(3060)
1,53	2460	(1836)	3280	(2448)	3690	(2754)
1,45	2332	(1740)	3109	(2320)	3497	(2610)
<b>LAF 1173</b>	1200 rpm		1600 rpm		1800 rpm	
1,63	2621	(1956)	3495	(2608)	3932	(2934)
1,50	2412	(1800)	3216	(2400)	3618	(2700)

Dry weight including all accessories.



L1	L2	L4 SAE 1	L4 SAE 0	L4 SAE 00	L6
142	1053	-	-	-	1368
142	1085	-	-	-	1368
on request					

**WEIGHT**
**REDUCTION RATIOS**

kg (lbs)

2450	(5390)	1,966; 2,429; 3,037
2450	(5390)	3,500
2450	(5390)	3,909
3300	(7260)	4,500; 4,958
3300	(7260)	5,500
3300	(7260)	5,810
4600	(10120)	6,696
4600	(10120)	7,046; 7,429

# Continuous Duty

## LAF 1543 – 1963



Product brochure

- Special ratio available on request
- Available as hybrid ready on request
- Reduction gearbox type AF without clutch available on request
- Available as horizontally offset configuration on request

### Main Dimensions mm (Vertically offset configuration)

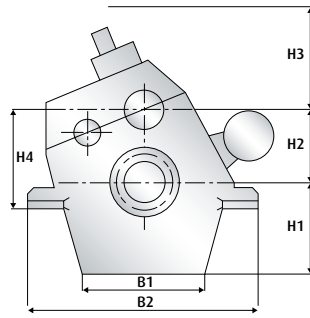
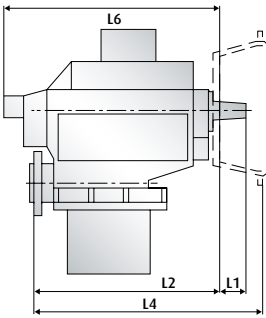
Model	B1	B2	H1	H2	H3	H4
<b>LAF 1543</b>	855	1520	660	490	650	650
<b>LAF 1563</b>	925	1620	675	630	650	790
<b>LAF 1943</b>	925	1620	675	485	600	645
<b>LAF 1963</b>	970	1680	720	675	600	845



kW/rpm    BHP    (KW)    BHP    (KW)    BHP    (KW)

LAF 1543	1200 rpm		1500 rpm		1600 rpm	
2,10	3377	(2520)	4221	(3150)	4502	(3360)
1,90	3055	(2280)	3819	(2850)	4074	(3040)
LAF 1563	1200 rpm		1500 rpm		1600 rpm	
2,10	3377	(2520)	4221	(3150)	4502	(3360)
1,80	2894	(2160)	3618	(2700)	3859	(2880)
LAF 1943	1200 rpm		1500 rpm		1600 rpm	
2,45	3940	(2940)	4925	(3675)	5253	(3920)
2,20	3538	(2640)	4422	(3300)	4717	(3520)
LAF 1963	1200 rpm		1500 rpm		1600 rpm	
2,45	3940	(2940)	4925	(3675)	5253	(3920)
2,20	3538	(2640)	4422	(3300)	4717	(3520)

Dry weight including all accessories.



L1	L2	L4 SAE 1	L4 SAE 0	L4 SAE 00	L6
154	1133	-	-	-	1413
154	1163	-	-	-	1413
162	1261	-	-	-	1556
162	1281	-	-	-	1556

**WEIGHT**
**REDUCTION RATIOS**

kg (lbs)

3000	(6600)	2,032; 2,467; 3,038
3000	(6600)	3,522; 3,857
4000	(8800)	4,429; 4,846
4000	(8800)	5,375; 5,954
4060	(8932)	2,059; 2,467; 2,962
4060	(8932)	3,522; 3,952
4940	(10868)	4,467
4940	(10868)	4,857; 5,560; 5,952

# Continuous Duty

## VLJ 1130 – 2230



Product brochure

- Special ratio available on request
- Reduction gearbox with hydraulically operated clutch for waterjet application
- Available as horizontally offset configuration on request. Further sizes on request

### Main Dimensions mm (Vertically offset configuration)

Model	B1	B2	H1	H2	H3
<b>VLJ 1130</b>	850	-	425	425	570
<b>VLJ 1930</b>	800	-	400	390	700
<b>VLJ 2230</b>	920	-	460	460	600

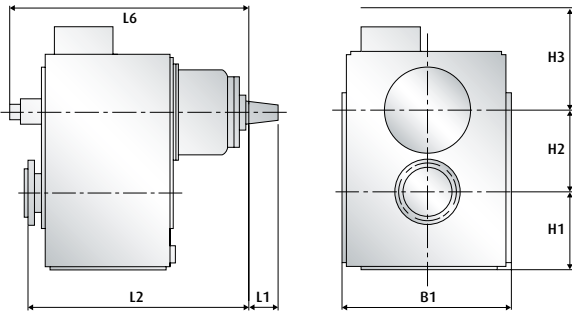


kW/rpm    BHP    (KW)    BHP    (KW)    BHP    (KW)

<b>VLJ 1130</b>	1000 rpm		1200 rpm		1950 rpm	
1,85	2479	(1850)	2975	(2220)	4834	(3608)
1,78	2385	(1780)	2862	(2136)	4651	(3471)
<b>VLJ 1930</b>	1000 rpm		1200 rpm		1950 rpm	
2,00	2680	(2000)	3216	(2400)	5226	(3900)
1,85	2479	(1850)	2975	(2220)	4834	(3608)
<b>VLJ 2230</b>	1000 rpm		1200 rpm		1950 rpm	
2,45	3283	(2450)	3940	(2940)	6402	(4778)
2,30	3082	(2300)	3698	(2760)	6010	(4485)

Dry weight including all accessories.





L1	L2	L4 SAE 1	L4 SAE 0	L4 SAE 00	L6
154	1095	-	-	-	1240
154	1032	-	-	-	1300
162	1150	-	-	-	1300

### WEIGHT

kg (lbs)

### REDUCTION RATIOS

>> standard engine operating up to 5000 hours/year

1300 (2860) 1,512#; 2,433

1300 (2860) 2,962#

>> standard engine operating up to 5000 hours/year

1150 (2530) 1,410#; 2,032#

1150 (2530) 2,458#; 2,952; 3,368#

>> standard engine operating up to 5000 hours/year

1600 (3520) 1,513#; 2,122

1600 (3520) 2,548; 2,828

# Continuous Duty

## WAF 2346 – 3455



Product brochure

- Special ratio available on request
- Available as hybrid ready on request
- Reduction gearbox type AF without clutch available on request
- Available as horizontally offset configuration on request

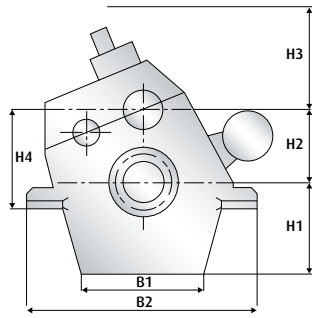
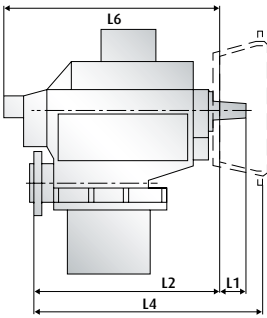
### Main Dimensions mm (Vertically offset configuration)

Model	B1	B2	H1	H2	H3	H4
<b>WAF 2346</b>	730	1550	630	560	600	720
<b>WAF 2355</b>	920	1780	730	660	600	820
<b>WAF 2365</b>	1050	2120	770	760	600	920
<b>WAF 2375</b>	900	2120	875	865	700	1085
<b>WAF 3445</b>	790	1660	660	600	560	760
<b>WAF 3455</b>	930	1880	770	710	700	870

**C**

kW/rpm	BHP	(KW)	BHP	(KW)	BHP	(KW)
<b>WAF 2346</b>	750 rpm		1000 rpm		1100 rpm	
2,45	2462	(1838)	3283	(2450)	3611	(2695)
<b>WAF 2355</b>	750 rpm		1000 rpm		1100 rpm	
2,45	2462	(1838)	3283	(2450)	3611	(2695)
<b>WAF 2365</b>	750 rpm		1000 rpm		1100 rpm	
2,45	2462	(1838)	3283	(2450)	3611	(2695)
<b>WAF 2375</b>	750 rpm		1000 rpm		1100 rpm	
2,45	2462	(1838)	3283	(2450)	3611	(2695)
<b>WAF 3445</b>	750 rpm		1000 rpm		1100 rpm	
3,25	3266	(2438)	4355	(3250)	4790	(3575)
<b>WAF 3455</b>	750 rpm		1000 rpm			
3,25	3266	(2438)	4355	(3250)	-	-
3,16	3172	(2367)	4229	(3156)	-	-

Dry weight including all accessories.



L1	L2	L4 SAE 1	L4 SAE 0	L4 SAE 00	L6
200	1475	-	-	-	1800
200	1470	-	-	-	1800
200	1470	-	-	-	1800
200	1480	-	-	-	1800
200	1540	-	-	-	1870
200	1550	-	-	-	1870

**WEIGHT**

kg (lbs)

**REDUCTION RATIOS**

6000	(13200)	2,077; 2,821; 3,033; 4,042; 4,454
7000	(15400)	3,923; 4,522; 5,095; 5,762
8000	(17600)	5,074; 5,560; 5,952; 6,455
10000	(22000)	5,958; 6,440; 6,952; 7,454
7100	(15620)	2,515; 3,038; 3,462; 4,044; 4,524
8500	(18700)	4,074; 4,480; 4,956; 5,524
8500	(18700)	5,954

# Continuous Duty

## WAF 3465 – 4575



Product brochure

- Special ratio available on request
- Available as hybrid ready on request
- Reduction gearbox type AF without clutch available on request
- Available as horizontally offset configuration on request

### Main Dimensions mm (Vertically offset configuration)

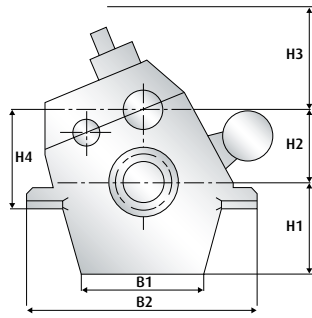
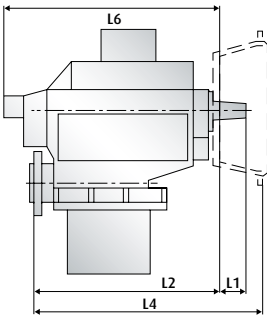
Model	B1	B2	H1	H2	H3	H4
<b>WAF 3465</b>	930	2100	850	815	700	975
<b>WAF 3475</b>	1150	2380	970	925	700	1095
<b>WAF 4545</b>	930	1880	770	650	600	810
<b>WAF 4555</b>	960	1980	810	765	600	935
<b>WAF 4566</b>	1240	2400	935	885	730	1065
<b>WAF 4575</b>	1480	2750	1055	1010	730	1190

**C**

kW/rpm    BHP    (KW)    BHP    (KW)    BHP    (KW)

<b>WAF 3465</b>	750 rpm		1000 rpm			
3,25	3266	(2438)	4355	(3250)	-	-
2,97	2980	(2224)	3973	(2965)	-	-
<b>WAF 3475</b>	750 rpm		1000 rpm			
3,25	3266	(2438)	4355	(3250)	-	-
<b>WAF 4545</b>	750 rpm		1000 rpm			
3,80	3819	(2850)	5092	(3800)	-	-
<b>WAF 4555</b>	750 rpm		1000 rpm			
3,80	3819	(2850)	5092	(3800)	-	-
<b>WAF 4566</b>	750 rpm		1000 rpm			
3,80	3819	(2850)	5092	(3800)	-	-
<b>WAF 4575</b>	750 rpm		1000 rpm			
3,80	3819	(2850)	5092	(3800)	-	-

Dry weight including all accessories.



L1	L2	L4 SAE 1	L4 SAE 0	L4 SAE 00	L6
200	1550	-	-	-	1870
200	1570	-	-	-	1870
235	1630	-	-	-	1970
235	1655	-	-	-	1970
235	1695	-	-	-	2050
235	1695	-	-	-	2050

**WEIGHT**
**REDUCTION RATIOS**

kg (lbs)

10400	(22880)	5,077; 5,583; 5,870
10400	(22880)	6,954
11500	(25300)	6,087#; 6,409#; 7,136#; 7,524
8900	(19580)	2,081; 2,931; 3,952; 4,429
10500	(23100)	3,960; 4,583; 5,091; 5,773
12600	(27720)	4,955#; 5,455; 6,091; 6,429; 6,818#
14100	(31020)	6,120#; 6,739; 7,091#; 7,476#

# Continuous Duty

## WAF 4645 – 6745



Product brochure

- Special ratio available on request
- Available as hybrid ready on request
- Reduction gearbox type AF without clutch available on request
- Available as horizontally offset configuration on request

### Main Dimensions mm (Vertically offset configuration)

Model	B1	B2	H1	H2	H3	H4
<b>WAF 5645</b>	1100	1980	810	690	700	860
<b>WAF 5655</b>	1275	2240	870	815	700	995
<b>WAF 5666</b>	1395	2420	980	935	700	1135
<b>WAF 5675</b>	1600	2700	1110	1055	700	1255
<b>WAF 6745</b>	1275	2240	870	735	950	915

**C**

kW/rpm    BHP    (KW)    BHP    (KW)    BHP    (KW)

**WAF 5645**                      750 rpm                      900 rpm

5,00    5025    (3750)    6030    (4500)    -    -

**WAF 5655**                      750 rpm                      900 rpm

5,00    5025    (3750)    6030    (4500)    -    -

**WAF 5666**                      750 rpm                      900 rpm

5,00    5025    (3750)    6030    (4500)    -    -

4,79    4815    (3593)    5778    (4312)    -    -

**WAF 5675**                      750 rpm                      900 rpm

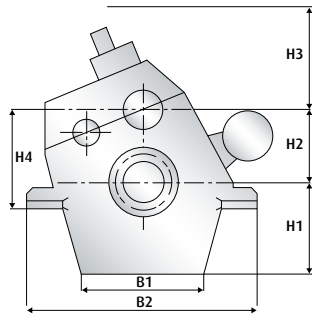
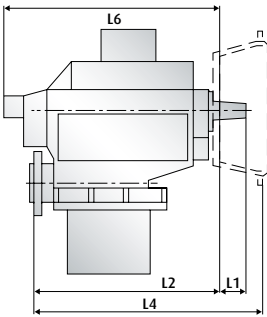
5,00    5025    (3750)    6030    (4500)    -    -

**WAF 6745**                      750 rpm                      900 rpm

6,00    6030    (4500)    7236    (5400)    -    -

5,97    6000    (4478)    7200    (5373)    -    -

Dry weight including all accessories.



L1	L2	L4 SAE 1	L4 SAE 0	L4 SAE 00	L6
250	1725	-	-	-	2090
250	1765	-	-	-	2090
250	1770	-	-	-	2090
250	1810	-	-	-	2090
265	1870	-	-	-	2220

**WEIGHT**

kg (lbs)

**REDUCTION RATIOS**

11600	(25520)	2,469; 3,080; 3,440; 4,550
13200	(29040)	4,042; 4,458; 4,954; 5,550
14800	(32560)	5,044; 5,864; 6,550
14800	(32560)	6,857
18000	(39600)	6,125#; 6,476#; 7,143#; 7,550#
15000	(33000)	2,028; 3,542; 3,954
15000	(33000)	4,450

# Continuous Duty

## WAF 6755 – 7760



Product brochure

- Special ratio available on request
- Available as hybrid ready on request
- Reduction gearbox type AF without clutch available on request
- Available as horizontally offset configuration on request

### Main Dimensions mm (Vertically offset configuration)

Model	B1	B2	H1	H2	H3	H4
<b>WAF 6755</b>	1280	2280	930	880	950	1080
<b>WAF 6766</b>	1500	2450	1040	1000	1000	1260
<b>WAF 7740</b>	1280	2280	930	800	900	1000
<b>WAF 7750</b>	1300	2300	910	900	900	1100
<b>WAF 7760</b>	1500	2450	1040	1050	1000	1310

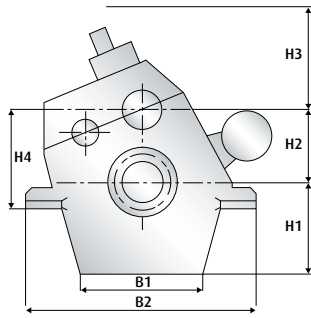
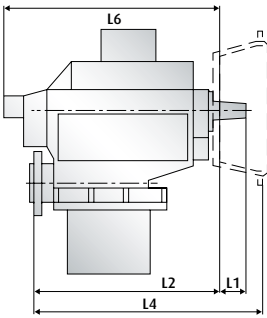
**C**

kW/rpm    BHP    (KW)    BHP    (KW)    BHP    (KW)

<b>WAF 6755</b>	750 rpm		900 rpm			
6,00	6030	(4500)	7236	(5400)	-	-
<b>WAF 6766</b>	750 rpm		900 rpm			
6,00	6030	(4500)	7236	(5400)	-	-
5,95	5980	(4462)	7176	(5355)	-	-
<b>WAF 7740</b>	750 rpm					
7,87	7909	(5902)	-	-	-	-
<b>WAF 7750</b>	750 rpm		0 rpm		0 rpm	
7,87	7909	(5902)	-	-	-	-
<b>WAF 7760</b>	750 rpm					
7,87	7909	(5902)	-	-	-	-

Dry weight including all accessories.





L1	L2	L4 SAE 1	L4 SAE 0	L4 SAE 00	L6
265	1875	-	-	-	2220
265	1915	-	-	-	2220
305	1985	-	-	-	2390
305	2030	-	-	-	2390
305	2110	-	-	-	2390

**WEIGHT**

kg (lbs)

**REDUCTION RATIOS**

17000	(37400)	4,042#; 4,455; 5,050; 5,550
18000	(39600)	4,960#; 5,478; 6,095#
18000	(39600)	6,450
17000	(37400)	2,929#; 3,478#; 4,046; 4,238
18000	(39600)	4,167#; 4,636; 4,905; 5,304
25000	(55000)	5,136#; 5,429; 5,905#; 6,476

# Continuous Duty

## LAF 2346 – 2355



Product brochure

- Special ratio available on request
- Available as hybrid ready on request
- Reduction gearbox type AF without clutch available on request
- Available as horizontally offset configuration on request

### Main Dimensions mm (Vertically offset configuration)

Model	B1	B2	H1
<b>LAF 2346</b>	730	1550	630
<b>LAF 2355</b>	920	1780	730



kW/rpm    BHP    (KW)    BHP    (KW)    BHP    (KW)

**LAF 2346**                      750 rpm                      1000 rpm                      1100 rpm

3,40    3417    (2550)    4556    (3400)    5012    (3740)

3,00    3015    (2250)    4020    (3000)    4422    (3300)

2,80    2814    (2100)    3752    (2800)    4127    (3080)

**LAF 2355**                      750 rpm                      1000 rpm                      1100 rpm

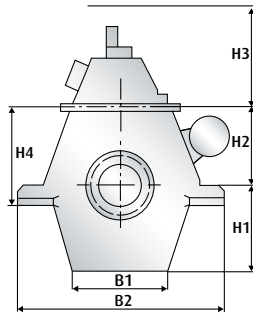
3,40    3417    (2550)    4556    (3400)    5012    (3740)

3,31    3327    (2482)    4435    (3310)    4879    (3641)

3,06    3075    (2295)    4100    (3060)    4510    (3366)

2,67    2683    (2002)    3578    (2670)    3936    (2937)

Dry weight including all accessories.



H2	H3	H4
560	600	720
660	600	820

### WEIGHT

kg (lbs)

### REDUCTION RATIOS

5300	(11660)	2,077; 3,033
5300	(11660)	4,042
5300	(11660)	4,454
6300	(13860)	3,923
6300	(13860)	4,522
6300	(13860)	5,095
6300	(13860)	5,762

# Continuous Duty

## LAF 2365 – 2375



Product brochure

- Special ratio available on request
- Available as hybrid ready on request
- Reduction gearbox type AF without clutch available on request
- Available as horizontally offset configuration on request

### Main Dimensions mm (Vertically offset configuration)

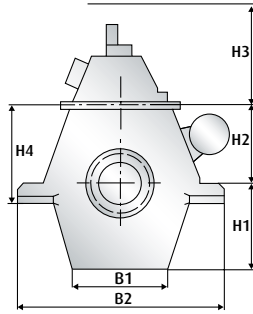
Model	B1	B2	H1
<b>LAF 2365</b>	1050	2120	770
<b>LAF 2375</b>	900	2120	875



kW/rpm    BHP    (KW)    BHP    (KW)    BHP    (KW)

<b>LAF 2365</b>	750 rpm		1000 rpm		1100 rpm	
3,40	3417	(2550)	4556	(3400)	5012	(3740)
3,19	3206	(2392)	4275	(3190)	4702	(3509)
2,94	2955	(2205)	3940	(2940)	4334	(3234)
2,81	2824	(2108)	3765	(2810)	4142	(3091)
<b>LAF 2375</b>	750 rpm		1000 rpm		1100 rpm	
3,32	3337	(2490)	4449	(3320)	4894	(3652)
3,20	3216	(2400)	4288	(3200)	4717	(3520)
2,94	2955	(2205)	3940	(2940)	4334	(3234)
2,81	2824	(2108)	3765	(2810)	4142	(3091)

Dry weight including all accessories.



H2	H3	H4
760	600	920
865	700	1085

### WEIGHT

### REDUCTION RATIOS

kg (lbs)

7200	(15840)	5,074
7200	(15840)	5,560
7200	(15840)	5,952
7200	(15840)	6,455
9200	(20240)	5,958
9200	(20240)	6,440
9200	(20240)	6,952
9200	(20240)	7,454

# Continuous Duty

## LAF 3445 – 3455



Product brochure

- Special ratio available on request
- Available as hybrid ready on request
- Reduction gearbox type AF without clutch available on request
- Available as horizontally offset configuration on request

### Main Dimensions mm (Vertically offset configuration)

Model	B1	B2	H1
<b>LAF 3445</b>	790	1660	660
<b>LAF 3455</b>	930	1880	770



kW/rpm    BHP    (KW)    BHP    (KW)    BHP    (KW)

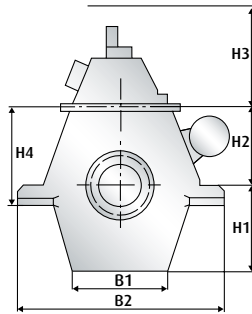
**LAF 3445**                      750 rpm                      1000 rpm

4,35	4372	(3262)	5829	(4350)	-	-
4,15	4171	(3113)	5561	(4150)	-	-
3,90	3920	(2925)	5226	(3900)	-	-
3,62	3638	(2715)	4851	(3620)	-	-
3,42	3437	(2565)	4583	(3420)	-	-

**LAF 3455**                      750 rpm                      1000 rpm

4,35	4372	(3262)	5829	(4350)	-	-
4,10	4120	(3075)	5494	(4100)	-	-
3,73	3752	(2800)	5002	(3733)	-	-
3,16	3172	(2367)	4229	(3156)	-	-

Dry weight including all accessories.



H2	H3	H4
600	560	760
710	700	870

### WEIGHT

kg (lbs)

### REDUCTION RATIOS

6400	(14080)	2,515
6400	(14080)	3,038
6400	(14080)	3,462
6400	(14080)	4,044
6400	(14080)	4,524
7800	(17160)	4,074; 4,480
7800	(17160)	4,956
7800	(17160)	5,524
7800	(17160)	5,954

# Continuous Duty

## LAF 3465 – 3475



Product brochure

- Special ratio available on request
- Available as hybrid ready on request
- Reduction gearbox type AF without clutch available on request
- Available as horizontally offset configuration on request

### Main Dimensions mm (Vertically offset configuration)

Model	B1	B2	H1
<b>LAF 3465</b>	930	2100	850
<b>LAF 3475</b>	1150	2380	970



kW/rpm    BHP    (KW)    BHP    (KW)    BHP    (KW)

#### LAF 3465

750 rpm

1000 rpm

4,35	4372	(3262)	5829	(4350)	-	-
4,17	4191	(3128)	5588	(4170)	-	-
3,97	3986	(2974)	5314	(3966)	-	-
2,97	2980	(2224)	3973	(2965)	-	-

#### LAF 3475

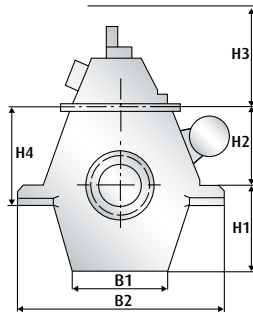
750 rpm

1000 rpm

4,35	4372	(3262)	5829	(4350)	-	-
4,22	4245	(3168)	5660	(4224)	-	-
3,79	3813	(2846)	5084	(3794)	-	-
3,60	3616	(2698)	4821	(3598)	-	-

Dry weight including all accessories.





H2	H3	H4
815	700	975
925	700	1095

### WEIGHT

kg (lbs)

### REDUCTION RATIOS

9700	(21340)	5,077
9700	(21340)	5,583
9700	(21340)	5,870
9700	(21340)	6,954
10800	(23760)	6,087#
10800	(23760)	6,409#
10800	(23760)	7,136#
10800	(23760)	7,524

# Continuous Duty

## LAF 4545 – 4555



Product brochure

- Special ratio available on request
- Available as hybrid ready on request
- Reduction gearbox type AF without clutch available on request
- Available as horizontally offset configuration on request

### Main Dimensions mm (Vertically offset configuration)

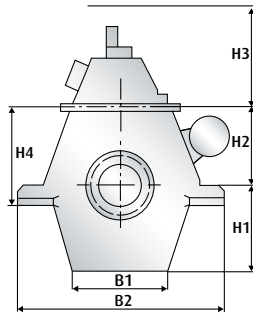
Model	B1	B2	H1
<b>LAF 4545</b>	930	1880	770
<b>LAF 4555</b>	960	1980	810



kW/rpm    BHP    (KW)    BHP    (KW)    BHP    (KW)

<b>LAF 4545</b>	750 rpm		1000 rpm			
5,50	5528	(4125)	7370	(5500)	-	-
4,40	4422	(3300)	5896	(4400)	-	-
4,02	4040	(3015)	5387	(4020)	-	-
<b>LAF 4555</b>	750 rpm		1000 rpm			
5,22	5246	(3915)	6995	(5220)	-	-
4,64	4663	(3480)	6218	(4640)	-	-
4,25	4271	(3188)	5695	(4250)	-	-
3,82	3839	(2865)	5119	(3820)	-	-

Dry weight including all accessories.



H2	H3	H4
650	750	810
765	750	935

### WEIGHT

### REDUCTION RATIOS

kg (lbs)

8000	(17600)	2,081; 2,931
8000	(17600)	3,952
8000	(17600)	4,429
9500	(20900)	3,960
9500	(20900)	4,583
9500	(20900)	5,091
9500	(20900)	5,773

# Continuous Duty

## LAF 4566 – 4575



Product brochure

- Special ratio available on request
- Available as hybrid ready on request
- Reduction gearbox type AF without clutch available on request
- Available as horizontally offset configuration on request

### Main Dimensions mm (Vertically offset configuration)

Model	B1	B2	H1
<b>LAF 4566</b>	1240	2400	935
<b>LAF 4575</b>	1480	2750	1055



kW/rpm    BHP    (KW)    BHP    (KW)    BHP    (KW)

#### LAF 4566

750 rpm

1000 rpm

5,02	5045	(3765)	6727	(5020)	-	-
4,60	4623	(3450)	6164	(4600)	-	-
4,22	4241	(3165)	5655	(4220)	-	-
4,02	4040	(3015)	5387	(4020)	-	-
3,82	3839	(2865)	5119	(3820)	-	-

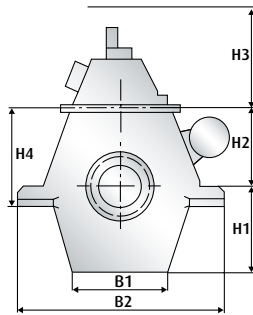
#### LAF 4575

750 rpm

1000 rpm

4,74	4764	(3555)	6352	(4740)	-	-
4,36	4382	(3270)	5842	(4360)	-	-
4,18	4201	(3135)	5601	(4180)	-	-
3,99	4010	(2992)	5347	(3990)	-	-

Dry weight including all accessories.



H2	H3	H4
885	750	1065
1010	750	1190

### WEIGHT

kg (lbs)

### REDUCTION RATIOS

11100	(24420)	4,955#
11100	(24420)	5,455
11100	(24420)	6,091
11100	(24420)	6,429
11100	(24420)	6,818#
13100	(28820)	6,120#
13100	(28820)	6,739
13100	(28820)	7,091#
13100	(28820)	7,476#

# Continuous Duty

## LAF 5645 – 5655



Product brochure

- Special ratio available on request
- Available as hybrid ready on request
- Reduction gearbox type AF without clutch available on request
- Available as horizontally offset configuration on request

### Main Dimensions mm (Vertically offset configuration)

Model	B1	B2	H1
<b>LAF 5645</b>	1100	1980	810
<b>LAF 5655</b>	1275	2240	870



kW/rpm    BHP    (KW)    BHP    (KW)    BHP    (KW)

#### LAF 5645

750 rpm

900 rpm

7,00	7035	(5250)	8442	(6300)	-	-
6,77	6804	(5078)	8165	(6093)	-	-
6,32	6352	(4740)	7622	(5688)	-	-
5,09	5115	(3818)	6139	(4581)	-	-

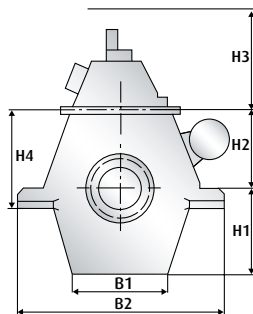
#### LAF 5655

750 rpm

900 rpm

6,57	6603	(4928)	7923	(5913)	-	-
6,07	6100	(4552)	7320	(5463)	-	-
5,56	5588	(4170)	6705	(5004)	-	-
5,06	5085	(3795)	6102	(4554)	-	-

Dry weight including all accessories.



H2	H3	H4
690	900	860
815	900	995

### WEIGHT

kg (lbs)

### REDUCTION RATIOS

10600	(23320)	2,469
10600	(23320)	3,080
10600	(23320)	3,440
10600	(23320)	4,550
12200	(26840)	4,042
12200	(26840)	4,458
12200	(26840)	4,954
12200	(26840)	5,550

# Continuous Duty

## LAF 5666 – 5675



Product brochure

- Special ratio available on request
- Available as hybrid ready on request
- Reduction gearbox type AF without clutch available on request
- Available as horizontally offset configuration on request

### Main Dimensions mm (Vertically offset configuration)

Model	B1	B2	H1
<b>LAF 5666</b>	1395	2420	980
<b>LAF 5675</b>	1600	2700	1110



kW/rpm    BHP    (KW)    BHP    (KW)    BHP    (KW)

#### LAF 5666

750 rpm

900 rpm

6,36	6392	(4770)	7670	(5724)	-	-
5,60	5628	(4200)	6754	(5040)	-	-
5,09	5115	(3818)	6139	(4581)	-	-
4,79	4815	(3593)	5778	(4312)	-	-

#### LAF 5675

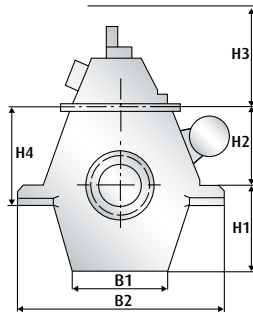
750 rpm

900 rpm

6,10	6130	(4575)	7357	(5490)	-	-
5,84	5869	(4380)	7043	(5256)	-	-
5,33	5357	(3998)	6428	(4797)	-	-
5,08	5105	(3810)	6126	(4572)	-	-

Dry weight including all accessories.





H2	H3	H4
935	900	1135
1055	900	1255

### WEIGHT

kg (lbs)

### REDUCTION RATIOS

13800	(30360)	5,044
13800	(30360)	5,864
13800	(30360)	6,550
13800	(30360)	6,857
17000	(37400)	6,125#
17000	(37400)	6,476#
17000	(37400)	7,143#
17000	(37400)	7,550#

# Continuous Duty

## LAF 6745 – 6755



Product brochure

- Special ratio available on request
- Available as hybrid ready on request
- Reduction gearbox type AF without clutch available on request
- Available as horizontally offset configuration on request

### Main Dimensions mm (Vertically offset configuration)

Model	B1	B2	H1
<b>LAF 6745</b>	1275	2240	870
<b>LAF 6755</b>	1280	2280	930



kW/rpm    BHP    (KW)    BHP    (KW)    BHP    (KW)

**LAF 6745**                      750 rpm                      900 rpm

8,40    8442    (6300)    10130    (7560)    -    -

7,17    7206    (5378)    8647    (6453)    -    -

6,57    6603    (4928)    7923    (5913)    -    -

5,97    6000    (4478)    7200    (5373)    -    -

**LAF 6755**                      750 rpm                      900 rpm

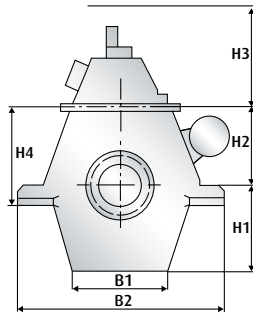
7,93    7970    (5948)    9564    (7137)    -    -

7,32    7357    (5490)    8828    (6588)    -    -

6,71    6744    (5032)    8092    (6039)    -    -

6,10    6130    (4575)    7357    (5490)    -    -

Dry weight including all accessories.



H2	H3	H4
735	900	915
880	900	1080

### WEIGHT

kg (lbs)

### REDUCTION RATIOS

14000	(30800)	2,028
14000	(30800)	3,542
14000	(30800)	3,954
14000	(30800)	4,450
16000	(35200)	4,042#
16000	(35200)	4,455
16000	(35200)	5,050
16000	(35200)	5,550

# Continuous Duty

## LAF 6766 – 7740



Product brochure

- Special ratio available on request
- Available as hybrid ready on request
- Reduction gearbox type AF without clutch available on request
- Available as horizontally offset configuration on request

### Main Dimensions mm (Vertically offset configuration)

Model	B1	B2	H1
<b>LAF 6766</b>	1500	2450	1040
<b>LAF 7740</b>	1280	2280	930



kW/rpm    BHP    (KW)    BHP    (KW)    BHP    (KW)

#### LAF 6766

750 rpm

900 rpm

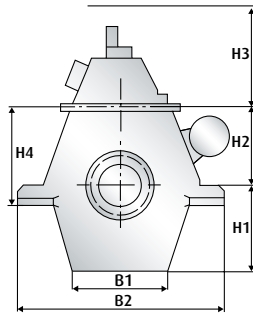
7,44	7477	(5580)	8973	(6696)	-	-
6,84	6874	(5130)	8249	(6156)	-	-
6,25	6281	(4688)	7538	(5625)	-	-
5,95	5980	(4462)	7176	(5355)	-	-

#### LAF 7740

750 rpm

11,00	11055	(8250)	-	-	-	-
10,10	10150	(7575)	-	-	-	-
9,34	9387	(7005)	-	-	-	-
8,56	8603	(6420)	-	-	-	-

Dry weight including all accessories.



H2	H3	H4
1000	900	1260
800	900	1000

### WEIGHT

kg (lbs)

### REDUCTION RATIOS

17000	(37400)	4,960#
17000	(37400)	5,478
17000	(37400)	6,095#
17000	(37400)	6,450
16000	(35200)	2,929#
16000	(35200)	3,478#
16000	(35200)	4,046
16000	(35200)	4,238

# Continuous Duty

## LAF 7750 – 7760



Product brochure

- Special ratio available on request
- Available as hybrid ready on request
- Reduction gearbox type AF without clutch available on request
- Available as horizontally offset configuration on request

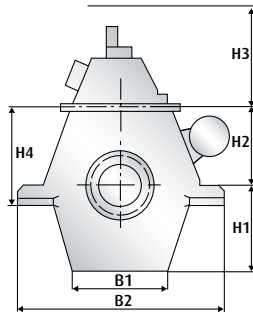
### Main Dimensions mm (Vertically offset configuration)

Model	B1	B2	H1
<b>LAF 7750</b>	1300	2300	910
<b>LAF 7760</b>	1500	2450	1040

C

kW/rpm	BHP	(KW)	BHP	(KW)	BHP	(KW)
<b>LAF 7750</b>	750 rpm		0 rpm		0 rpm	
10,07	10120	(7552)	-	-	-	-
9,23	9276	(6922)	-	-	-	-
8,81	8854	(6608)	-	-	-	-
7,91	7950	(5932)	-	-	-	-
<b>LAF 7760</b>	750 rpm		0 rpm		0 rpm	
9,86	9909	(7395)	-	-	-	-
9,41	9457	(7058)	-	-	-	-
8,77	8814	(6578)	-	-	-	-
7,98	8018	(5984)	-	-	-	-

Dry weight including all accessories.



H2	H3	H4
900	900	1100
1050	900	1310

### WEIGHT

kg (lbs)

### REDUCTION RATIOS

17000	(37400)	4,167#
17000	(37400)	4,636
17000	(37400)	4,905
17000	(37400)	5,304
23500	(51700)	5,136#
23500	(51700)	5,429
23500	(51700)	5,905#
23500	(51700)	6,476

# Continuous Duty

## VA 2451 – 2741



Product brochure

- Special ratio available on request
- Available as hybrid ready on request
- Available as horizontally offset configuration on request

### Main Dimensions mm (Vertically offset configuration)

Model	B1	B2	D1	D2	H1
<b>VA 2451</b>	1090	1650	157	600	660
<b>VA 2741</b>	800	1650	187	600	720

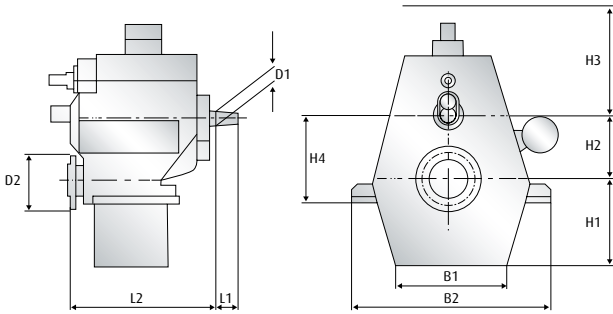


kW/rpm    BHP    (KW)    BHP    (KW)    BHP    (KW)

<b>VA 2451</b>	750 rpm		900 rpm		1200 rpm	
4,14	4161	(3105)	4993	(3726)	6657	(4968)
2,91	2925	(2182)	3509	(2619)	4679	(3492)
2,64	2653	(1980)	3184	(2376)	4245	(3168)
2,44	2452	(1830)	2943	(2196)	3924	(2928)
<b>VA 2741</b>	750 rpm		900 rpm		1200 rpm	
7,40	7437	(5550)	8924	(6660)	11899	(8880)
5,87	5899	(4402)	7079	(5283)	9439	(7044)
5,20	5226	(3900)	6271	(4680)	8362	(6240)
3,80	3819	(2850)	4583	(3420)	6110	(4560)

Dry weight including all accessories.





H2	H3	H4	L1	L2
600	890	820	183	1487
560	840	760	237	1407

### WEIGHT

kg (lbs)

### REDUCTION RATIOS

5100	(11220)	3,179#
5100	(11220)	4,526#
5100	(11220)	5,053
5100	(11220)	5,450#
5500	(12100)	1,500#
5500	(12100)	2,462
5500	(12100)	3,046
5500	(12100)	3,944

# Continuous Duty

## VA 3451 – 3462



Product brochure

- Special ratio available on request
- Available as hybrid ready on request
- Available as horizontally offset configuration on request

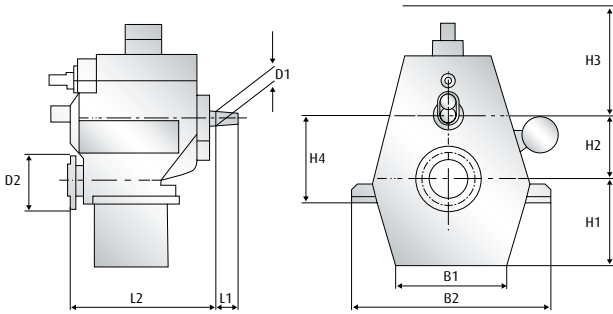
### Main Dimensions mm (Vertically offset configuration)

Model	B1	B2	D1	D2	H1
<b>VA 3451</b>	1100	2000	187	650	860
<b>VA 3462</b>	1720	2150	187	650	900

**C**

kW/rpm	BHP	(KW)	BHP	(KW)	BHP	(KW)
<b>VA 3451</b>	750 rpm		900 rpm		1200 rpm	
5,50	5528	(4125)	6633	(4950)	8844	(6600)
5,10	5126	(3825)	6151	(4590)	8201	(6120)
4,64	4663	(3480)	5596	(4176)	7461	(5568)
4,06	4083	(3047)	4900	(3657)	6533	(4876)
<b>VA 3462</b>	750 rpm		900 rpm		1200 rpm	
5,00	5025	(3750)	6030	(4500)	8040	(6000)
4,71	4734	(3532)	5680	(4239)	7574	(5652)
4,45	4472	(3338)	5367	(4005)	7156	(5340)

Dry weight including all accessories.



H2	H3	H4	L1	L2
720	860	940	237	1450
820	1080	1040	237	1666

### WEIGHT

kg (lbs)

### REDUCTION RATIOS

8700	(19140)	4,095#
8700	(19140)	4,476
8700	(19140)	5,053
8700	(19140)	5,273
10200	(22440)	5,286
10200	(22440)	5,650
10200	(22440)	5,905#

# Continuous Duty

## VA 3541 – 4851



Product brochure

- Special ratio available on request
- Available as hybrid ready on request
- Available as horizontally offset configuration on request

### Main Dimensions mm (Vertically offset configuration)

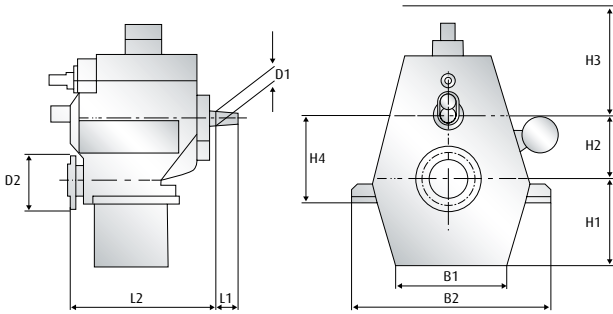
Model	B1	B2	D1	D2	H1
<b>VA 3541</b>	1000	1780	197	650	760
<b>VA 4851</b>	1230	2250	197	750	900



kW/rpm    BHP    (KW)    BHP    (KW)    BHP    (KW)

<b>VA 3541</b>	750 rpm		900 rpm		1200 rpm	
10,10	10150	(7575)	12181	(9090)	16241	(12120)
9,70	9748	(7275)	11698	(8730)	15598	(11640)
7,45	7487	(5588)	8985	(6705)	11980	(8940)
5,26	5286	(3945)	6344	(4734)	8458	(6312)
<b>VA 4851</b>	750 rpm		900 rpm		1200 rpm	
8,40	8442	(6300)	10130	(7560)	13507	(10080)
7,90	7940	(5925)	9527	(7110)	12703	(9480)
7,00	7035	(5250)	8442	(6300)	11256	(8400)
6,90	6935	(5175)	8321	(6210)	11095	(8280)

Dry weight including all accessories.



H2	H3	H4	L1	L2
630	840	850	251	1485
820	970	1040	263	1566

### WEIGHT

kg (lbs)

### REDUCTION RATIOS

7600	(16720)	1,514#
7600	(16720)	2,032#
7600	(16720)	3,044
7600	(16720)	4,050#
12000	(26400)	3,818
12000	(26400)	4,048
12000	(26400)	4,546
12000	(26400)	4,809#

# Continuous Duty

## VA 4855 – 4941



Product brochure

- Special ratio available on request
- Available as hybrid ready on request
- Available as horizontally offset configuration on request

### Main Dimensions mm (Vertically offset configuration)

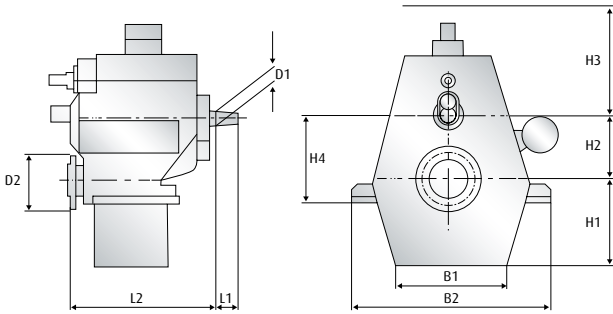
Model	B1	B2	D1	D2	H1
<b>VA 4855</b>	1220	2000	217	750	880
<b>VA 4941</b>					

**C**

kW/rpm    BHP    (KW)    BHP    (KW)    BHP    (KW)

<b>VA 4855</b>	750 rpm		900 rpm		1200 rpm	
10,97	11025	(8228)	13230	(9873)	17640	(13164)
9,13	9176	(6848)	11011	(8217)	14681	(10956)
8,11	8151	(6082)	9781	(7299)	13041	(9732)
<b>VA 4941</b>	750 rpm		900 rpm		1200 rpm	
10,67	10723	(8002)	12868	(9603)	17157	(12804)
10,14	10191	(7605)	12229	(9126)	16305	(12168)
9,40	9447	(7050)	11336	(8460)	15115	(11280)
9,00	9045	(6750)	10854	(8100)	14472	(10800)
7,07	7105	(5302)	8526	(6363)	11369	(8484)

Dry weight including all accessories.



H2	H3	H4	L1	L2
850	970	1130	306	1626
on request				

### WEIGHT

kg (lbs)

### REDUCTION RATIOS

12500	(27500)	3,542#
12500	(27500)	4,130; 4,619#
12500	(27500)	5,048#
9500	(20900)	2,276#
9500	(20900)	2,518
9500	(20900)	3,042#
9500	(20900)	3,454#
9500	(20900)	4,053#

# Continuous Duty

## VA 4945



Product brochure

- Special ratio available on request
- Available as hybrid ready on request
- Available as horizontally offset configuration on request

### Main Dimensions mm (Vertically offset configuration)

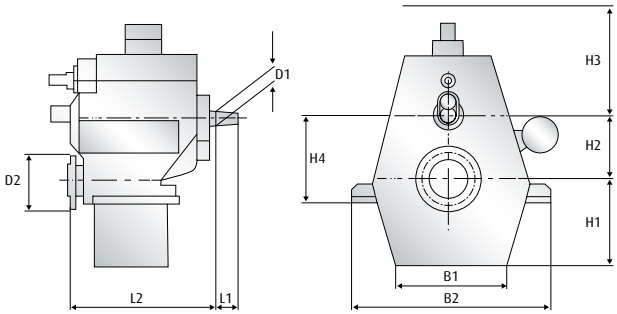
Model	B1	B2	D1	D2	H1
<b>VA 4945</b>					



kW/rpm	BHP	(KW)	BHP	(KW)	BHP	(KW)
<b>VA 4945</b>	750 rpm		900 rpm		1200 rpm	
10,14	10191	(7605)	12229	(9126)	16305	(12168)
9,40	9447	(7050)	11336	(8460)	15115	(11280)
9,00	9045	(6750)	10854	(8100)	14472	(10800)
7,07	7105	(5302)	8526	(6363)	11369	(8484)

Dry weight including all accessories.





H2

H3

H4

L1

L2

on request

**WEIGHT**

**REDUCTION RATIOS**

kg (lbs)

10800	(23760)	1,512#
10800	(23760)	2,552#
10800	(23760)	3,478#
10800	(23760)	3,905

# Continuous Duty

## SVA 630



Product brochure

- Special ratio available on request
- Available as hybrid ready on request
- Available as horizontally offset configuration on request

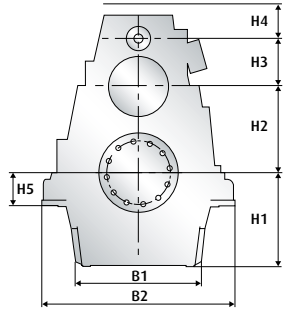
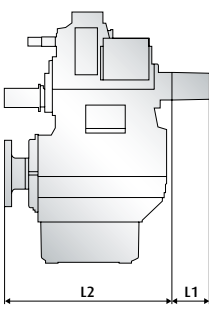
### Main Dimensions mm (Vertically offset configuration)

Model	B1	B2	H1	H2
<b>SVA 630</b>	1000	1810	790	630



kW/rpm	BHP	(KW)	BHP	(KW)	BHP	(KW)
<b>SVA 630</b>	600 rpm		750 rpm		1000 rpm	
5,70	4583	(3420)	5729	(4275)	7638	(5700)
4,90	3940	(2940)	4925	(3675)	6566	(4900)
4,40	3538	(2640)	4422	(3300)	5896	(4400)
4,20	3377	(2520)	4221	(3150)	5628	(4200)
3,30	2650	(1978)	3312	(2472)	4417	(3296)
3,20	2573	(1920)	3216	(2400)	4288	(3200)
3,00	2412	(1800)	3015	(2250)	4020	(3000)
2,90	2332	(1740)	2914	(2175)	3886	(2900)
2,20	1769	(1320)	2211	(1650)	2948	(2200)
2,00	1608	(1200)	2010	(1500)	2680	(2000)

Dry weight including all accessories.



H3	H4	H5	L1	L2
455	550	250	-	1550

### WEIGHT

kg (lbs)

### REDUCTION RATIOS

-	-	2,483
-	-	3,040; 3,067
-	-	3,591
-	-	3,810
-	-	3,293
-	-	4,083
-	-	4,304
-	-	4,545
-	-	4,913
-	-	5,181

# Continuous Duty

## SVA 750



Product brochure

- Special ratio available on request
- Available as hybrid ready on request
- Available as horizontally offset configuration on request

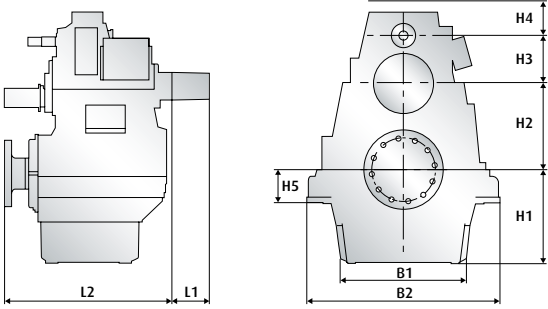
### Main Dimensions mm (Vertically offset configuration)

Model	B1	B2	H1	H2
<b>SVA 750</b>	1198	1870	870	750



kW/rpm	BHP (KW)		BHP (KW)		BHP (KW)	
	600 rpm		750 rpm		1000 rpm	
<b>SVA 750</b>						
7,70	6191	(4620)	7739	(5775)	10318	(7700)
7,10	5708	(4260)	7136	(5325)	9514	(7100)
6,60	5306	(3960)	6633	(4950)	8844	(6600)
6,10	4904	(3660)	6130	(4575)	8174	(6100)

Dry weight including all accessories.



H3	H4	H5	L1	L2
500	550	280	-	1663

### WEIGHT

kg (lbs)

### REDUCTION RATIOS

12000	(26400)	3,148
12000	(26400)	3,480
12000	(26400)	3,840; 3,870
12000	(26400)	4,261

# Continuous Duty

## SVA 800



Product brochure

- Special ratio available on request
- Available as hybrid ready on request
- Available as horizontally offset configuration on request

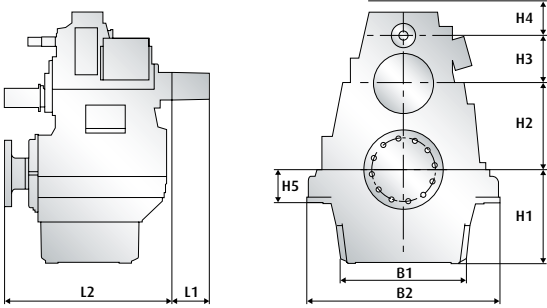
### Main Dimensions mm (Vertically offset configuration)

Model	B1	B2	H1	H2
<b>SVA 800</b>	1198	1870	870	800



kW/rpm	BHP (KW)		BHP (KW)		BHP (KW)	
	500 rpm		750 rpm		1000 rpm	
<b>SVA 800</b>	500 rpm		750 rpm		1000 rpm	
12,90	8643	(6450)	12965	(9675)	17286	(12900)
11,30	7571	(5650)	11357	(8475)	15142	(11300)
10,30	6901	(5150)	10352	(7725)	13802	(10300)
9,80	6566	(4900)	9849	(7350)	13132	(9800)
9,00	6030	(4500)	9045	(6750)	12060	(9000)
8,60	5762	(4300)	8643	(6450)	11524	(8600)
8,00	5360	(4000)	8040	(6000)	10720	(8000)
5,80	3886	(2900)	5829	(4350)	7772	(5800)

Dry weight including all accessories.



H3	H4	H5	L1	L2
500	550	280	-	1850

### WEIGHT

kg (lbs)

### REDUCTION RATIOS

13200	(29040)	2,031
13200	(29040)	2,464
13200	(29040)	2,793
13200	(29040)	3,042
13200	(29040)	3,478
13200	(29040)	3,619
13200	(29040)	3,905
13200	(29040)	4,550

# Continuous Duty

## SVA 800



Product brochure

- Special ratio available on request
- Available as hybrid ready on request
- Available as horizontally offset configuration on request

### Main Dimensions mm (Vertically offset configuration)

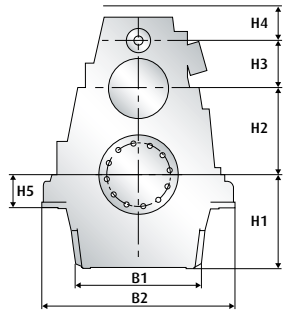
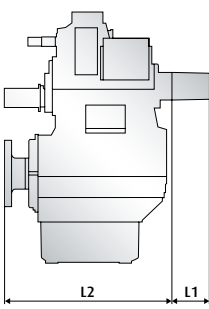
Model	B1	B2	H1	H2
<b>SVA 800</b>	1198	1870	870	800



kW/rpm	BHP	(KW)	BHP	(KW)	BHP	(KW)
<b>SVA 800-6</b>	500 rpm		750 rpm		1000 rpm	
4,40	2948	(2200)	4422	(3300)	5896	(4400)
4,20	2814	(2100)	4221	(3150)	5628	(4200)
4,00	2680	(2000)	4020	(3000)	5360	(4000)
3,00	2010	(1500)	3015	(2250)	4020	(3000)

Dry weight including all accessories.





H3	H4	H5	L1	L2
500	550	280	-	1850

### WEIGHT

kg (lbs)

### REDUCTION RATIOS

-	-	4,875
-	-	5,130
-	-	5,409
-	-	5,762

# Continuous Duty

## SVA 850



Product brochure

- Special ratio available on request
- Available as hybrid ready on request
- Available as horizontally offset configuration on request

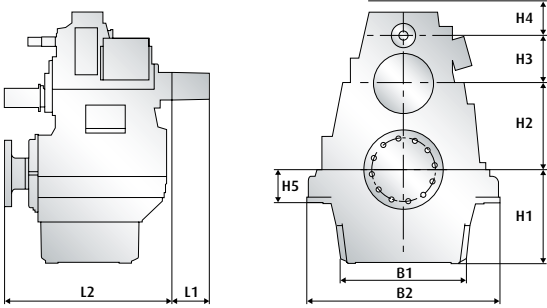
### Main Dimensions mm (Vertically offset configuration)

Model	B1	B2	H1	H2
<b>SVA 850</b>	1410	2240	1020	850



kW/rpm	BHP (KW)		BHP (KW)		BHP (KW)	
	500 rpm		750 rpm		1000 rpm	
<b>SVA 850</b>	500 rpm		750 rpm		1000 rpm	
18,30	12261	(9150)	18392	(13725)	24522	(18300)
15,50	10385	(7750)	15578	(11625)	20770	(15500)
15,00	10050	(7500)	15075	(11250)	20100	(15000)
14,00	9380	(7000)	14070	(10500)	18760	(14000)
13,90	9313	(6950)	13970	(10425)	18626	(13900)
12,40	8308	(6200)	12462	(9300)	16616	(12400)
12,00	8040	(6000)	12060	(9000)	16080	(12000)
8,60	5762	(4300)	8643	(6450)	11524	(8600)
7,90	5293	(3950)	7940	(5925)	10586	(7900)

Dry weight including all accessories.



H3	H4	H5	L1	L2
500	620	390	-	1977

### WEIGHT

kg (lbs)

### REDUCTION RATIOS

16000	(35200)	1,973
16000	(35200)	2,548
16000	(35200)	2,667
16000	(35200)	2,929
16000	(35200)	3,074
16000	(35200)	3,292
16000	(35200)	3,583; 3,783
16000	(35200)	3,917
16000	(35200)	4,364

# Continuous Duty

## SVA 850-6 – 900



Product brochure

- Special ratio available on request
- Available as hybrid ready on request
- Available as horizontally offset configuration on request

### Main Dimensions mm (Vertically offset configuration)

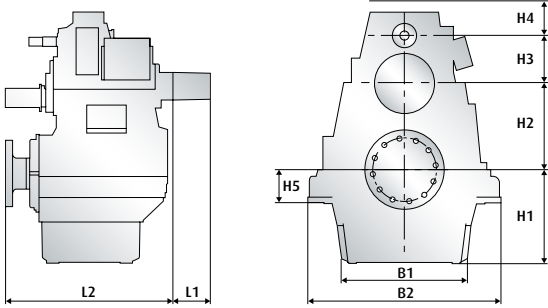
Model	B1	B2	H1	H2
<b>SVA 900</b>	1410	2240	1020	900



kW/rpm    BHP    (KW)    BHP    (KW)    BHP    (KW)

<b>SVA 850-6</b>	500 rpm		750 rpm		1000 rpm	
4,90	3283	(2450)	4925	(3675)	6566	(4900)
4,65	3116	(2325)	4673	(3488)	6231	(4650)
4,40	2948	(2200)	4422	(3300)	5896	(4400)
<b>SVA 900</b>	500 rpm		750 rpm		1000 rpm	
19,00	12730	(9500)	19095	(14250)	25460	(19000)
16,50	11055	(8250)	16582	(12375)	22110	(16500)
15,10	10117	(7550)	15176	(11325)	20234	(15100)
14,50	9715	(7250)	14572	(10875)	19430	(14500)
13,00	8710	(6500)	13065	(9750)	17420	(13000)
12,00	8040	(6000)	12060	(9000)	16080	(12000)
8,60	5762	(4300)	8643	(6450)	11524	(8600)
7,90	5293	(3950)	7940	(5925)	10586	(7900)

Dry weight including all accessories.



H3	H4	H5	L1	L2
570	750	390	-	2066

### WEIGHT

kg (lbs)

### REDUCTION RATIOS

-	-	4,900
-	-	5,211
-	-	5,571
17000	(37400)	2,028
17000	(37400)	2,516
17000	(37400)	2,880
17000	(37400)	3,037
17000	(37400)	3,542
17000	(37400)	3,955
17000	(37400)	4,208
17000	(37400)	4,682

# Continuous Duty

## SVA 900



Product brochure

- Special ratio available on request
- Available as hybrid ready on request
- Available as horizontally offset configuration on request

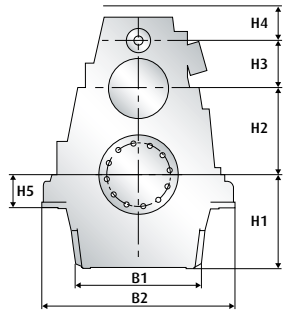
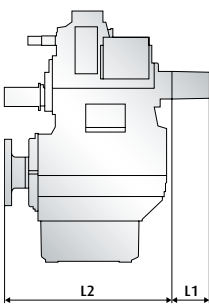
### Main Dimensions mm (Vertically offset configuration)

Model	B1	B2	H1	H2
<b>SVA 900</b>	1410	2240	1020	900



kW/rpm	BHP	(KW)	BHP	(KW)	BHP	(KW)
<b>SVA 900-6</b>	500 rpm		750 rpm		1000 rpm	
6,45	4322	(3225)	6482	(4838)	8643	(6450)
6,15	4121	(3075)	6181	(4612)	8241	(6150)
5,90	3953	(2950)	5930	(4425)	7906	(5900)

Dry weight including all accessories.



H3	H4	H5	L1	L2
570	750	390	-	2066

### WEIGHT

kg (lbs)

### REDUCTION RATIOS

-	-	4,826
-	-	5,091
-	-	5,381

# Continuous Duty

## SVA 950



Product brochure

- Special ratio available on request
- Available as hybrid ready on request
- Available as horizontally offset configuration on request

### Main Dimensions mm (Vertically offset configuration)

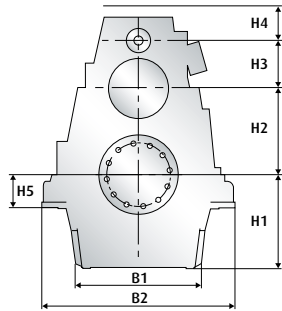
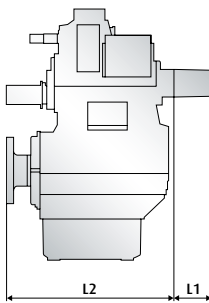
Model	B1	B2	H1	H2
<b>SVA 950</b>	1730	2340	1060	950



kW/rpm	BHP	(KW)	BHP	(KW)	BHP	(KW)
<b>SVA 950</b>	500 rpm		750 rpm		1000 rpm	
22,00	14740	(11000)	22110	(16500)	29480	(22000)
20,50	13735	(10250)	20602	(15375)	27470	(20500)
20,00	13400	(10000)	20100	(15000)	26800	(20000)
18,90	12663	(9450)	18994	(14175)	25326	(18900)
18,40	12328	(9200)	18492	(13800)	24656	(18400)
18,00	12060	(9000)	18090	(13500)	24120	(18000)
16,80	11256	(8400)	16884	(12600)	22512	(16800)
16,40	10988	(8200)	16482	(12300)	21976	(16400)
16,00	10720	(8000)	16080	(12000)	21440	(16000)
13,20	8844	(6600)	13266	(9900)	17688	(13200)
12,30	8241	(6150)	12362	(9225)	16482	(12300)
11,90	7973	(5950)	11960	(8925)	15946	(11900)

Dry weight including all accessories.





H3	H4	H5	L1	L2
570	600	350	-	2250

### WEIGHT

kg (lbs)

### REDUCTION RATIOS

18800	(41360)	2,594
18800	(41360)	2,833
18800	(41360)	2,966
18800	(41360)	3,259
18800	(41360)	3,296
18800	(41360)	3,423
18800	(41360)	3,560
18800	(41360)	3,640
18800	(41360)	3,792
18800	(41360)	3,920
18800	(41360)	4,043
18800	(41360)	4,227

# Continuous Duty

## SVA 950



Product brochure

- Special ratio available on request
- Available as hybrid ready on request
- Available as horizontally offset configuration on request

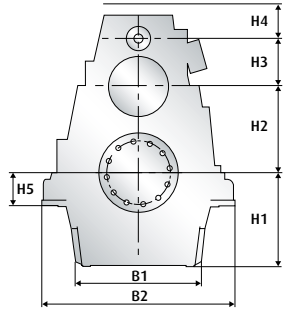
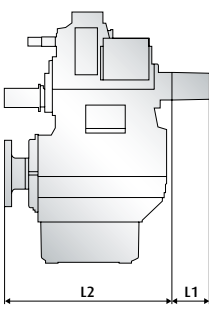
### Main Dimensions mm (Vertically offset configuration)

Model	B1	B2	H1	H2
<b>SVA 950</b>	1730	2340	1060	950



kW/rpm	BHP	(KW)	BHP	(KW)	BHP	(KW)
<b>SVA 950</b>	500 rpm		750 rpm		1000 rpm	
11,60	7772	(5800)	11658	(8700)	15544	(11600)
<b>SVA 950-6</b>	600 rpm		750 rpm		1000 rpm	
8,80	7075	(5280)	8844	(6600)	11792	(8800)
8,40	6754	(5040)	8442	(6300)	11256	(8400)
6,40	5146	(3840)	6432	(4800)	8576	(6400)
6,20	4985	(3720)	6231	(4650)	8308	(6200)
5,90	4744	(3540)	5930	(4425)	7906	(5900)

Dry weight including all accessories.



H3	H4	H5	L1	L2
570	600	350	-	2250

### WEIGHT

kg (lbs)

### REDUCTION RATIOS

18800	(41360)	4,348
-	-	4,591
-	-	4,857
-	-	5,150
-	-	5,455
-	-	5,762

# Continuous Duty

## SVA 1000



Product brochure

- Special ratio available on request
- Available as hybrid ready on request
- Available as horizontally offset configuration on request

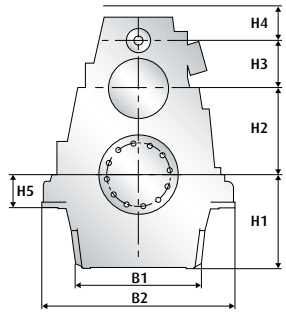
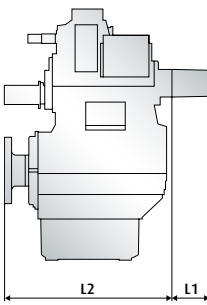
### Main Dimensions mm (Vertically offset configuration)

Model	B1	B2	H1	H2
<b>SVA 1000</b>	1630	2440	1100	1000



kW/rpm	BHP (KW)		BHP (KW)		BHP (KW)	
	500 rpm		750 rpm		1000 rpm	
<b>SVA 1000</b>	500 rpm		750 rpm		1000 rpm	
26,50	17755	(13250)	26632	(19875)	35510	(26500)
23,00	15410	(11500)	23115	(17250)	30820	(23000)
20,20	13534	(10100)	20301	(15150)	27068	(20200)
18,00	12060	(9000)	18090	(13500)	24120	(18000)
16,60	11122	(8300)	16683	(12450)	22244	(16600)
16,10	10787	(8050)	16181	(12075)	21574	(16100)
11,30	7571	(5650)	11357	(8475)	15142	(11300)
10,90	7303	(5450)	10955	(8175)	14606	(10900)

Dry weight including all accessories.



H3	H4	H5	L1	L2
570	650	380	-	2180

### WEIGHT

kg (lbs)

### REDUCTION RATIOS

19500	(42900)	1,972
19500	(42900)	2,484
19500	(42900)	2,963
19500	(42900)	3,458
19500	(42900)	3,864
19500	(42900)	4,042
19500	(42900)	4,500
19500	(42900)	4,750

# Continuous Duty

## SVA 1050



Product brochure

- Special ratio available on request
- Available as hybrid ready on request
- Available as horizontally offset configuration on request

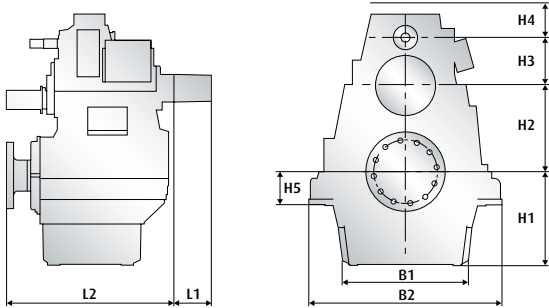
### Main Dimensions mm (Vertically offset configuration)

Model	B1	B2	H1	H2
<b>SVA 1050</b>	1730	2550	1100	1050



kW/rpm	BHP	(KW)	BHP	(KW)	BHP	(KW)
<b>SVA 1050</b>	500 rpm		750 rpm		1000 rpm	
27,50	18425	(13750)	27638	(20625)	36850	(27500)
24,00	16080	(12000)	24120	(18000)	32160	(24000)
21,00	14070	(10500)	21105	(15750)	28140	(21000)
18,80	12596	(9400)	18894	(14100)	25192	(18800)
17,30	11591	(8650)	17386	(12975)	23182	(17300)
16,60	11122	(8300)	16683	(12450)	22244	(16600)
12,50	8375	(6250)	12562	(9375)	16750	(12500)
12,00	8040	(6000)	12060	(9000)	16080	(12000)
11,50	7705	(5750)	11558	(8625)	15410	(11500)

Dry weight including all accessories.



H3	H4	H5	L1	L2
570	650	380	-	2180

### WEIGHT

kg (lbs)

### REDUCTION RATIOS

21000	(46200)	2,054
21000	(46200)	2,531
21000	(46200)	3,036
21000	(46200)	3,520
21000	(46200)	3,913
21000	(46200)	4,136
21000	(46200)	4,381
21000	(46200)	4,565
21000	(46200)	4,773

# Continuous Duty

## SVA 1120



Product brochure

- Special ratio available on request
- Available as hybrid ready on request
- Available as horizontally offset configuration on request

### Main Dimensions mm (Vertically offset configuration)

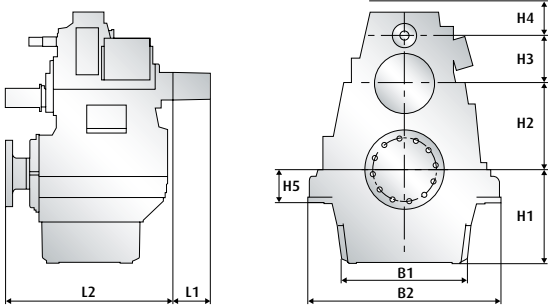
Model	B1	B2	H1	H2
<b>SVA 1120</b>	1730	2560	1150	1120



kW/rpm	BHP	(KW)	BHP	(KW)	BHP	(KW)
<b>SVA 1120</b>	500 rpm		750 rpm		1000 rpm	
38,10	25527	(19050)	38291	(28575)	51054	(38100)
25,50	17085	(12750)	25628	(19125)	34170	(25500)
22,50	15075	(11250)	22612	(16875)	30150	(22500)
20,60	13802	(10300)	20703	(15450)	27604	(20600)
20,30	13601	(10150)	20402	(15225)	27202	(20300)
19,50	13065	(9750)	19598	(14625)	26130	(19500)
18,10	12127	(9050)	18191	(13575)	24254	(18100)
17,30	11591	(8650)	17386	(12975)	23182	(17300)
17,20	11524	(8600)	17286	(12900)	23048	(17200)
16,60	11122	(8300)	16683	(12450)	22244	(16600)
12,30	8241	(6150)	12362	(9225)	16482	(12300)
10,90	7303	(5450)	10955	(8175)	14606	(10900)

Dry weight including all accessories.





H3	H4	H5	L1	L2
650	730	380	-	2300

### WEIGHT

kg (lbs)

### REDUCTION RATIOS

22500	(49500)	2,025
22500	(49500)	2,559
22500	(49500)	3,033
22500	(49500)	3,321
22500	(49500)	3,482
22500	(49500)	3,654
22500	(49500)	4,042
22500	(49500)	4,217
22500	(49500)	4,261
22500	(49500)	4,455
22500	(49500)	4,800
22500	(49500)	5,182

# Continuous Duty

## SVA 1120



Product brochure

- Special ratio available on request
- Available as hybrid ready on request
- Available as horizontally offset configuration on request

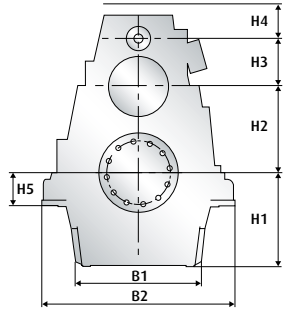
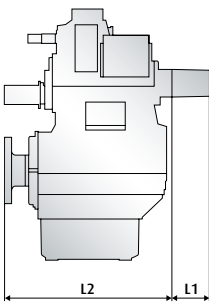
### Main Dimensions mm (Vertically offset configuration)

Model	B1	B2	H1	H2
<b>SVA 1120</b>	1730	2560	1150	1120



kW/rpm	BHP (KW)		BHP (KW)		BHP (KW)	
	500 rpm		750 rpm		1000 rpm	
<b>SVA 1120</b>	10,30	6901 (5150)	10352	(7725)	13802	(10300)
	6,96	4665 (3481)	6997	(5222)	9329	(6962)

Dry weight including all accessories.



H3	H4	H5	L1	L2
650	730	380	-	2300

### WEIGHT

kg (lbs)

### REDUCTION RATIOS

22500	(49500)	5,304
22500	(49500)	3,840

# Continuous Duty

## SVA 1200



Product brochure

- Special ratio available on request
- Available as hybrid ready on request
- Available as horizontally offset configuration on request

### Main Dimensions mm (Vertically offset configuration)

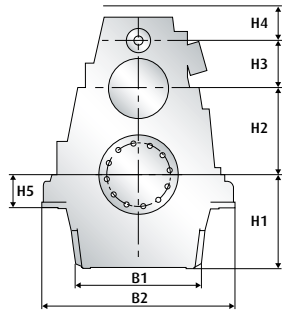
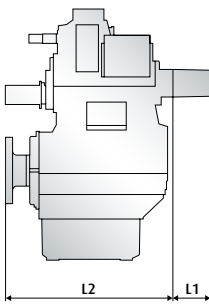
Model	B1	B2	H1	H2
<b>SVA 1200</b>	2112	3100	1245	1200



kW/rpm    BHP    (KW)    BHP    (KW)    BHP    (KW)

<b>SVA 1200</b>	500 rpm		750 rpm		1000 rpm	
44,00	29480	(22000)	44220	(33000)	58960	(44000)
38,00	25460	(19000)	38190	(28500)	50920	(38000)
33,85	22680	(16926)	34020	(25388)	45360	(33851)
29,56	19805	(14780)	29707	(22169)	39609	(29559)
26,20	17553	(13099)	26329	(19648)	35105	(26198)
24,25	16250	(12126)	24374	(18190)	32499	(24253)
24,06	16122	(12032)	24183	(18047)	32244	(24063)
20,68	13854	(10338)	20780	(15508)	27707	(20677)
17,50	11725	(8750)	17588	(13125)	23450	(17500)
16,90	11323	(8450)	16984	(12675)	22646	(16900)

Dry weight including all accessories.



H3	H4	H5	L1	L2
650	750	70	-	2260

### WEIGHT

kg (lbs)

### REDUCTION RATIOS

31000	(68200)	2,023
31000	(68200)	2,514
31000	(68200)	2,939
31000	(68200)	3,483
31000	(68200)	3,962
31000	(68200)	4,417
31000	(68200)	4,375
31000	(68200)	3,296
31000	(68200)	4,864
31000	(68200)	5,083

# Continuous Duty

## SVA 1200 – 1250



Product brochure

- Special ratio available on request
- Available as hybrid ready on request
- Available as horizontally offset configuration on request

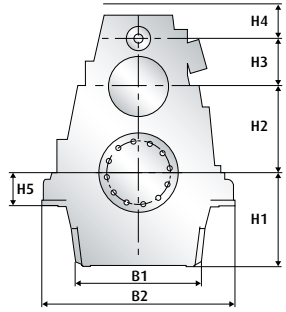
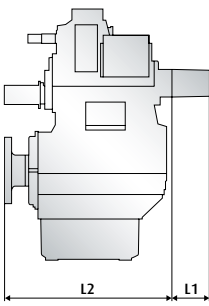
### Main Dimensions mm (Vertically offset configuration)

Model	B1	B2	H1	H2
<b>SVA 1200</b>	2112	3100	1245	1200
<b>SVA 1250</b>	1725	3100	1400	1250

**C**

kW/rpm	BHP	(KW)	BHP	(KW)	BHP	(KW)
<b>SVA 1200-6</b>	500 rpm		750 rpm		1000 rpm	
12,40	8308	(6200)	12462	(9300)	16616	(12400)
11,50	7705	(5750)	11558	(8625)	15410	(11500)
8,80	5896	(4400)	8844	(6600)	11792	(8800)
8,40	5628	(4200)	8442	(6300)	11256	(8400)

Dry weight including all accessories.



H3	H4	H5	L1	L2
650	750	70	-	2260
650	490	80	-	2504

### WEIGHT

kg (lbs)

### REDUCTION RATIOS

-	-	5,348
-	-	5,783
-	-	6,091
-	-	6,429

# Continuous Duty

## SVAL 850



Product brochure

- Special ratio available on request
- Available as hybrid ready on request
- Available as horizontally offset configuration on request
- Available as ZSVAL on request

### Main Dimensions mm (Vertically offset configuration)

Model	B1	B2	H1	H2
<b>SVAL 850-66</b>	-	-	-	850

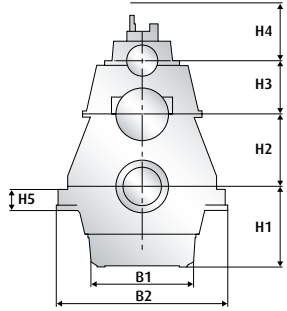
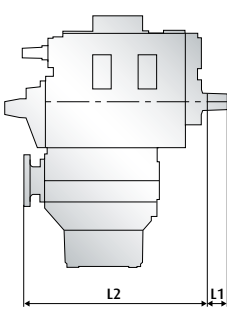


kW/rpm    BHP    (KW)    BHP    (KW)    BHP    (KW)

<b>SVAL 850-66</b>	500 rpm		750 rpm		1000 rpm	
8,40	5628	(4200)	8442	(6300)	11256	(8400)
7,60	5092	(3800)	7638	(5700)	10184	(7600)
<b>SVAL 850-88</b>	500 rpm		750 rpm		1000 rpm	
14,50	9715	(7250)	14572	(10875)	19430	(14500)
13,11	8784	(6555)	13176	(9832)	17567	(13110)
11,96	8015	(5982)	12023	(8972)	16030	(11963)
11,91	7976	(5952)	11965	(8929)	15953	(11905)
10,51	7043	(5256)	10565	(7884)	14086	(10512)
10,28	6889	(5141)	10333	(7712)	13778	(10282)
9,87	6613	(4935)	9919	(7402)	13226	(9870)
8,50	5695	(4250)	8542	(6375)	11390	(8500)

Dry weight including all accessories.





H3	H4	H5	L1	L2
570	-	-	-	-

### WEIGHT

kg (lbs)

### REDUCTION RATIOS

-	-	2,548; 2,909; 2,929; 3,478; 3,583; 3,783; 3,917
-	-	4,364
-	-	1,973
-	-	2,548
-	-	2,909
-	-	2,929
-	-	3,478
-	-	3,583
-	-	3,783
-	-	3,917

# Continuous Duty

## SVAL 950



Product brochure

- Special ratio available on request
- Available as hybrid ready on request
- Available as horizontally offset configuration on request
- Available as ZSVAL on request

### Main Dimensions mm (Vertically offset configuration)

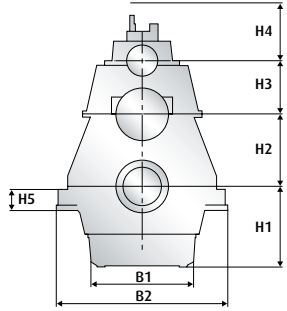
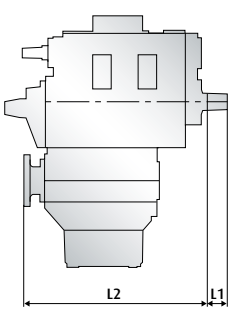
Model	B1	B2	H1	H2
<b>SVAL 950-66</b>	1350	2250	1060	950



kW/rpm    BHP    (KW)    BHP    (KW)    BHP    (KW)

<b>SVAL 950-66</b>	600 rpm		750 rpm		1000 rpm	
8,40	6754	(5040)	8442	(6300)	11256	(8400)
8,29	6666	(4975)	8332	(6218)	11110	(8291)
7,66	6158	(4595)	7697	(5744)	10263	(7659)
7,51	6035	(4504)	7544	(5630)	10058	(7506)
7,34	5902	(4405)	7378	(5506)	9837	(7341)
6,95	5591	(4172)	6989	(5216)	9318	(6954)
6,10	4904	(3660)	6130	(4575)	8174	(6100)
5,80	4663	(3480)	5829	(4350)	7772	(5800)
5,60	4502	(3360)	5628	(4200)	7504	(5600)
5,50	4422	(3300)	5528	(4125)	7370	(5500)

Dry weight including all accessories.



H3	H4	H5	L1	L2
570	800	320	-	2400

### WEIGHT

kg (lbs)

### REDUCTION RATIOS

-	-	3,423; 3,792
-	-	3,920
-	-	4,348
-	-	4,462
-	-	4,591
-	-	4,917
-	-	5,150
-	-	5,455
-	-	5,600
-	-	5,762

# Continuous Duty

## SVAL 1000



Product brochure

- Special ratio available on request
- Available as hybrid ready on request
- Available as horizontally offset configuration on request

### Main Dimensions mm (Vertically offset configuration)

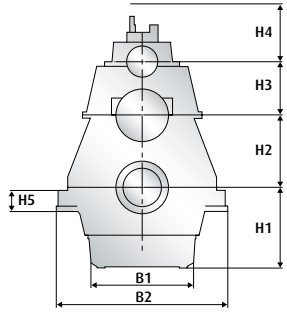
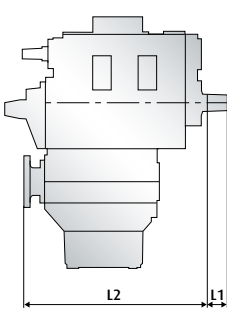
Model	B1	B2	H1	H2
<b>SVAL 1000-88</b>	-	2440	1100	1000



kW/rpm    BHP    (KW)    BHP    (KW)    BHP    (KW)

<b>SVAL 1000-88</b>	500 rpm		750 rpm		1000 rpm	
14,50	9715	(7250)	14572	(10875)	19430	(14500)
14,10	9447	(7050)	14170	(10575)	18894	(14100)
13,98	9364	(6988)	14046	(10482)	18728	(13976)
13,62	9127	(6811)	13690	(10216)	18253	(13622)
11,60	7772	(5800)	11658	(8700)	15544	(11600)
11,10	7437	(5550)	11156	(8325)	14874	(11100)
<b>SVAL 1000-99</b>	500 rpm		750 rpm		1000 rpm	
19,00	12730	(9500)	19095	(14250)	25460	(19000)
18,14	12151	(9068)	18227	(13602)	24302	(18136)
16,50	11055	(8250)	16582	(12375)	22110	(16500)
15,20	10184	(7600)	15276	(11400)	20368	(15200)
15,10	10117	(7550)	15176	(11325)	20234	(15100)

Dry weight including all accessories.



H3	H4	H5	L1	L2
630	-	-	-	-

### WEIGHT

kg (lbs)

### REDUCTION RATIOS

-	-	2,484; 2,690; 2,781; 2,821; 2,963; 3,458
-	-	3,864
-	-	3,909
-	-	4,042
-	-	4,500
-	-	4,750
-	-	2,484; 2,690; 2,781; 2,821; 2,963
-	-	3,458
-	-	3,864
-	-	4,042
-	-	3,909

# Continuous Duty

## SVAL 1060



Product brochure

- Special ratio available on request
- Available as hybrid ready on request
- Available as horizontally offset configuration on request

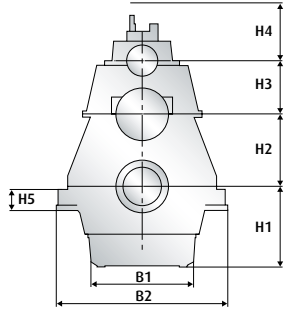
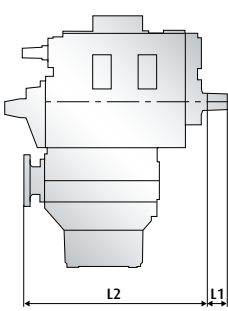
### Main Dimensions mm (Vertically offset configuration)

Model	B1	B2	H1	H2
<b>SVAL 1060-66</b>				



kW/rpm	BHP	(KW)	BHP	(KW)	BHP	(KW)
<b>SVAL 1060-66</b>	600 rpm		750 rpm		1000 rpm	
8,40	6754	(5040)	8442	(6300)	11256	(8400)
8,20	6591	(4919)	8239	(6148)	10985	(8198)
7,87	6329	(4723)	7911	(5904)	10548	(7872)
7,30	5869	(4380)	7336	(5475)	9782	(7300)
7,00	5628	(4200)	7035	(5250)	9380	(7000)
6,40	5146	(3840)	6432	(4800)	8576	(6400)
5,80	4663	(3480)	5829	(4350)	7772	(5800)
5,60	4502	(3360)	5628	(4200)	7504	(5600)
5,40	4342	(3240)	5427	(4050)	7236	(5400)

Dry weight including all accessories.



H3

H4

H5

L1

L2

## WEIGHT

## REDUCTION RATIOS

kg (lbs)

-	-	4,476
-	-	4,708
-	-	4,957
-	-	5,227
-	-	5,391
-	-	5,682
-	-	5,913
-	-	6,227
-	-	6,478

# Continuous Duty

## SVAL 1120 – 1200



Product brochure

- Special ratio available on request
- Available as hybrid ready on request
- Available as horizontally offset configuration on request

### Main Dimensions mm (Vertically offset configuration)

Model	B1	B2	H1	H2
<b>SVAL 1120-99</b>	1720	2550	1300	1120

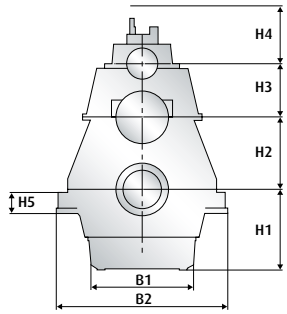
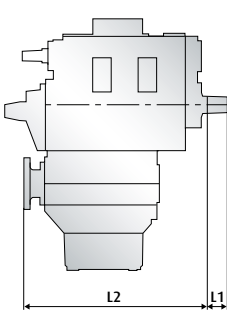


kW/rpm    BHP    (KW)    BHP    (KW)    BHP    (KW)

<b>SVAL 1120-88</b>	500 rpm		750 rpm		1000 rpm	
14,50	9715	(7250)	14572	(10875)	19430	(14500)
14,00	9380	(7000)	14070	(10500)	18760	(14000)
12,30	8241	(6150)	12362	(9225)	16482	(12300)
10,60	7102	(5300)	10653	(7950)	14204	(10600)
<b>SVAL 1120-99</b>	500 rpm		750 rpm		1000 rpm	
19,00	12730	(9500)	19095	(14250)	25460	(19000)
16,40	10988	(8200)	16482	(12300)	21976	(16400)
15,70	10519	(7850)	15778	(11775)	21038	(15700)
<b>SVAL 1200-66</b>	600 rpm		750 rpm		1000 rpm	
8,40	6754	(5040)	8442	(6300)	11256	(8400)
8,00	6432	(4800)	8040	(6000)	10720	(8000)
7,80	6271	(4680)	7839	(5850)	10452	(7800)

Dry weight including all accessories.





H3	H4	H5	L1	L2
690	850	280	-	3050

### WEIGHT

kg (lbs)

### REDUCTION RATIOS

-	-	3,033; 3,482; 3,654; 4,042; 4,217
-	-	4,455
-	-	4,800
-	-	5,304
-	-	3,033; 3,482; 3,654; 4,042
-	-	4,217
-	-	4,455
-	-	5,083; 5,348; 5,636
-	-	6,261
-	-	6,429

# Continuous Duty

## SVAL 1250



Product brochure

- Special ratio available on request
- Available as hybrid ready on request
- Available as horizontally offset configuration on request

### Main Dimensions mm (Vertically offset configuration)

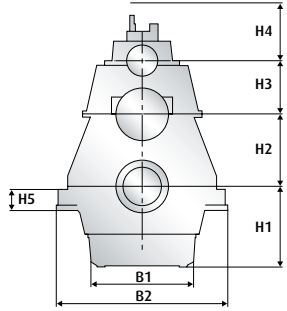
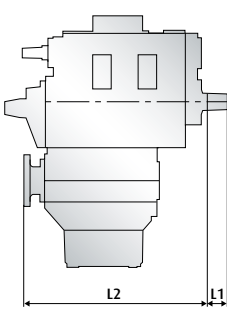
Model	B1	B2	H1	H2
<b>SVAL 1250-110</b>	1900	3000	1200	1250



kW/rpm    BHP    (KW)    BHP    (KW)    BHP    (KW)

<b>SVAL 1250-11</b>	500 rpm		750 rpm		900 rpm	
26,00	17420	(13000)	26130	(19500)	31356	(23400)
25,70	17219	(12850)	25828	(19275)	30994	(23130)
24,40	16348	(12200)	24522	(18300)	29426	(21960)
23,40	15678	(11700)	23517	(17550)	28220	(21060)

Dry weight including all accessories.



H3	H4	H5	L1	L2
750	850	80	-	3325

### WEIGHT

kg (lbs)

### REDUCTION RATIOS

-	-	1,973; 2,548; 2,929; 3,583
-	-	3,783
-	-	4,042
-	-	4,238

# Continuous Duty

## DLG 1113 – 3331



Product brochure

- Special ratio available on request
- Available as hybrid ready on request
- Smaller DLG sizes available on request

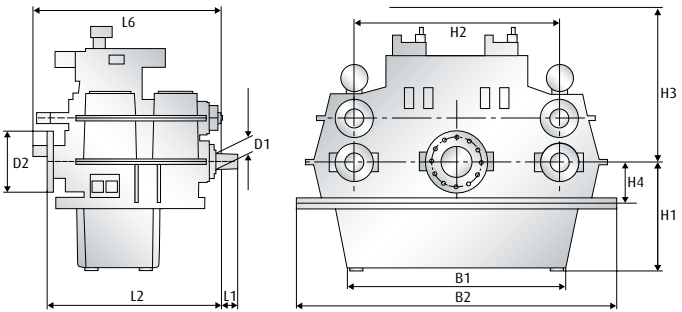
### Main Dimensions mm (Horizontally offset configuration)

Model	B1	B2	D1	D2	H1	H2
<b>DLG 1113</b>	2040	3050	107	620	1000	2000
<b>DLG 1116</b>	1900	3000	107	560	1000	2000
<b>DLG 1120</b>	1400	2400	107	650	815	1600
<b>DLG 1513</b>	2040	3050	117	510	1000	2000
<b>DLG 1516</b>	2400	3330	117	600	750	2250
<b>DLG 1525</b>	2400	3330	117	600	750	2250
<b>DLG 1913</b>	2100	2780	127	550	1000	2000
<b>DLG 1916</b>	2880	3400	127	600	1150	2500
<b>DLG 1925</b>	2700	3500	127	670	1310	2500
<b>DLG 1931</b>	2700	3900	127	710	1210	2300
<b>DLG 2316</b>	2000	2800	162	600	1030	2300
<b>DLG 3325</b>	2250	3060	167	770	1250	2500
<b>DLG 3331</b>	2080	3060	167	915	1250	2500

<b>DLG</b>	<b>1113</b>	<b>1116</b>	<b>1120</b>	<b>1513</b>	<b>1516</b>	<b>1525</b>
<b>kW/rpm</b>	3,26	3,26	3,26	4,08	4,08	4,08

Quoted power ranges for size orientation. Calculation on request.

Dry weight including all accessories.



H3	H4	L1	L2	L6	Weight (kg)
1255	350	142	1240	1430	95000
1350	350	142	1450	1640	12000
1200	380	142	1235	1450	8400
1250	350	154	1510	1730	9500
1800	400	154	1398	1650	13500
1800	400	154	1398	1650	13500
1650	400	162	1440	1750	10500
1800	360	162	1450	1750	15000
1800	460	162	1440	1750	16000
1640	540	162	1735	2000	22500
1580	390	198	1620	2000	19000
1500	440	198	1715	1920	19000
1500	440	198	1765	1900	20000

<b>1913</b>	<b>1916</b>	<b>1925</b>	<b>1931</b>	<b>2316</b>	<b>3325</b>	<b>3331</b>
4,40	4,40	4,40	4,40	4,90	6,50	6,50

# Continuous Duty

## DLG 4431 – 110131



Product brochure

- Special ratio available on request
- Available as hybrid ready on request

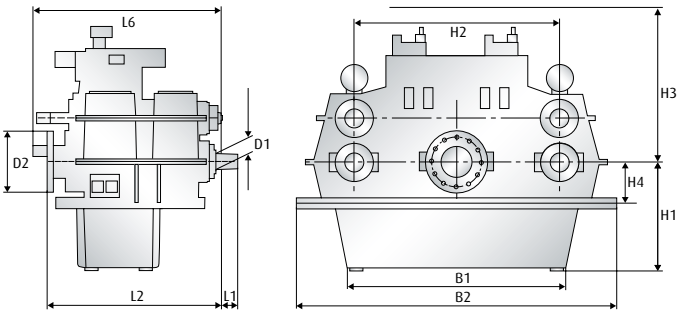
### Main Dimensions mm (Horizontally offset configuration)

Model	B1	B2	D1	D2	H1	H2
<b>DLG 4431</b>	2700	3200	187	710	1260	2500
<b>DLG 4447</b>	2800	3900	187	820	1300	2500
<b>DLG 5520</b>	2800	3580	197	650	1250	2500
<b>DLG 5539</b>	2100	3460	197	705	1315	2800
<b>DLG 5547</b>	2800	3580	197	800	1250	2500
<b>DLG 5573</b>	3300	4180	197	860	1410	2800
<b>DLG 6673</b>	2900	4250	217	860	1400	2800
<b>DLG 7747</b>	3300	4300	217	737	1250	2800
<b>DLG 7773</b>	3200	4300	217	750	1250	2800
<b>DLG 8890</b>	3250	4100	247	900	1425	2800
<b>DLG 9990</b>	3000	5220	247	900	1550	3400
<b>DLG 99131</b>	5450	2910	237	1040	1760	3700
<b>DLG 110131</b>	3000	5450	315	950	1550	3400

<b>DLG</b>	<b>4431</b>	<b>4447</b>	<b>5520</b>	<b>5539</b>	<b>5547</b>	<b>5573</b>
<b>kW/rpm</b>	7,60	7,60	10,00	10,00	10,00	10,00

Quoted power ranges for size orientation. Calculation on request.

Dry weight including all accessories.



H3	H4	L1	L2	L6	Weight (kg)
1750	450	237	1920	2210	24000
1730	500	237	2090	2300	26000
1800	500	251	1870	2115	28000
1700	640	251	1995	2115	31000
1800	640	251	2030	2400	28000
2050	800	251	2300	2400	32000
1850	675	263	2540	2350	37000
1770	550	306	2255	2560	31000
1800	550	306	2255	2560	31500
1750	500	321	2370	2700	42000
2050	750	321	2800	3000	51000
2200	750	312	2400	3210	60000
2050	750	405	2435	3600	61000

<b>6673</b>	<b>7747</b>	<b>7773</b>	<b>8890</b>	<b>9990</b>	<b>110131</b>
12,00	15,74	15,74	20,00	27,00	44,00

# Continuous Duty

## VLJ 4431 – 6841



Product brochure

- Special ratio available on request
- Reduction gearbox with hydraulically operated clutch for waterjet application
- Available as horizontally offset configuration on request. Further sizes on request

### Main Dimensions mm (Vertically offset configuration)

Model	B1	B2	B3	D1	D2
<b>VLJ 4431</b>	1050	1750	660	187	550
<b>VLJ 6831</b>	1170	1690	600	187	600
<b>VLJ 6841</b>	1005	1945	735	187	650

**C**

kW/rpm    BHP    (KW)    BHP    (KW)    BHP    (KW)

#### VLJ 4431

1000 rpm

1200 rpm

6,20	8308	(6200)	9970	(7440)	-	-
5,80	7772	(5800)	9326	(6960)	-	-
5,20	6968	(5200)	8362	(6240)	-	-
4,95	6633	(4950)	7960	(5940)	-	-
4,85	6499	(4850)	7799	(5820)	-	-

#### VLJ 6831

1000 rpm

1200 rpm

7,20	9648	(7200)	11578	(8640)	-	-
------	------	--------	-------	--------	---	---

#### VLJ 6841

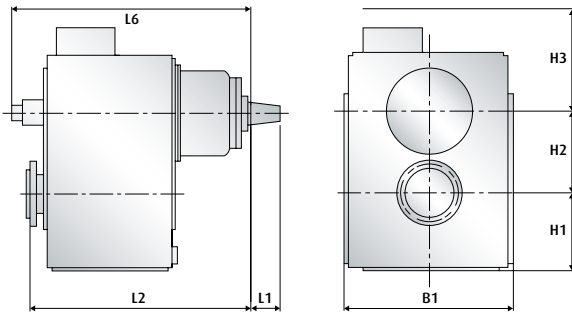
1000 rpm

1200 rpm

7,20	9648	(7200)	11578	(8640)	-	-
7,00	9380	(7000)	11256	(8400)	-	-

Dry weight including all accessories.





H1	H2	H3	H4	L1	L2
550	560	800	180	237	1600
565	600	900	180	237	1500
640	650	1000	55	237	1635

### WEIGHT

kg (lbs)

### REDUCTION RATIOS

3600	(7920)	1,552
3600	(7920)	1,771#
3600	(7920)	2,161
3600	(7920)	2,423#
3600	(7920)	2,600
3900	(8580)	1,405; 1,697; 1,824
4900	(10780)	2,097; 2,556
4900	(10780)	2,840

# Continuous Duty

## VLJ 7531 – 7541



Product brochure

- Special ratio available on request
- Reduction gearbox with hydraulically operated clutch for waterjet application
- Available as horizontally offset configuration on request. Further sizes on request

### Main Dimensions mm (Vertically offset configuration)

Model	B1	B2	B3	D1	D2
<b>VLJ 7531</b>	1310	1850	680	197	650
<b>VLJ 7541</b>	1320	1975	745	197	650

**C**

kW/rpm    BHP    (KW)    BHP    (KW)    BHP    (KW)

**VLJ 7531**                      1000 rpm                      1200 rpm

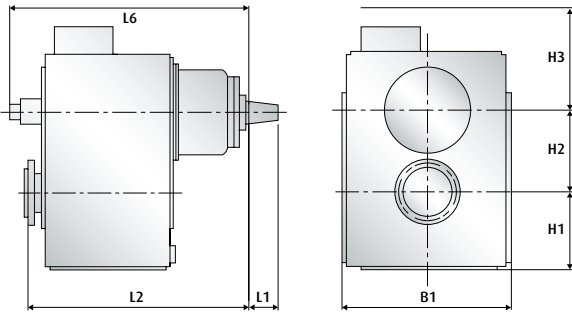
8,20    10988    (8200)    13186    (9840)    -    -

8,00    10720    (8000)    12864    (9600)    -    -

**VLJ 7541**                      1000 rpm                      1200 rpm

9,20    12328    (9200)    14794    (11040)    -    -

Dry weight including all accessories.



H1	H2	H3	H4	L1	L2
600	630	990	180	251	1700
640	665	1000	60	251	1700

### WEIGHT

kg (lbs)

### REDUCTION RATIOS

4300	(9460)	1,541#; 1,765#; 1,971
4300	(9460)	2,133#
4850	(10670)	1,486#; 1,758; 2,067#

# Continuous Duty

## RDG/RDGL for dredging pump



Product brochure

- Special ratio available on request
- Further sizes on request

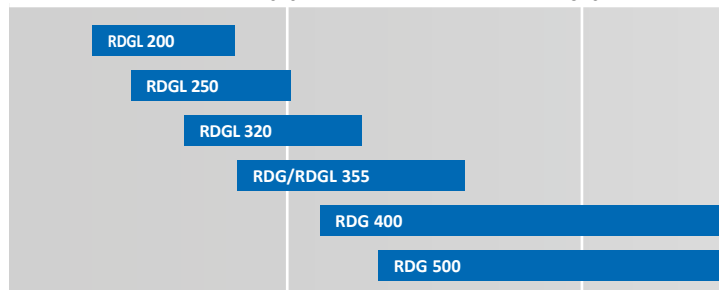
### Main Dimensions mm (Vertically offset configuration)

Model	B1	B2	H1	H2	H3
<b>RDG 355</b>	700	1060	410	355	600
<b>RDG 400</b>	900	1300	460	400	600
<b>RDG 500 A</b>	1000	1500	510	500	600
<b>RDG 500 B</b>	1000	1500	510	500	600

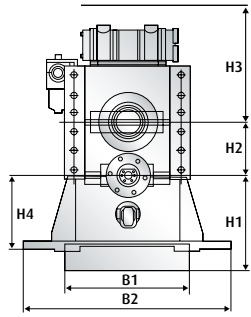
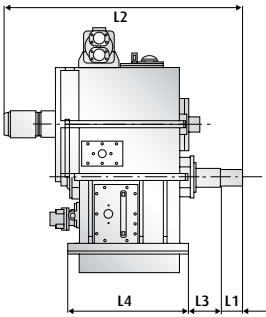
### Main Dimensions mm (Vertically offset configuration)

Model	B1	B2	H1	H2	H3
<b>RDGL 200</b>	400	720	360	200	440
<b>RDGL 250</b>	600	1000	460	250	550
<b>RDGL 320</b>	800	1150	560	320	830
<b>RDGL 355 A</b>	700	1060	410	355	650
<b>RDGL 355 B</b>	900	1250	610	355	900

kW	500	1000
BHP	670	1340



Dry weight including all accessories.



H4	L1	L2	L3	L4	Weight (kg)
150	135	975	7	450	1300
150	107	1022	-11	570	2000
160	107	1062	-51	680	2450
160	172	1202	-16	680	2700

H4	L1	L2	L3	L4	Weight (kg)
230	90	970	168	480	550
350	105	1177	160	600	1000
350	125	1435	173	720	1650
150	135	1335	347	450	1800
350	150	1821	38	960	2700

1500  
2010

2000  
2680

# Medium Duty

## WAF/LAF 164 – 264



Product brochure

- Special ratio available on request
- Available as hybrid ready on request
- Reduction gearbox type AF without clutch available on request

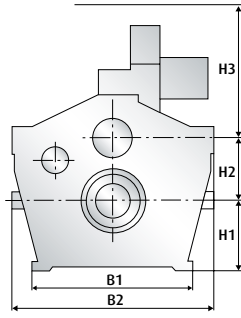
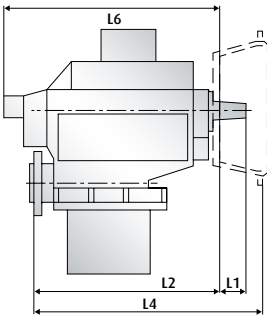
### Main Dimensions mm (Vertically offset configuration)

Model	B1	B2	H1	H2	H3
<b>WAF 164</b>	505	660	315	290	370
<b>WAF 244</b>	530	640	240	215	355
<b>WAF 264</b>	540	670	345	315	365

## M

kW/rpm	BHP	(KW)	BHP	(KW)	BHP	(KW)
<b>WAF 164</b>	1600 rpm		1800 rpm		2100 rpm	
0,23	493	(368)	555	(414)	647	(483)
0,21	450	(336)	507	(378)	591	(441)
<b>WAF 244</b>	1600 rpm		1800 rpm		2100 rpm	
0,29	622	(464)	699	(522)	816	(609)
0,27	579	(432)	651	(486)	760	(567)
0,25	536	(400)	603	(450)	704	(525)
0,23	493	(368)	555	(414)	647	(483)
<b>WAF 264</b>	1600 rpm		1800 rpm		2100 rpm	
0,29	622	(464)	699	(522)	816	(609)
0,27	579	(432)	651	(486)	760	(567)
0,24	515	(384)	579	(432)	675	(504)

Dry weight including all accessories.



L1	L2	L4 SAE 1	L4 SAE 0	L4 SAE 00	L6
70	595	-	655	-	685
70	560	-	625	-	685
70	595	-	660	-	685

**WEIGHT**
**REDUCTION RATIOS**

kg (lbs)

525	(1155)	4,560; 5,044
525	(1155)	5,950
455	(1001)	1,343
455	(1001)	2,957
455	(1001)	3,522
455	(1001)	3,952
700	(1540)	4,083; 4,500
700	(1540)	5,050
700	(1540)	5,800

# Medium Duty

## WAF/LAF 274 – 364



Product brochure

- Special ratio available on request
- Available as hybrid ready on request
- Reduction gearbox type AF without clutch available on request

### Main Dimensions mm (Vertically offset configuration)

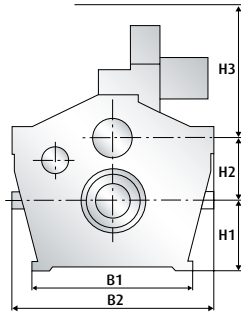
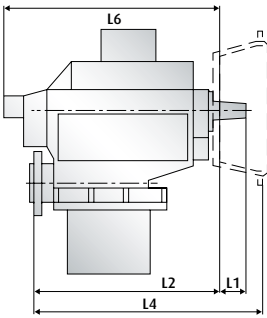
Model	B1	B2	H1	H2	H3
<b>WAF 274</b>	700	830	420	380	365
<b>WAF 344</b>	570	720	265	250	395
<b>WAF 364</b>	580	750	380	345	415

## M

kW/rpm	BHP	(KW)	BHP	(KW)	BHP	(KW)
<b>WAF 274</b>	1600 rpm		1800 rpm		2100 rpm	
0,29	622	(464)	699	(522)	816	(609)
0,27	579	(432)	651	(486)	760	(567)
0,25	536	(400)	603	(450)	704	(525)
<b>WAF 344</b>	1600 rpm		1800 rpm		2100 rpm	
0,36	772	(576)	868	(648)	1013	(756)
0,33	708	(528)	796	(594)	929	(693)
0,31	665	(496)	748	(558)	872	(651)
<b>WAF 364</b>	1600 rpm		1800 rpm		2100 rpm	
0,36	772	(576)	868	(648)	1013	(756)
0,35	750	(560)	844	(630)	985	(735)

Dry weight including all accessories.





L1	L2	L4 SAE 1	L4 SAE 0	L4 SAE 00	L6
70	600	-	665	-	690
80	645	-	750	-	740
80	665	-	775	-	755

**WEIGHT**
**REDUCTION RATIOS**

kg (lbs)

725	(1595)	6,115
725	(1595)	7,044
725	(1595)	7,409
730	(1606)	1,972; 2,452; 2,963
730	(1606)	3,571
730	(1606)	4,053
810	(1782)	3,933; 4,482; 4,920; 5,435
810	(1782)	6,048

# Medium Duty

## WAF/LAF 444 – 474



Product brochure

- Special ratio available on request
- Available as hybrid ready on request
- Reduction gearbox type AF without clutch available on request

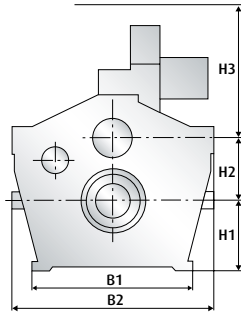
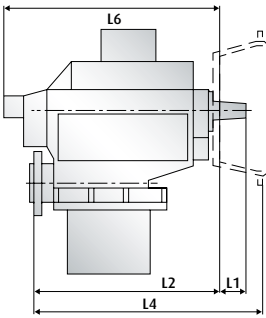
### Main Dimensions mm (Vertically offset configuration)

Model	B1	B2	H1	H2	H3
<b>WAF 374</b>	800	930	460	410	430
<b>WAF 444</b>	495	740	285	270	505
<b>WAF 464</b>	575	800	400	375	510
<b>WAF 474</b>	760	1310	510	460	330

## M

kW/rpm	BHP	(KW)	BHP	(KW)	BHP	(KW)
<b>WAF 374</b>	1600 rpm		1800 rpm		2100 rpm	
0,36	772	(576)	868	(648)	1013	(756)
0,33	708	(528)	796	(594)	929	(693)
<b>WAF 444</b>	1600 rpm		1800 rpm		2100 rpm	
0,46	986	(736)	1110	(828)	1294	(966)
0,42	900	(672)	1013	(756)	1182	(882)
0,40	858	(640)	965	(720)	1126	(840)
<b>WAF 464</b>	1600 rpm		1800 rpm		2100 rpm	
0,46	986	(736)	1110	(828)	1294	(966)
0,45	965	(720)	1085	(810)	1266	(945)
<b>WAF 474</b>	1600 rpm		1800 rpm		2100 rpm	
0,46	986	(736)	1110	(828)	1294	(966)
0,45	965	(720)	1085	(810)	1266	(945)

Dry weight including all accessories.



L1	L2	L4 SAE 1	L4 SAE 0	L4 SAE 00	L6
80	670	-	775	-	860
95	720	-	820	-	810
95	725	-	825	-	810
95	745	845	845	-	810

**WEIGHT**
**REDUCTION RATIOS**

kg (lbs)

1200	(2640)	6,120; 6,417; 7,091
1200	(2640)	7,476
760	(1672)	1,698; 1,974; 2,962
760	(1672)	3,522
760	(1672)	3,952
940	(2068)	4,577; 5,042; 5,591
940	(2068)	5,905
1830	(4026)	6,417; 7,091
1830	(4026)	7,476

# Medium Duty

## WAF/LAF 542 – 572



Product brochure

- Special ratio available on request
- Available as hybrid ready on request
- Reduction gearbox type AF without clutch available on request

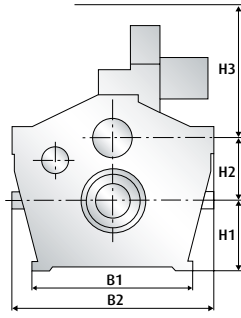
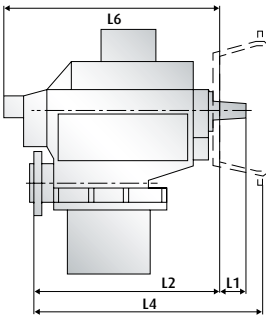
### Main Dimensions mm (Vertically offset configuration)

Model	B1	B2	H1	H2	H3
<b>WAF 542</b>	530	840	380	310	540
<b>WAF 563</b>	570	920	475	410	550
<b>WAF 572</b>	690	1360	575	505	500

## M

kW/rpm	BHP	(KW)	BHP	(KW)	BHP	(KW)
<b>WAF 542</b>	1600 rpm		1800 rpm		2100 rpm	
0,57	1222	(912)	1375	(1026)	1604	(1197)
0,55	1179	(880)	1327	(990)	1548	(1155)
<b>WAF 563</b>	1600 rpm		1800 rpm		2100 rpm	
0,59	1265	(944)	1423	(1062)	1660	(1239)
0,55	1179	(880)	1327	(990)	1548	(1155)
<b>WAF 572</b>	1600 rpm		1800 rpm		2100 rpm	
0,57	1222	(912)	1375	(1026)	1604	(1197)
0,54	1158	(864)	1302	(972)	1520	(1134)

Dry weight including all accessories.



L1	L2	L4 SAE 1	L4 SAE 0	L4 SAE 00	L6
95	775	-	895	910	935
95	820	-	940	960	1060
95	835	-	955	970	980

**WEIGHT**
**REDUCTION RATIOS**

kg (lbs)

1035	(2277)	2,542; 2,960; 3,542
1035	(2277)	3,955; 4,450
1445	(3179)	5,050; 5,421
1445	(3179)	5,947
2360	(5192)	6,417; 7,091
2360	(5192)	7,474

# Medium Duty

## WVS/WLS 234/1 – 430/1



Product brochure

- Special ratio available on request
- Available as hybrid ready on request
- Light weight gearbox
- Input and output on opposite sides

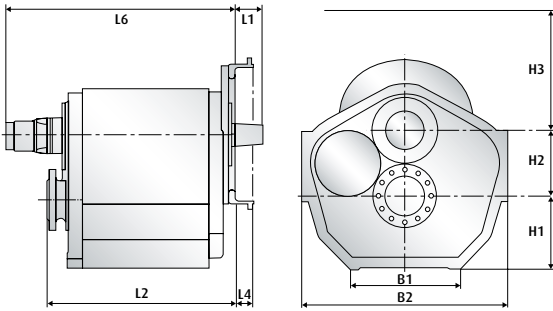
### Main Dimensions mm (Vertically offset configuration)

Model	B1	B2	H1	H2	H3
<b>WVS 234/1</b>	475	640	200	200	420
<b>WVS 334</b>	530	720	240	215	420
<b>WVS 430/1</b>	400	730	260	235	390

### M

kW/rpm	BHP	(KW)	BHP	(KW)	BHP	(KW)
<b>WVS 234/1</b>	1800 rpm		2100 rpm		2600 rpm	
0,23	555	(414)	647	(483)	801	(598)
0,21	507	(378)	591	(441)	732	(546)
<b>WVS 334</b>	1800 rpm		2100 rpm		2600 rpm	
0,31	736	(549)	858	(640)	1063	(793)
0,28	663	(495)	774	(578)	958	(715)
0,25	603	(450)	704	(525)	871	(650)
0,21	507	(378)	591	(441)	732	(546)
0,21	494	(369)	577	(430)	714	(533)
<b>WVS 430/1</b>	1800 rpm		2100 rpm		2600 rpm	
0,52	1254	(936)	1463	(1092)	1812	(1352)
0,40	965	(720)	1126	(840)	1394	(1040)
0,35	844	(630)	985	(735)	1219	(910)

Dry weight including all accessories.



L1	L2	L4 SAE 1	L4 SAE 0	L4 SAE 00	L6
69	483	64	-	-	680
100	564	109	-	-	700
-	675	60	-	-	840

### WEIGHT

kg (lbs)

indicated max. rpm on request

295	(649)	1,179; 1,500#; 2,036; 2,542#
295	(649)	2,864

indicated max. rpm on request

340	(748)	1,122; 1,485
340	(748)	2,037
340	(748)	2,407#; 2,538
340	(748)	2,956#
340	(748)	3,522

indicated max. rpm on request

490	(1078)	1,184; 1,485; 1,767; 2,037; 2,458
490	(1078)	2,905
490	(1078)	3,550

### REDUCTION RATIOS

# Medium Duty

## WVS/WLS 730/1L – 1130L



Product brochure

- Special ratio available on request
- Available as hybrid ready on request
- Light weight gearbox
- Input and output on opposite sides

### Main Dimensions mm (Vertically offset configuration)

Model	B1	B2	H1	H2	H3
<b>WVS 730/1L</b>	650	1036	323	310	540
<b>WVS 930/1L</b>	750	1166	348	340	560
<b>WVS 1130L</b>	700	1350	435	425	650

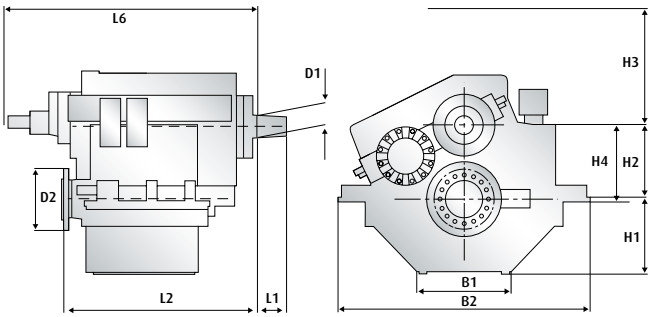
### M

kW/rpm    BHP    (KW)    BHP    (KW)    BHP    (KW)

WVS 730/1L	1800 rpm		2100 rpm		2500 rpm	
0,70	1688	(1260)	1970	(1470)	2345	(1750)
0,60	1447	(1080)	1688	(1260)	2010	(1500)
0,55	1327	(990)	1548	(1155)	1843	(1375)
WVS 930/1L	1800 rpm		2100 rpm		2500 rpm	
1,00	2412	(1800)	2814	(2100)	3350	(2500)
0,98	2364	(1764)	2758	(2058)	3283	(2450)
0,87	2098	(1566)	2448	(1827)	2914	(2175)
0,75	1809	(1350)	2110	(1575)	2512	(1875)
WVS 1130L	1600 rpm		1800 rpm		2300 rpm	
1,60	3430	(2560)	3859	(2880)	4931	(3680)
1,45	3109	(2320)	3497	(2610)	4469	(3335)
1,25	2680	(2000)	3015	(2250)	3853	(2875)

Dry weight including all accessories.





H4	L1	L2	L4 SAE 1	L4 SAE 0	L4 SAE 00	L6
340	110	795	-	-	-	965
385	120	845	-	-	-	1024
440	157	1085	-	-	-	1255

**WEIGHT**
**REDUCTION RATIOS**

kg (lbs)

indicated max. rpm on request

720 (1584) 1,538; 2,036; 2,542; 3,048

720 (1584) 3,542#

720 (1584) 3,954#

indicated max. rpm on request

925 (2035) 1,381#; 2,032; 2,482

925 (2035) 3,044

925 (2035) 3,542#

925 (2035) 3,954#

indicated max. rpm on request

1550 (3410) 1,512; 2,029; 2,433; 2,962

1550 (3410) 3,478#

1550 (3410) 3,905#

# Medium Duty

## WVS/WLS 730/1 – 1130



Product brochure

- Special ratio available on request
- Available as hybrid ready on request
- Light weight gearbox
- Input and output on opposite sides

### Main Dimensions mm (Vertically offset configuration)

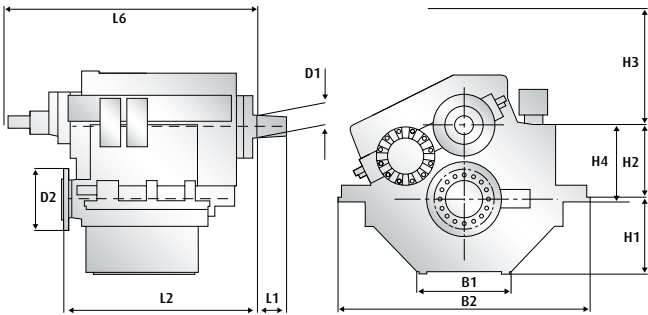
Model	B1	B2	H1	H2	H3
<b>WVS 730/1</b>	650	1036	323	310	540
<b>WVS 930/1</b>	750	1166	348	340	560
<b>WVS 1130</b>	700	1350	435	425	650

### M

kW/rpm    BHP    (KW)    BHP    (KW)    BHP    (KW)

WVS 730/1	1800 rpm		2100 rpm		2500 rpm	
0,85	2050	(1530)	2392	(1785)	2848	(2125)
0,80	1930	(1440)	2251	(1680)	2680	(2000)
0,60	1447	(1080)	1688	(1260)	2010	(1500)
WVS 930/1	1800 rpm		2100 rpm		2500 rpm	
1,20	2894	(2160)	3377	(2520)	4020	(3000)
1,10	2653	(1980)	3095	(2310)	3685	(2750)
0,80	1930	(1440)	2251	(1680)	2680	(2000)
WVS 1130	1600 rpm		1800 rpm		2300 rpm	
1,70	3645	(2720)	4100	(3060)	5239	(3910)
1,62	3473	(2592)	3907	(2916)	4993	(3726)
1,38	2959	(2208)	3329	(2484)	4253	(3174)

Dry weight including all accessories.



H4	L1	L2	L4 SAE 1	L4 SAE 0	L4 SAE 00	L6
340	110	795	-	-	-	965
385	120	845	-	-	-	1024
440	157	1085	-	-	-	1255

### WEIGHT

kg (lbs)

indicated max. rpm on request

725 (1595) 1,538; 2,036; 2,542

725 (1595) 3,048

725 (1595) 3,954

indicated max. rpm on request

950 (2090) 1,525; 2,032; 2,482

950 (2090) 3,044

950 (2090) 3,954

indicated max. rpm on request

1600 (3520) 1,512#; 2,029#; 2,433; 2,962#

1600 (3520) 3,478

1600 (3520) 3,905#

### REDUCTION RATIOS

# Medium Duty

## WVS/WLS 1540 – 2230



Product brochure

- Special ratio available on request
- Available as hybrid ready on request
- Light weight gearbox.
- Input and output on opposite sides

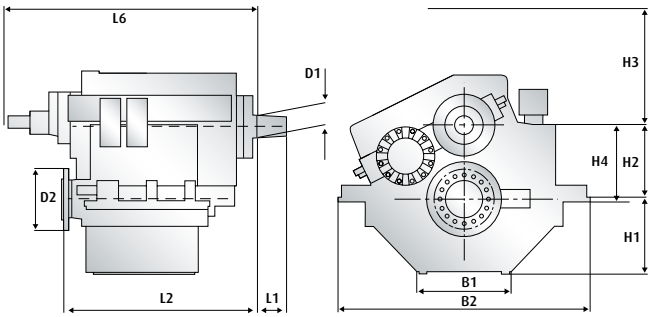
### Main Dimensions mm (Vertically offset configuration)

Model	B1	B2	H1	H2	H3
<b>WVS 1540</b>	650	1300	390	390	700
<b>WVS 1930</b>	500	1340	400	390	650
<b>WVS 2230</b>	700	1500	500	460	550

## M

kW/rpm	BHP	(KW)	BHP	(KW)	BHP	(KW)
<b>WVS 1540</b>	1600 rpm		1800 rpm		2300 rpm	
1,50	3216	(2400)	3618	(2700)	4623	(3450)
1,45	3113	(2323)	3502	(2614)	4475	(3340)
1,36	2909	(2171)	3273	(2443)	4182	(3121)
1,29	2755	(2056)	3099	(2313)	3960	(2956)
<b>WVS 1930</b>	1600 rpm		1800 rpm		2300 rpm	
1,85	3966	(2960)	4462	(3330)	5702	(4255)
1,70	3645	(2720)	4100	(3060)	5239	(3910)
1,48	3182	(2374)	3579	(2671)	4574	(3413)
<b>WVS 2230</b>	1600 rpm		1800 rpm		2100 rpm	
2,25	4824	(3600)	5427	(4050)	6332	(4725)

Dry weight including all accessories.



H4	L1	L2	L4 SAE 1	L4 SAE 0	L4 SAE 00	L6
405	142	952	-	-	-	1375
405	154	1032	-	-	-	1300
475	162	1180	-	-	-	1480

### WEIGHT

kg (lbs)

indicated max. rpm on request

1450 (3190) 2,952; 3,368

1450 (3190) 3,947

1450 (3190) 4,350

1450 (3190) 4,632#

indicated max. rpm on request

1550 (3410) 1,410#; 2,032#; 2,458#; 2,952

1550 (3410) 3,368#

1550 (3410) 3,864#

indicated max. rpm on request

2150 (4730) 1,513#; 2,025; 2,414#; 2,630; 2,920#

### REDUCTION RATIOS

# Medium Duty

## WVS/WLS 2240



Product brochure

- Special ratio available on request
- Available as hybrid ready on request
- Light weight gearbox
- Input and output on opposite sides

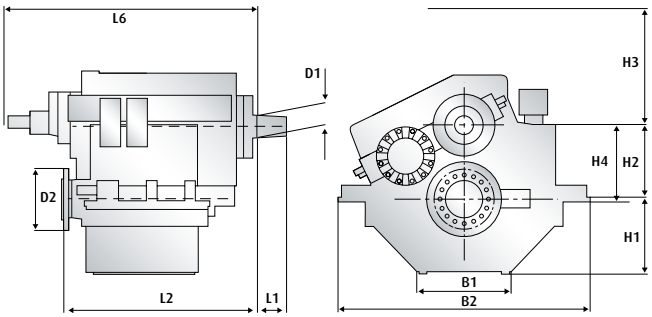
### Main Dimensions mm (Vertically offset configuration)

Model	B1	B2	H1	H2	H3
<b>WVS 2240</b>	700	1500	500	460	550



kW/rpm	BHP	(KW)	BHP	(KW)	BHP	(KW)
<b>WVS 2240</b>	1600 rpm		1800 rpm		2100 rpm	
2,25	4824	(3600)	5427	(4050)	6332	(4725)
2,00	4288	(3200)	4824	(3600)	5628	(4200)

Dry weight including all accessories.



H4	L1	L2	L4 SAE 1	L4 SAE 0	L4 SAE 00	L6
475	162	1180	-	-	-	1480

**WEIGHT**

kg (lbs)

**REDUCTION RATIOS**

indicated max. rpm on request

2185 (4807)	3,039#; 3,375#; 3,565#; 3,818
2185 (4807)	4,130#

# Medium Duty

## WVSA 740 – 1540



Product brochure

- Special ratio available on request
- Available as hybrid ready on request
- Reverse-reduction gearbox with hydraulically operated clutches. Vertically offset
- Input and output shaft on opposite sides
- Further sizes on request

### Main Dimensions mm (Vertically offset configuration)

Model	B1	B2	D1	D2	H1	H2
<b>WVSA 740</b>	560	1180	92	345	342	412
<b>WVSA 940</b>	640	1300	107	390	386	457
<b>WVSA 1540</b>	760	1530	117	420	415	509

### M

#### 1800 rpm

#### 2100 rpm

#### 2450 rpm

kW/rpm

BHP

(KW)

BHP

(KW)

BHP

(KW)

#### WVSA 740

1,10 2653 (1980) 3095 (2310) 3611 (2695)

0,90 2171 (1620) 2533 (1890) 2955 (2205)

0,70 1688 (1260) 1970 (1470) 2298 (1715)

#### WVSA 940

1,50 3618 (2700) 4221 (3150) 4924 (3675)

1,40 3377 (2520) 3940 (2940) 4596 (3430)

1,30 3136 (2340) 3658 (2730) 4268 (3185)

1,10 2653 (1980) 3095 (2310) 3611 (2695)

#### WVSA 1540

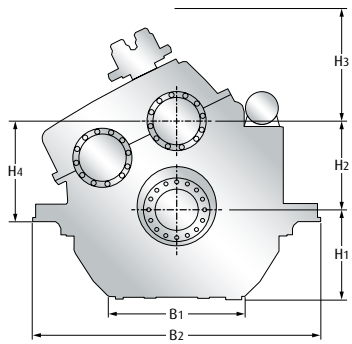
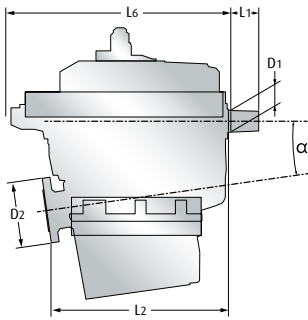
2,00 4824 (3600) 5628 (4200) 6566 (4900)

1,70 4100 (3060) 4784 (3570) 5581 (4165)

1,30 3136 (2340) 3658 (2730) 4268 (3185)

Dry weight including all accessories.





H3	H4	L1	L2	L6	$\alpha$	Weight
300	415	107	781	1050	8°	970
300	480	142	864	1160	8°	1300
400	525	154	970	1250	8°	1800

### WEIGHT

kg (lbs)

### RATIOS

# = special reduction ratio

#### 8° between input and output shaft

1100	(2420)	1,511; 2,054; 2,531; 3,036
1100	(2420)	3,520
1100	(2420)	4,136

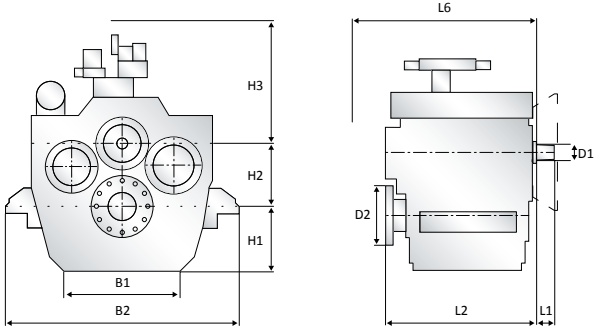
#### 8° between input and output shaft

1280	(2816)	1,512; 2,029; 2,551
1280	(2816)	3,120
1280	(2816)	3,478
1280	(2816)	4,136

#### 8° between input and output shaft

1750	(3850)	1,511; 2,054; 2,531; 3,036
1750	(3850)	3,520
1750	(3850)	4,136





H2	H3	L1	L2	L6	Weight (kg)
250	640-560	97	678	770	720

1000	1200	1400	1600
1340	1680	1876	2144

ZWVS 440			
ZWVS 440			

# Medium Duty

## VLJ 430



Product brochure

- Special ratio available on request
- Reduction gearbox with hydraulically operated clutch for waterjet application
- Available as horizontally offset configuration on request

### Main Dimensions mm (Vertically offset configuration)

Model	B1	B2	H1	H2	H3
<b>VLJ 430</b>	540	-	270	235	185

# M

### 1200 rpm

### 1600 rpm

### 1800 rpm

kW/rpm

BHP

(KW)

BHP

(KW)

BHP

(KW)

### VLJ 430

0,52

836

(624)

1115

(832)

1254

(936)

0,40

643

(480)

858

(640)

965

(720)

0,35

563

(420)

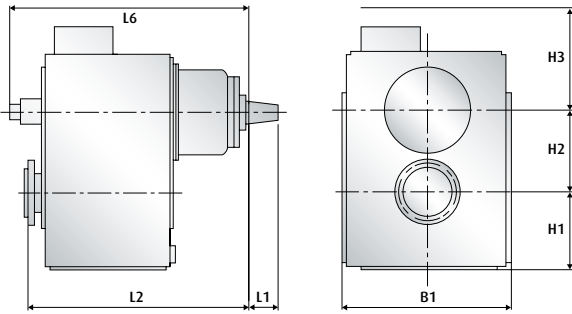
750

(560)

844

(630)

Dry weight including all accessories.



L1	L2	L4 SAE 1	L4 SAE 0	L4 SAE 00	L6
97	686	-	-	-	952

WEIGHT		RATIOS
kg	(lbs)	# = special reduction ratio
360	(792)	1,306; 1,767; 2,037; 2,458
360	(792)	2,905
360	(792)	3,316

# Medium Duty

## VLJ 730/1 – 930/1



Product brochure

- Special ratio available on request
- Reduction gearbox with hydraulically operated clutch for waterjet application
- Available as horizontally offset configuration on request
- Further sizes on request

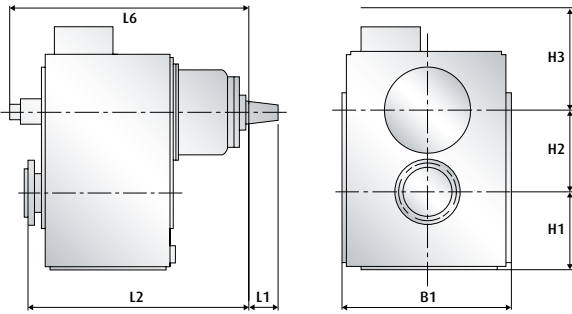
### Main Dimensions mm (Vertically offset configuration)

Model	B1	B2	H1	H2	H3
<b>VLJ 730/1</b>	640	-	325	310	480
<b>VLJ 930/1</b>	720	-	350	340	500

# M

kW/rpm	BHP	(KW)	BHP	(KW)	BHP	(KW)
<b>VLJ 730/1</b>	1200 rpm		1600 rpm		1800 rpm	
0,75	1206	(900)	1608	(1200)	1809	(1350)
0,71	1142	(852)	1522	(1136)	1713	(1278)
<b>VLJ 930/1</b>	1200 rpm		1600 rpm		1800 rpm	
1,10	1769	(1320)	2358	(1760)	2653	(1980)
1,05	1688	(1260)	2251	(1680)	2533	(1890)
0,89	1431	(1068)	1908	(1424)	2147	(1602)

Dry weight including all accessories.



L1	L2	L4 SAE 1	L4 SAE 0	L4 SAE 00	L6
110	795	-	-	-	1000
120	870	-	-	-	1125

**WEIGHT**

kg      (lbs)

**REDUCTION RATIOS**

560	(1232)	1,539; 2,036; 2,542
560	(1232)	3,048
740	(1628)	1,186; 1,525; 2,032
740	(1628)	2,482
740	(1628)	3,044

# Light Duty

## WAF/LAF 164 – 264



Product brochure

- Special ratio available on request
- Available as hybrid ready on request
- Reduction gearbox type AF without clutch available on request

### Main Dimensions mm (Vertically offset configuration)

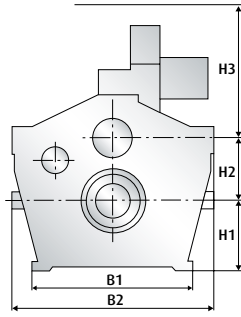
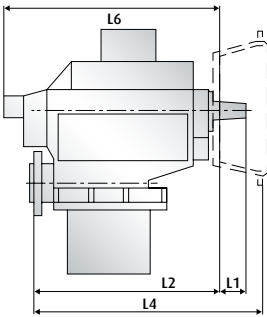
Model	B1	B2	H1	H2	H3
<b>WAF 164</b>	505	660	315	290	370
<b>WAF 244</b>	530	640	240	215	355
<b>WAF 264</b>	540	670	345	315	365

## L

kW/rpm	BHP	(KW)	BHP	(KW)	BHP	(KW)
<b>WAF 164</b>	1600 rpm		1800 rpm		2100 rpm	
0,24	515	(384)	579	(432)	675	(504)
0,22	472	(352)	531	(396)	619	(462)
<b>WAF 244</b>	1600 rpm		1800 rpm		2100 rpm	
0,29	628	(469)	707	(527)	825	(615)
0,28	600	(448)	675	(504)	788	(588)
0,26	557	(416)	627	(468)	732	(546)
0,24	515	(384)	579	(432)	675	(504)
<b>WAF 264</b>	1600 rpm		1800 rpm		2100 rpm	
0,29	628	(469)	707	(527)	825	(615)
0,28	600	(448)	675	(504)	788	(588)
0,25	536	(400)	603	(450)	704	(525)

Dry weight including all accessories.





L1	L2	L4 SAE 1	L4 SAE 0	L4 SAE 00	L6
70	595	-	655	-	685
70	560	-	625	-	685
70	595	-	660	-	685

**WEIGHT**
**REDUCTION RATIOS**

kg (lbs)

525	(1155)	4,560; 5,044
525	(1155)	5,950
455	(1001)	1,343
455	(1001)	2,957
455	(1001)	3,522
455	(1001)	3,952
700	(1540)	4,083; 4,500
700	(1540)	5,050
700	(1540)	5,800

# Light Duty

## WAF/LAF 274 – 364



Product brochure

- Special ratio available on request
- Available as hybrid ready on request
- Reduction gearbox type AF without clutch available on request

### Main Dimensions mm (Vertically offset configuration)

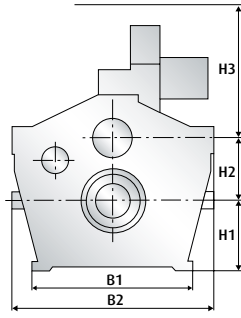
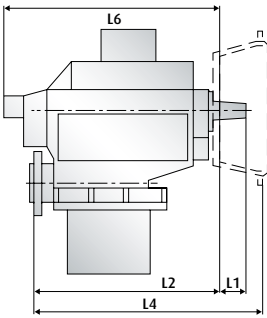
Model	B1	B2	H1	H2	H3
<b>WAF 274</b>	700	830	420	380	365
<b>WAF 344</b>	570	720	265	250	395
<b>WAF 364</b>	580	750	380	345	415



kW/rpm    BHP    (KW)    BHP    (KW)    BHP    (KW)

WAF 274	1600 rpm		1800 rpm		2100 rpm	
0,29	628	(469)	707	(527)	825	(615)
0,28	600	(448)	675	(504)	788	(588)
0,26	557	(416)	627	(468)	732	(546)
WAF 344	1600 rpm		1800 rpm		2100 rpm	
0,37	793	(592)	892	(666)	1041	(777)
0,34	729	(544)	820	(612)	957	(714)
0,32	686	(512)	772	(576)	900	(672)
WAF 364	1600 rpm		1800 rpm		2100 rpm	
0,37	793	(592)	892	(666)	1041	(777)
0,36	772	(576)	868	(648)	1013	(756)

Dry weight including all accessories.



L1	L2	L4 SAE 1	L4 SAE 0	L4 SAE 00	L6
70	600	-	665	-	690
80	645	-	750	-	740
80	665	-	775	-	755

**WEIGHT**

**REDUCTION RATIOS**

kg (lbs)

725	(1595)	6,115
725	(1595)	7,044
725	(1595)	7,409
730	(1606)	1,972; 2,452; 2,963
730	(1606)	3,571
730	(1606)	4,053
810	(1782)	3,933; 4,482; 4,920; 5,435
810	(1782)	6,048

# Light Duty

## WAF/LAF 444 – 474



Product brochure

- Special ratio available on request
- Available as hybrid ready on request
- Reduction gearbox type AF without clutch available on request

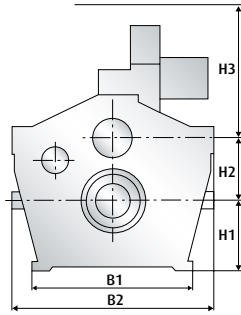
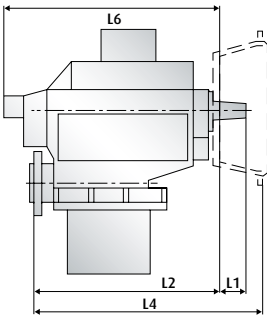
### Main Dimensions mm (Vertically offset configuration)

Model	B1	B2	H1	H2	H3
<b>WAF 374</b>	800	930	460	410	430
<b>WAF 444</b>	495	740	285	270	505
<b>WAF 464</b>	575	800	400	375	510
<b>WAF 474</b>	760	1310	510	460	330

## L

kW/rpm	BHP	(KW)	BHP	(KW)	BHP	(KW)
<b>WAF 374</b>	1600 rpm		1800 rpm		2100 rpm	
0,37	793	(592)	892	(666)	1041	(777)
0,34	729	(544)	820	(612)	957	(714)
<b>WAF 444</b>	1600 rpm		1800 rpm		2100 rpm	
0,47	1008	(752)	1134	(846)	1323	(987)
0,44	943	(704)	1061	(792)	1238	(924)
0,41	879	(656)	989	(738)	1154	(861)
<b>WAF 464</b>	1600 rpm		1800 rpm		2100 rpm	
0,47	1008	(752)	1134	(846)	1323	(987)
0,46	986	(736)	1110	(828)	1294	(966)
<b>WAF 474</b>	1600 rpm		1800 rpm		2100 rpm	
0,47	1008	(752)	1134	(846)	1323	(987)
0,46	986	(736)	1110	(828)	1294	(966)

Dry weight including all accessories.



L1	L2	L4 SAE 1	L4 SAE 0	L4 SAE 00	L6
80	670	-	775	-	860
95	720	-	820	-	810
95	725	-	825	-	810
95	745	845	845	-	810

### WEIGHT

kg (lbs)

### REDUCTION RATIOS

1200	(2640)	6,120; 6,417; 7,091
1200	(2640)	7,476
760	(1672)	1,698; 1,974; 2,962
760	(1672)	3,522
760	(1672)	3,952
940	(2068)	4,577; 5,042; 5,591
940	(2068)	5,905
1830	(4026)	6,417; 7,091
1830	(4026)	7,476

# Light Duty

## WAF/LAF 542 – 572



Product brochure

- Special ratio available on request
- Available as hybrid ready on request
- Reduction gearbox type AF without clutch available on request

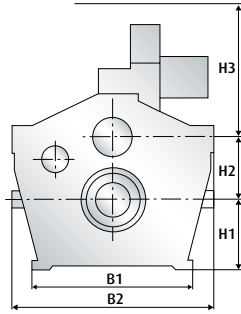
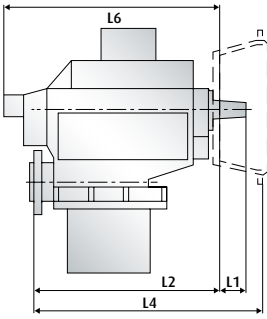
### Main Dimensions mm (Vertically offset configuration)

Model	B1	B2	H1	H2	H3
<b>WAF 542</b>	530	840	380	310	540
<b>WAF 563</b>	570	920	475	410	550
<b>WAF 572</b>	690	1360	575	505	500

## L

kW/rpm	BHP	(KW)	BHP	(KW)	BHP	(KW)
<b>WAF 542</b>	1600 rpm		1800 rpm		2100 rpm	
0,58	1244	(928)	1399	(1044)	1632	(1218)
<b>WAF 563</b>	1600 rpm		1800 rpm		2100 rpm	
0,59	1265	(944)	1423	(1062)	1660	(1239)
0,58	1244	(928)	1399	(1044)	1632	(1218)
<b>WAF 572</b>	1600 rpm		1800 rpm		2100 rpm	
0,58	1244	(928)	1399	(1044)	1632	(1218)

Dry weight including all accessories.



L1	L2	L4 SAE 1	L4 SAE 0	L4 SAE 00	L6
95	775	-	895	910	935
95	820	-	940	960	1060
95	835	-	955	970	980

**WEIGHT**

**REDUCTION RATIOS**

kg (lbs)

1035	(2277)	2,542; 2,960; 3,542; 3,955; 4,450
1445	(3179)	5,050; 5,421
1445	(3179)	5,947
2360	(5192)	6,417; 7,091; 7,474

# Light Duty

## WVS/WLS 234/1 – 430/1



Product brochure

- Special ratio available on request
- Available as hybrid ready on request
- Light weight gearbox
- Input and output on opposite sides

### Main Dimensions mm (Vertically offset configuration)

Model	B1	B2	H1	H2	H3
<b>WVS 234/1</b>	475	640	200	200	420
<b>WVS 334</b>	530	720	240	215	420
<b>WVS 430/1</b>	400	730	260	235	390

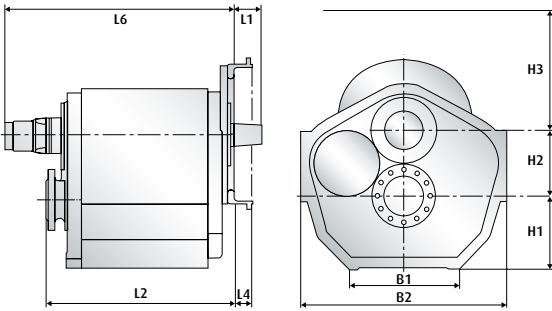


kW/rpm    BHP    (KW)    BHP    (KW)    BHP    (KW)

WVS 234/1	1800 rpm		2100 rpm		2600 rpm	
0,27	651	(486)	760	(567)	941	(702)
0,25	603	(450)	704	(525)	871	(650)
WVS 334	1800 rpm		2100 rpm		2600 rpm	
0,36	868	(648)	1013	(756)	1254	(936)
0,35	844	(630)	985	(735)	1219	(910)
0,32	772	(576)	900	(672)	1115	(832)
0,29	699	(522)	816	(609)	1010	(754)
WVS 430/1	1800 rpm		2100 rpm		2600 rpm	
0,58	1399	(1044)	1632	(1218)	2021	(1508)
0,50	1206	(900)	1407	(1050)	1742	(1300)
0,42	1013	(756)	1182	(882)	1463	(1092)

Dry weight including all accessories.





L1	L2	L4 SAE 1	L4 SAE 0	L4 SAE 00	L6
69	483	64	-	-	680
100	564	109	-	-	700
-	675	60	-	-	840

### WEIGHT

kg (lbs)

### REDUCTION RATIOS

indicated max. rpm on request

295	(649)	1,179; 1,500#; 2,036; 2,542#
295	(649)	2,864

indicated max. rpm on request

340	(748)	1,122; 1,485; 2,037; 2,407#
340	(748)	2,538
340	(748)	2,956#
340	(748)	3,522

indicated max. rpm on request

490	(1078)	1,184; 1,485; 1,767; 2,037; 2,458
490	(1078)	2,905
490	(1078)	3,550

# Light Duty

## WVS/WLS 730/1L – 1130L



Product brochure

- Special ratio available on request
- Available as hybrid ready on request
- Light weight gearbox
- Input and output on opposite sides

### Main Dimensions mm (Vertically offset configuration)

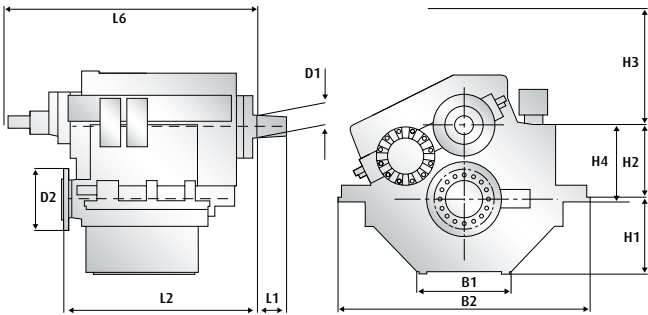
Model	B1	B2	H1	H2	H3
<b>WVS 730/1L</b>	650	1036	323	310	540
<b>WVS 930/1L</b>	750	1166	348	340	560
<b>WVS 1130L</b>	700	1350	435	425	650



kW/rpm    BHP    (KW)    BHP    (KW)    BHP    (KW)

WVS 730/1L	1800 rpm		2100 rpm		2500 rpm	
0,70	1688	(1260)	1970	(1470)	2345	(1750)
0,67	1616	(1206)	1885	(1407)	2245	(1675)
0,60	1447	(1080)	1688	(1260)	2010	(1500)
WVS 930/1L	1800 rpm		2100 rpm		2500 rpm	
1,00	2412	(1800)	2814	(2100)	3350	(2500)
0,93	2243	(1674)	2617	(1953)	3116	(2325)
0,83	2002	(1494)	2336	(1743)	2780	(2075)
WVS 1130L	1800 rpm		1950 rpm		2300 rpm	
1,60	3859	(2880)	4181	(3120)	4931	(3680)
1,30	3136	(2340)	3397	(2535)	4007	(2990)

Dry weight including all accessories.



H4	L1	L2	L4 SAE 1	L4 SAE 0	L4 SAE 00	L6
340	110	795	-	-	-	965
385	120	845	-	-	-	1024
440	157	1085	-	-	-	1255

### WEIGHT

kg (lbs)

### REDUCTION RATIOS

indicated max. rpm on request

720 (1584) 1,538; 2,036; 2,542; 3,048

720 (1584) 3,542#

720 (1584) 3,954#

indicated max. rpm on request

925 (2035) 1,381#; 2,032; 2,482; 3,044

925 (2035) 3,542#

925 (2035) 3,954#

indicated max. rpm on request

1550 (3410) 1,512; 2,029; 2,433; 2,962; 3,478#

1550 (3410) 3,905#

# Light Duty

## WVS/WLS 730/1 – 1130



Product brochure

- Special ratio available on request
- Available as hybrid ready on request
- Light weight gearbox
- Input and output on opposite sides

### Main Dimensions mm (Vertically offset configuration)

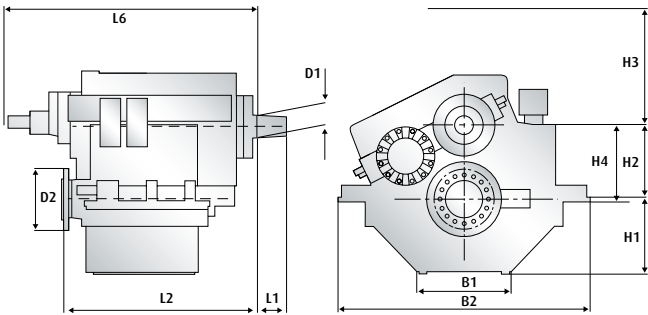
Model	B1	B2	H1	H2	H3
<b>WVS 730/1</b>	650	1036	323	310	540
<b>WVS 930/1</b>	750	1166	348	340	560
<b>WVS 1130</b>	700	1350	435	425	650



kW/rpm    BHP    (KW)    BHP    (KW)    BHP    (KW)

WVS 730/1	1800 rpm		2100 rpm		2500 rpm	
0,92	2219	(1656)	2589	(1932)	3082	(2300)
0,87	2098	(1566)	2448	(1827)	2914	(2175)
0,60	1447	(1080)	1688	(1260)	2010	(1500)
WVS 930/1	1800 rpm		2100 rpm		2500 rpm	
1,28	3087	(2304)	3602	(2688)	4288	(3200)
1,22	2943	(2196)	3433	(2562)	4087	(3050)
0,83	2002	(1494)	2336	(1743)	2780	(2075)
WVS 1130	1800 rpm		1950 rpm		2300 rpm	
1,85	4462	(3330)	4834	(3608)	5702	(4255)
1,70	4100	(3060)	4442	(3315)	5239	(3910)
1,55	3739	(2790)	4050	(3022)	4777	(3565)

Dry weight including all accessories.



H4	L1	L2	L4 SAE 1	L4 SAE 0	L4 SAE 00	L6
340	110	795	-	-	-	965
385	120	845	-	-	-	1024
440	157	1085	-	-	-	1255

### WEIGHT

kg (lbs)

### REDUCTION RATIOS

indicated max. rpm on request

725 (1595) 1,538; 2,036; 2,542

725 (1595) 3,048

725 (1595) 3,954

indicated max. rpm on request

950 (2090) 1,525; 2,032; 2,482

950 (2090) 3,044

950 (2090) 3,954

indicated max. rpm on request

1600 (3520) 1,512#; 2,029#; 2,433; 2,962#

1600 (3520) 3,478

1600 (3520) 3,905#

# Light Duty

## WVS/WLS 1540 – 2230



Product brochure

- Special ratio available on request
- Available as hybrid ready on request
- Light weight gearbox
- Input and output on opposite sides

### Main Dimensions mm (Vertically offset configuration)

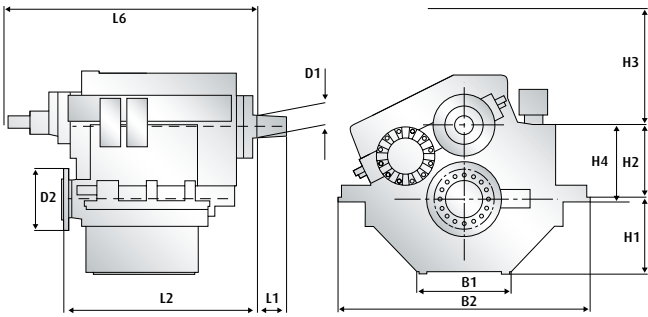
Model	B1	B2	H1	H2	H3
<b>WVS 1540</b>	650	1300	390	390	700
<b>WVS 1930</b>	500	1340	400	390	650
<b>WVS 2230</b>	700	1500	500	460	550



kW/rpm    BHP    (KW)    BHP    (KW)    BHP    (KW)

WVS 1540	1800 rpm		1950 rpm		2300 rpm	
1,50	3618	(2700)	3920	(2925)	4623	(3450)
1,45	3502	(2614)	3794	(2831)	4475	(3340)
1,36	3273	(2443)	3546	(2646)	4182	(3121)
1,29	3099	(2313)	3358	(2506)	3960	(2956)
WVS 1930	1800 rpm		1950 rpm		2300 rpm	
1,85	4462	(3330)	4834	(3608)	5702	(4255)
1,70	4100	(3060)	4442	(3315)	5239	(3910)
1,48	3579	(2671)	3878	(2894)	4574	(3413)
WVS 2230	1800 rpm		1950 rpm		2100 rpm	
2,45	5909	(4410)	6402	(4778)	6894	(5145)

Dry weight including all accessories.



H4	L1	L2	L4 SAE 1	L4 SAE 0	L4 SAE 00	L6
405	142	952	-	-	-	1375
405	154	1032	-	-	-	1300
475	162	1180	-	-	-	1480

### WEIGHT

kg (lbs)

indicated max. rpm on request

1450 (3190) 2,952; 3,368

1450 (3190) 3,947

1450 (3190) 4,350

1450 (3190) 4,632#

indicated max. rpm on request

1550 (3410) 1,410#; 2,032#; 2,458#; 2,952

1550 (3410) 3,368#

1550 (3410) 3,864#

indicated max. rpm on request

2150 (4730) 1,513#; 2,025; 2,414#; 2,630; 2,920#

### REDUCTION RATIOS

# Light Duty

## WVS 2240



Product brochure

- Special ratio available on request
- Available as hybrid ready on request
- Light weight gearbox
- Input and output on opposite sides

### Main Dimensions mm (Vertically offset configuration)

Model	B1	B2	H1	H2	H3
<b>WVS 2240</b>	700	1500	500	460	550

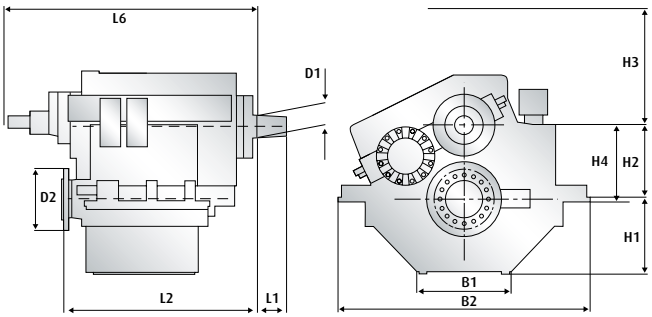
### L

kW/rpm    BHP    (KW)    BHP    (KW)    BHP    (KW)

<b>WVS 2240</b>	1800 rpm		1950 rpm		2100 rpm	
2,45	5909	(4410)	6402	(4778)	6894	(5145)
2,10	5065	(3780)	5487	(4095)	5909	(4410)

Dry weight including all accessories.





H4	L1	L2	L4 SAE 1	L4 SAE 0	L4 SAE 00	L6
475	162	1180	-	-	-	1480

**WEIGHT**

kg (lbs)

**REDUCTION RATIOS**

indicated max. rpm on request

2185 (4807)	3,039#; 3,375#; 3,565#; 3,818
2185 (4807)	4,130#

# Light Duty

## WVSA 740 – 1540



Product brochure

- Special ratio available on request
- Available as hybrid ready on request
- Reverse-reduction gearbox with hydraulically operated clutches
- Vertically offset. Input and output shaft on opposite sides
- Further sizes on request

### Main Dimensions mm (Vertically offset configuration)

Model	B1	B2	D1	D2	H1	H2
<b>WVSA 740</b>	560	1180	92	345	342	412
<b>WVSA 940</b>	640	1300	107	390	386	457
<b>WVSA 1540</b>	760	1530	117	420	415	509

**L**

1800 rpm

2100 rpm

2450 rpm

kW/rpm

BHP

(KW)

BHP

(KW)

BHP

(KW)

### WVSA 740

1,10 2653 (1980) 3095 (2310) 3611 (2695)

0,90 2171 (1620) 2533 (1890) 2955 (2205)

0,70 1688 (1260) 1970 (1470) 2298 (1715)

### WVSA 940

1,50 3618 (2700) 4221 (3150) 4924 (3675)

1,40 3377 (2520) 3940 (2940) 4596 (3430)

1,30 3136 (2340) 3658 (2730) 4268 (3185)

1,10 2653 (1980) 3095 (2310) 3611 (2695)

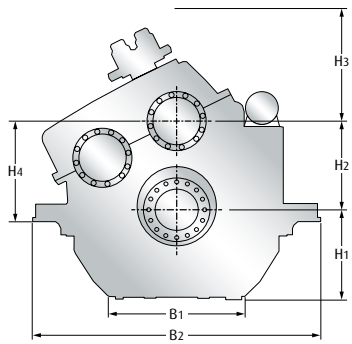
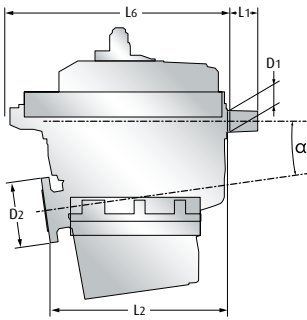
### WVSA 1540

2,00 4824 (3600) 5628 (4200) 6566 (4900)

1,70 4100 (3060) 4784 (3570) 5581 (4165)

1,30 3136 (2340) 3658 (2730) 4268 (3185)

Dry weight including all accessories.



H3	H4	L1	L2	L6	$\alpha$	Weight
300	415	107	781	1050	8°	970
300	480	142	864	1160	8°	1300
400	525	154	970	1250	8°	1800

### WEIGHT

kg (lbs)

### RATIOS

# = special reduction ratio

#### 8° between input and output shaft

1100 (2420) 1,511; 2,054; 2,531; 3,036

1100 (2420) 3,520

1100 (2420) 4,136

#### 8° between input and output shaft

1280 (2816) 1,512; 2,029; 2,551

1280 (2816) 3,120

1280 (2816) 3,478

1280 (2816) 4,136

#### 8° between input and output shaft

1750 (3850) 1,511; 2,054; 2,531; 3,036

1750 (3850) 3,520

1750 (3850) 4,136

# Light Duty

## VLJ 730/1 – 930/1



Product brochure

- Special ratio available on request
- Reduction gearbox with hydraulically operated clutch for waterjet application
- Available as horizontally offset configuration on request
- Further sizes on request

### Main Dimensions mm (Vertically offset configuration)

Model	B1	B2	H1	H2	H3
<b>VLJ 730/1</b>	640	-	325	310	480
<b>VLJ 930/1</b>	720	-	350	340	500



kW/rpm    BHP    (KW)    BHP    (KW)    BHP    (KW)

**VLJ 730/1**                      1600 rpm                      1800 rpm                      2100 rpm

0,92    1972    (1472)    2219    (1656)    2589    (1932)

0,84    1801    (1344)    2026    (1512)    2364    (1764)

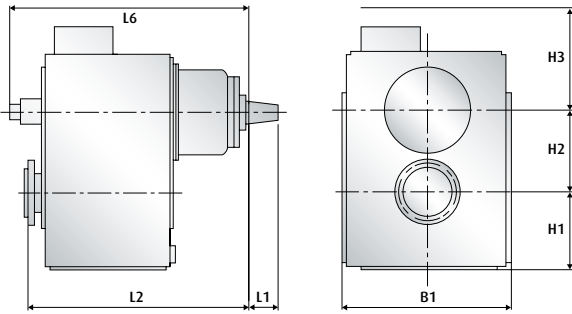
**VLJ 930/1**                      1600 rpm                      1800 rpm                      2100 rpm

1,26    2701    (2016)    3039    (2268)    3546    (2646)

1,22    2616    (1952)    2943    (2196)    3433    (2562)

1,05    2251    (1680)    2533    (1890)    2955    (2205)

Dry weight including all accessories.



L1	L2	L4 SAE 1	L4 SAE 0	L4 SAE 00	L6
110	795	-	-	-	1000
120	870	-	-	-	1125

### WEIGHT

kg (lbs)

### REDUCTION RATIOS

560	(1232)	1,539; 2,036; 2,542
560	(1232)	3,048
740	(1628)	1,186; 1,525; 2,032
740	(1628)	2,482
740	(1628)	3,044

# Pleasure Duty

## WAF/LAF 164 – 264



Product brochure

- Special ratio available on request
- Available as hybrid ready on request
- Reduction gearbox type AF without clutch available on request

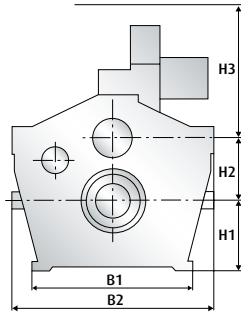
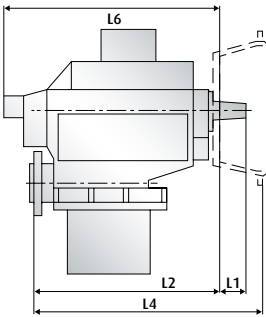
### Main Dimensions mm (Vertically offset configuration)

Model	B1	B2	H1	H2	H3
<b>WAF 164</b>	505	660	315	290	370
<b>WAF 244</b>	530	640	240	215	355
<b>WAF 264</b>	540	670	345	315	365

## P

kW/rpm	BHP	(KW)	BHP	(KW)	BHP	(KW)
<b>WAF 164</b>	1900 rpm		2100 rpm		2300 rpm	
0,25	636	(475)	704	(525)	770	(575)
0,23	586	(437)	647	(483)	709	(529)
<b>WAF 244</b>	1900 rpm		2100 rpm		2300 rpm	
0,29	746	(557)	825	(615)	903	(674)
0,29	738	(551)	816	(609)	894	(667)
0,27	687	(513)	760	(567)	832	(621)
0,25	636	(475)	704	(525)	770	(575)
<b>WAF 264</b>	1900 rpm		2100 rpm		2300 rpm	
0,29	746	(557)	825	(615)	903	(674)
0,29	738	(551)	816	(609)	894	(667)
0,26	662	(494)	732	(546)	801	(598)

Dry weight including all accessories.



L1	L2	L4 SAE 1	L4 SAE 0	L4 SAE 00	L6
70	595	-	655	-	685
70	560	-	625	-	685
70	595	-	660	-	685

**WEIGHT**

**REDUCTION RATIOS**

kg (lbs)

525	(1155)	4,560; 5,044
525	(1155)	5,950
455	(1001)	1,343
455	(1001)	2,957
455	(1001)	3,522
455	(1001)	3,952
700	(1540)	4,083; 4,500
700	(1540)	5,050
700	(1540)	5,800

# Pleasure Duty

## WAF/LAF 274 – 374



Product brochure

- Special ratio available on request
- Available as hybrid ready on request
- Reduction gearbox type AF without clutch available on request

### Main Dimensions mm (Vertically offset configuration)

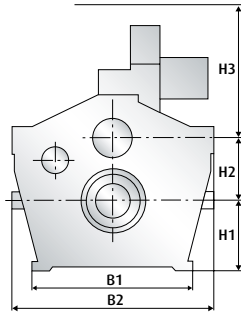
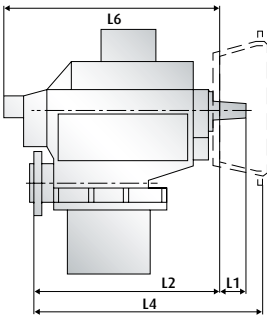
Model	B1	B2	H1	H2	H3
<b>WAF 274</b>	700	830	420	380	365
<b>WAF 344</b>	570	720	265	250	395
<b>WAF 364</b>	580	750	380	345	415
<b>WAF 374</b>	800	930	460	410	430

## P

kW/rpm	BHP	(KW)	BHP	(KW)	BHP	(KW)
<b>WAF 274</b>	1900 rpm		2100 rpm		2300 rpm	
0,29	746	(557)	825	(615)	903	(674)
0,27	687	(513)	760	(567)	832	(621)
<b>WAF 344</b>	1900 rpm		2100 rpm		2300 rpm	
0,38	967	(722)	1069	(798)	1171	(874)
0,35	891	(665)	985	(735)	1079	(805)
0,33	840	(627)	929	(693)	1017	(759)
<b>WAF 364</b>	1900 rpm		2100 rpm		2300 rpm	
0,38	967	(722)	1069	(798)	1171	(874)
0,37	942	(703)	1041	(777)	1140	(851)
<b>WAF 374</b>	1900 rpm		2100 rpm		2300 rpm	
0,38	967	(722)	1069	(798)	1171	(874)
0,35	891	(665)	985	(735)	1079	(805)

Dry weight including all accessories.





L1	L2	L4 SAE 1	L4 SAE 0	L4 SAE 00	L6
70	600	-	665	-	690
80	645	-	750	-	740
80	665	-	775	-	755
80	670	-	775	-	860

**WEIGHT**

**REDUCTION RATIOS**

kg (lbs)

725	(1595)	6,115; 7,044
725	(1595)	7,409
730	(1606)	1,972; 2,452; 2,963
730	(1606)	3,571
730	(1606)	4,053
810	(1782)	3,933; 4,482; 4,920; 5,435
810	(1782)	6,048
1200	(2640)	6,120; 6,417; 7,091
1200	(2640)	7,476

# Pleasure Duty

## WAF/LAF 444 – 542



Product brochure

- Special ratio available on request
- Available as hybrid ready on request
- Reduction gearbox type AF without clutch available on request

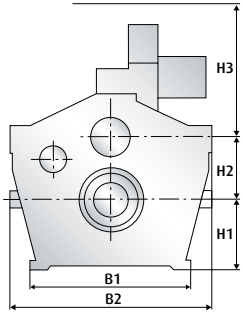
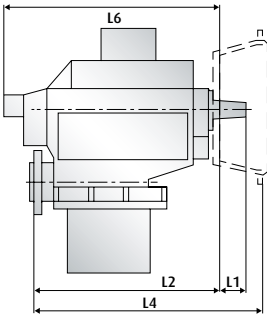
### Main Dimensions mm (Vertically offset configuration)

Model	B1	B2	H1	H2	H3
<b>WAF 444</b>	495	740	285	270	505
<b>WAF 464</b>	575	800	400	375	510
<b>WAF 474</b>	760	1310	510	460	330
<b>WAF 542</b>	530	840	380	310	540

## P

kW/rpm	BHP	(KW)	BHP	(KW)	BHP	(KW)
<b>WAF 444</b>	1900 rpm		2100 rpm		2300 rpm	
0,48	1222	(912)	1351	(1008)	1479	(1104)
0,42	1069	(798)	1182	(882)	1294	(966)
<b>WAF 464</b>	1900 rpm		2100 rpm		2300 rpm	
0,48	1222	(912)	1351	(1008)	1479	(1104)
0,47	1197	(893)	1323	(987)	1449	(1081)
<b>WAF 474</b>	1900 rpm		2100 rpm		2300 rpm	
0,48	1222	(912)	1351	(1008)	1479	(1104)
0,47	1197	(893)	1323	(987)	1449	(1081)
<b>WAF 542</b>	1900 rpm		2100 rpm		2300 rpm	
0,64	1629	(1216)	1801	(1344)	1972	(1472)
0,63	1604	(1197)	1773	(1323)	1942	(1449)

Dry weight including all accessories.



L1	L2	L4 SAE 1	L4 SAE 0	L4 SAE 00	L6
95	720	-	820	-	810
95	725	-	825	-	810
95	745	845	845	-	810
95	775	-	895	910	935

**WEIGHT**

**REDUCTION RATIOS**

kg (lbs)

760	(1672)	1,698; 1,974; 2,962; 3,522
760	(1672)	3,952
940	(2068)	4,577; 5,042; 5,591
940	(2068)	5,905
1830	(4026)	6,417; 7,091
1830	(4026)	7,476
1035	(2277)	2,542; 2,960; 3,542; 3,955
1035	(2277)	4,450

# Pleasure Duty

## WAF/LAF 563 – 572



Product brochure

- Special ratio available on request
- Available as hybrid ready on request
- Reduction gearbox type AF without clutch available on request

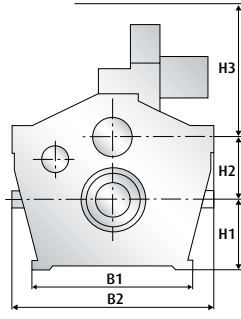
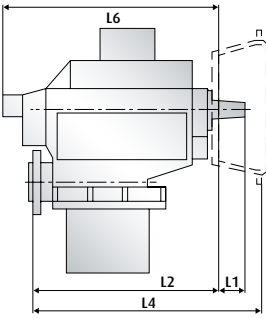
### Main Dimensions mm (Vertically offset configuration)

Model	B1	B2	H1	H2	H3
<b>WAF 563</b>	570	920	475	410	550
<b>WAF 572</b>	690	1360	575	505	500

**P**

kW/rpm	BHP	(KW)	BHP	(KW)	BHP	(KW)
<b>WAF 563</b>	1900 rpm		2100 rpm		2300 rpm	
0,64	1629	(1216)	1801	(1344)	1972	(1472)
<b>WAF 572</b>	1900 rpm		2100 rpm		2300 rpm	
0,64	1629	(1216)	1801	(1344)	1972	(1472)

Dry weight including all accessories.



L1	L2	L4 SAE 1	L4 SAE 0	L4 SAE 00	L6
95	820	-	940	960	1060
95	835	-	955	970	980

**WEIGHT**

**REDUCTION RATIOS**

kg (lbs)

1445 (3179)	5,050; 5,421; 5,947
2360 (5192)	6,417; 7,091; 7,474

# Pleasure Duty

## WVS/WLS 234/1 – 430/1



Product brochure

- Special ratio available on request
- Available as hybrid ready on request
- Light weight gearbox
- Input and output on opposite sides

### Main Dimensions mm (Vertically offset configuration)

Model	B1	B2	H1	H2	H3
<b>WVS 234/1</b>	475	640	200	200	420
<b>WVS 334</b>	530	720	240	215	420
<b>WVS 430/1</b>	400	730	260	235	390

## P

kW/rpm    BHP    (KW)    BHP    (KW)    BHP    (KW)

**WVS 234/1**    2100 rpm    2300 rpm    2600 rpm

0,29    825    (615)    903    (674)    1021    (762)

0,26    729    (544)    798    (596)    902    (673)

**WVS 334**    2100 rpm    2300 rpm    2600 rpm

0,47    1323    (987)    1449    (1081)    1637    (1222)

0,38    1075    (802)    1177    (879)    1331    (993)

0,32    900    (672)    986    (736)    1115    (832)

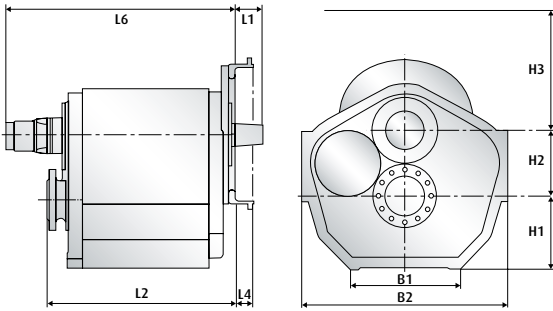
**WVS 430/1**    2100 rpm    2300 rpm    2600 rpm

0,60    1688    (1260)    1849    (1380)    2090    (1560)

0,52    1463    (1092)    1603    (1196)    1812    (1352)

0,42    1182    (882)    1294    (966)    1463    (1092)

Dry weight including all accessories.



L1	L2	L4 SAE 1	L4 SAE 0	L4 SAE 00	L6
69	483	64	-	-	680
100	564	109	-	-	700
-	675	60	-	-	840

### WEIGHT

kg (lbs)

indicated max. rpm on request

295 (649) 1,179; 1,500#; 2,036; 2,542#

295 (649) 2,864

indicated max. rpm on request

340 (748) 1,122; 1,485; 2,037; 2,407#; 2,538

340 (748) 2,956#

340 (748) 3,522

indicated max. rpm on request

490 (1078) 1,184; 1,485; 1,767; 2,037; 2,458

490 (1078) 2,905

490 (1078) 3,550

### REDUCTION RATIOS

# Pleasure Duty

## WVS/WLS 730/1L – 1130L



Product brochure

- Special ratio available on request
- Available as hybrid ready on request
- Light weight gearbox
- Input and output on opposite sides

### Main Dimensions mm (Vertically offset configuration)

Model	B1	B2	H1	H2	H3
<b>WVS 730/1L</b>	650	1036	323	310	540
<b>WVS 930/1L</b>	750	1166	348	340	560
<b>WVS 1130L</b>	700	1350	435	425	650

**P**

kW/rpm    BHP    (KW)    BHP    (KW)    BHP    (KW)

**WVS 730/1L**    2100 rpm    2300 rpm    2500 rpm

0,70    1970    (1470)    2157    (1610)    2345    (1750)

0,67    1885    (1407)    2065    (1541)    2245    (1675)

0,60    1688    (1260)    1849    (1380)    2010    (1500)

**WVS 930/1L**    2100 rpm    2300 rpm    2500 rpm

1,00    2814    (2100)    3082    (2300)    3350    (2500)

0,93    2617    (1953)    2866    (2139)    3116    (2325)

0,83    2336    (1743)    2558    (1909)    2780    (2075)

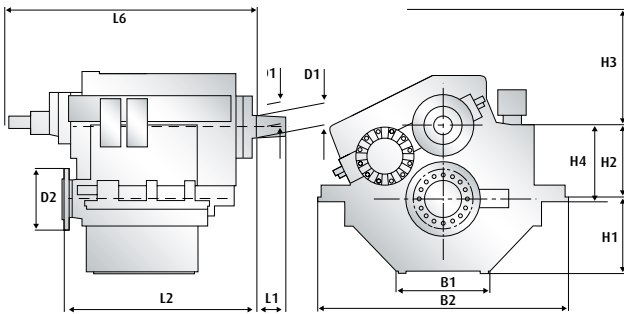
**WVS 1130L**    1800 rpm    1950 rpm    2300 rpm

1,60    3859    (2880)    4181    (3120)    4931    (3680)

1,30    3136    (2340)    3397    (2535)    4007    (2990)

Dry weight including all accessories.





H4	L1	L2	L4 SAE 1	L4 SAE 0	L4 SAE 00	L6
340	110	795	-	-	-	965
385	120	845	-	-	-	1024
440	157	1085	-	-	-	1255

### WEIGHT

kg (lbs)

### REDUCTION RATIOS

indicated max. rpm on request

720 (1584) 1,538; 2,036; 2,542; 3,048

720 (1584) 3,542#

720 (1584) 3,954#

indicated max. rpm on request

925 (2035) 1,381#; 2,032; 2,482; 3,044

925 (2035) 3,542#

925 (2035) 3,954#

indicated max. rpm on request

1550 (3410) 1,512; 2,029; 2,433; 2,962; 3,478#

1550 (3410) 3,905#

# Pleasure Duty

## WVS/WLS 730/1 – 1130



Product brochure

- Special ratio available on request
- Available as hybrid ready on request
- Light weight gearbox
- Input and output on opposite sides

### Main Dimensions mm (Vertically offset configuration)

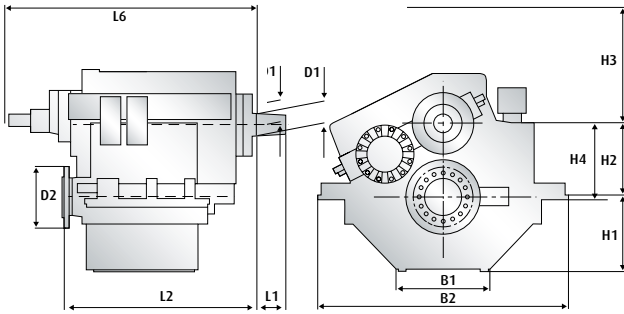
Model	B1	B2	H1	H2	H3
<b>WVS 730/1</b>	650	1036	323	310	540
<b>WVS 930/1</b>	750	1166	348	340	560
<b>WVS 1130</b>	700	1350	435	425	650

**P**

kW/rpm    BHP    (KW)    BHP    (KW)    BHP    (KW)

WVS 730/1	2100 rpm		2300 rpm		2500 rpm	
0,95	2673	(1995)	2928	(2185)	3182	(2375)
0,60	1688	(1260)	1849	(1380)	2010	(1500)
WVS 930/1	2100 rpm		2300 rpm		2500 rpm	
1,34	3771	(2814)	4130	(3082)	4489	(3350)
1,22	3433	(2562)	3760	(2806)	4087	(3050)
0,83	2336	(1743)	2558	(1909)	2780	(2075)
WVS 1130	1800 rpm		1950 rpm		2300 rpm	
1,90	4583	(3420)	4965	(3705)	5856	(4370)
1,85	4462	(3330)	4834	(3608)	5702	(4255)
1,70	4100	(3060)	4442	(3315)	5239	(3910)
1,55	3739	(2790)	4050	(3022)	4777	(3565)

Dry weight including all accessories.



H4	L1	L2	L4 SAE 1	L4 SAE 0	L4 SAE 00	L6
340	110	795	-	-	-	965
385	120	845	-	-	-	1024
440	157	1085	-	-	-	1255

### WEIGHT

kg (lbs)

indicated max. rpm on request

725 (1595) 1,538; 2,036; 2,542; 3,048

725 (1595) 3,954

indicated max. rpm on request

950 (2090) 1,525; 2,032; 2,482

950 (2090) 3,044

950 (2090) 3,954

indicated max. rpm on request

1600 (3520) 1,512#; 2,029#; 2,433

1600 (3520) 2,962#

1600 (3520) 3,478

1600 (3520) 3,905#

### REDUCTION RATIOS

# Pleasure Duty

## WVS/WLS 2230 – 2240



Product brochure

- Special ratio available on request
- Available as hybrid ready on request
- Light weight gearbox
- Input and output on opposite sides

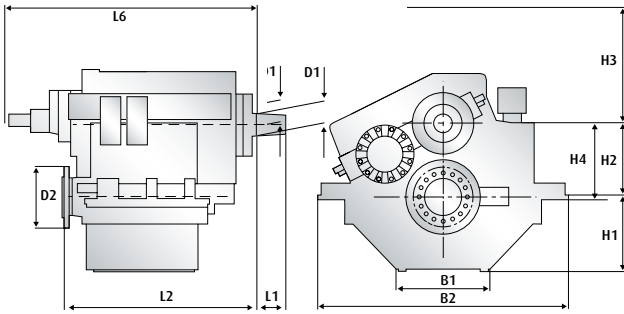
### Main Dimensions mm (Vertically offset configuration)

Model	B1	B2	H1	H2	H3
<b>WVS 2230</b>	700	1500	500	460	550
<b>WVS 2240</b>	700	1500	500	460	550

**P**

kW/rpm	BHP	(KW)	BHP	(KW)	BHP	(KW)
<b>WVS 2230</b>	1800 rpm		1950 rpm		2100 rpm	
2,51	6054	(4518)	6559	(4894)	7063	(5271)
<b>WVS 2240</b>	1800 rpm		1950 rpm		2100 rpm	
2,51	6054	(4518)	6559	(4894)	7063	(5271)
2,20	5306	(3960)	5749	(4290)	6191	(4620)

Dry weight including all accessories.



H4	L1	L2	L4 SAE 1	L4 SAE 0	L4 SAE 00	L6
475	162	1180	-	-	-	1480
475	162	1180	-	-	-	1480

### WEIGHT

kg (lbs)

indicated max. rpm on request

2150 (4730) 1,513#; 2,025; 2,414#; 2,630; 2,920#

indicated max. rpm on request

2185 (4807) 3,039#; 3,375#; 3,565#; 3,818

2185 (4807) 4,130#

### REDUCTION RATIOS

# Pleasure Duty

## WVSA 740 – 1540



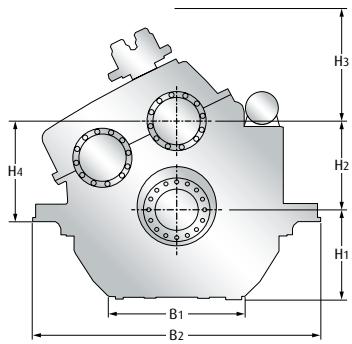
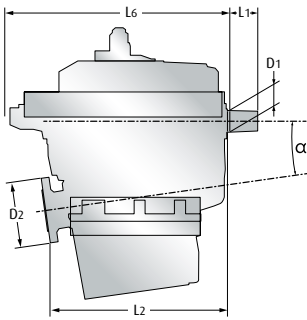
Product brochure

- Special ratio available on request
- Available as hybrid ready on request
- Reverse-reduction gearbox with hydraulically operated clutches. Vertically offset
- Input and output shaft on opposite sides
- Further sizes on request

### P

kW/rpm	1800 rpm		2100 rpm		2450 rpm	
	BHP	(KW)	BHP	(KW)	BHP	(KW)
<b>WVSA 740</b>						
1,10	2653	(1980)	3095	(2310)	3611	(2695)
0,90	2171	(1620)	2533	(1890)	2955	(2205)
0,70	1688	(1260)	1970	(1470)	2298	(1715)
<b>WVSA 940</b>						
1,50	3618	(2700)	4221	(3150)	4924	(3675)
1,40	3377	(2520)	3940	(2940)	4596	(3430)
1,30	3136	(2340)	3658	(2730)	4268	(3185)
1,10	2653	(1980)	3095	(2310)	3611	(2695)
<b>WVSA 1540</b>						
2,00	4824	(3600)	5628	(4200)	6566	(4900)
1,70	4100	(3060)	4784	(3570)	5581	(4165)
1,30	3136	(2340)	3658	(2730)	4268	(3185)

Dry weight including all accessories.


**WEIGHT**
**RATIOS**

kg (lbs) # = special reduction ratio

8° between input and output shaft

1100 (2420) 1,511; 2,054; 2,531; 3,036

1100 (2420) 3,520

1100 (2420) 4,136

8° between input and output shaft

1280 (2816) 1,512; 2,029; 2,551

1280 (2816) 3,120

1280 (2816) 3,478

1280 (2816) 4,136

8° between input and output shaft

1750 (3850) 1,511; 2,054; 2,531; 3,036

1750 (3850) 3,520

1750 (3850) 4,136

# Pleasure Duty

## VLJ 730/1 – 930/1



Product brochure

- Special ratio available on request
- Reduction gearbox with hydraulically operated clutch for waterjet application
- Available as horizontally offset configuration on request
- Further sizes on request

### Main Dimensions mm (Vertically offset configuration)

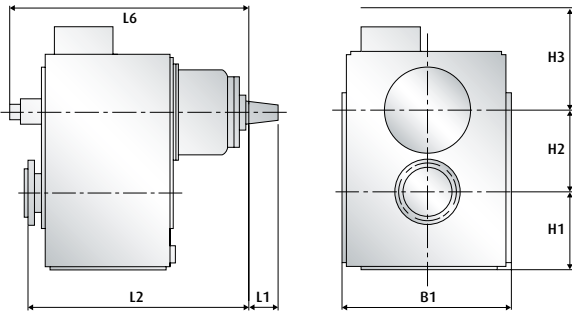
Model	B1	B2	H1	H2	H3
<b>VLJ 730/1</b>	640	-	325	310	480
<b>VLJ 930/1</b>	720	-	350	340	500

**P**

kW/rpm	BHP	(KW)	BHP	(KW)	BHP	(KW)
<b>VLJ 730/1</b>	1600 rpm		1800 rpm		2100 rpm	
0,95	2037	(1520)	2291	(1710)	2673	(1995)
<b>VLJ 930/1</b>	1600 rpm		1800 rpm		2100 rpm	
1,29	2766	(2064)	3111	(2322)	3630	(2709)
1,22	2616	(1952)	2943	(2196)	3433	(2562)

Dry weight including all accessories.





L1	L2	L4 SAE 1	L4 SAE 0	L4 SAE 00	L6
110	795	-	-	-	1000
120	870	-	-	-	1125

**WEIGHT**

kg      (lbs)

**REDUCTION RATIOS**

560	(1232)	1,539; 2,036; 2,542; 3,048
740	(1628)	1,186; 1,525; 2,032; 2,482
740	(1628)	3,044

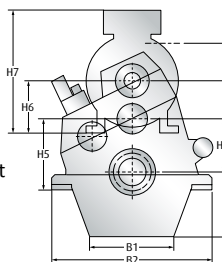
# Continuous Duty

## WAF/LAF 665 – 773 HS (Hybrid System)



Product brochure

- Special ratio available on request
- RHS > 630 ekW available on request



### Main Dimensions\* mm (Vertically offset configuration)

Model	B1	B2	D1	D2	D3	H1
<b>WAF 665 HS</b>	430	1160	85	420	80	490
<b>WAF 675 HS</b>	650	1480	85	420	80	610
<b>WAF 743 HS</b>	610	1160	92	350	100	490
<b>WAF 763 HS</b>	680	1300	92	375	100	530
<b>WAF 773 HS</b>	790	1670	92	420	100	680

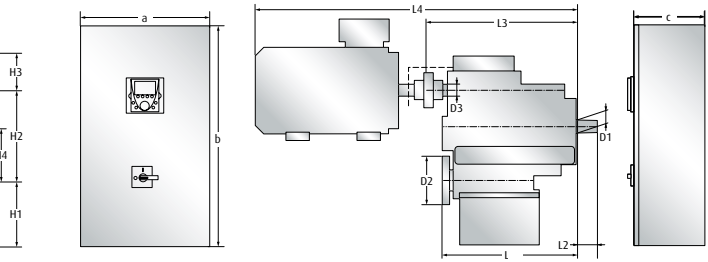
\*Dimensions L4, H6, H7 depending on electric motor size. Frequency converter dimensions on page 246/247.



kW/rpm    BHP    (KW)    BHP    (KW)    BHP    (KW)

WAF 665	1200 rpm	1600 rpm	1800 rpm
0,77	1238 (924)	1651 (1232)	1857 (1386)
WAF 675	1200 rpm	1600 rpm	1800 rpm
0,77	1238 (924)	1651 (1232)	1857 (1386)
WAF 743	1200 rpm	1600 rpm	1800 rpm
0,98	1576 (1176)	2101 (1568)	2364 (1764)
0,97	1560 (1164)	2080 (1552)	2340 (1746)
WAF 763	1200 rpm	1600 rpm	1800 rpm
0,98	1576 (1176)	2101 (1568)	2364 (1764)
0,97	1560 (1164)	2080 (1552)	2340 (1746)
WAF 773	1200 rpm	1600 rpm	1800 rpm
0,98	1576 (1176)	2101 (1568)	2364 (1764)

Weights exclude electric motor. Dry weight including all accessories.



H2	H3	H4	H5	L1	L2	L3
680	250	430	560	101	979	1085
800	250	550	680	101	990	1085
680	300	380	510	107	1046	1186
790	300	490	630	107	1047	1187
920	300	620	760	107	1064	1204

### WEIGHT

kg (lbs)

### REDUCTION RATIOS

1950	(4290)	3,536; 4,080; 4,560; 5,044; 5,571; 5,950
2600	(5720)	6,417; 6,739; 7,091; 7,476
1800	(3960)	2,467; 3,038; 3,550
1800	(3960)	3,952
2300	(5060)	4,192; 4,625; 5,136; 5,750
2300	(5060)	5,913
3200	(7040)	6,154; 6,440; 7,087; 7,454

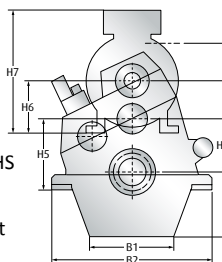
# Continuous Duty

## WAF/LAF 843 – 1143 HS (Hybrid System)



Product brochure

- Special ratio available on request
- Further sizes up to WAF/LAF 1973 HS on request
- RHS > 630 ekW available on request



### Main Dimensions\* mm (Vertically offset configuration)

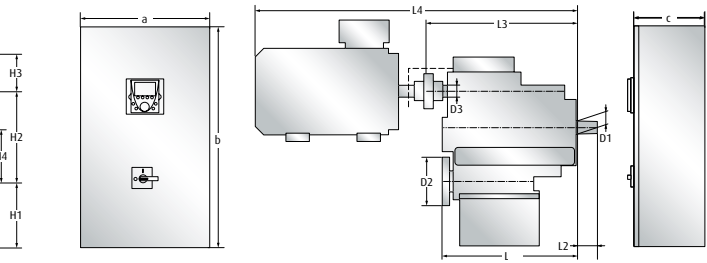
Model	B1	B2	D1	D2	D3	H1
<b>WAF 843 HS</b>	680	1300	107	375	100	530
<b>WAF 863 HS</b>	705	1400	107	420	100	590
<b>WAF 873 HS</b>	860	1650	107	480	100	750
<b>WAF 1143 HS</b>						

\*Dimensions L4, H6, H7 depending on electric motor size. Frequency converter dimensions on page 246/247.



kW/rpm	BHP	(KW)	BHP	(KW)	BHP	(KW)
<b>WAF 843</b>	1200 rpm		1600 rpm		1800 rpm	
1,38	2219	(1656)	2959	(2208)	3329	(2484)
1,27	2042	(1524)	2723	(2032)	3063	(2286)
<b>WAF 863</b>	1200 rpm		1600 rpm		1800 rpm	
1,38	2219	(1656)	2959	(2208)	3329	(2484)
<b>WAF 873</b>	1200 rpm		1600 rpm		1800 rpm	
1,38	2219	(1656)	2959	(2208)	3329	(2484)
<b>WAF 1143</b>	1200 rpm		1600 rpm		1800 rpm	
1,63	2621	(1956)	3495	(2608)	3932	(2934)
1,60	2573	(1920)	3430	(2560)	3859	(2880)
1,48	2380	(1776)	3173	(2368)	3570	(2664)

Weights exclude electric motor. Dry weight including all accessories.



H2	H3	H4	H5	L1	L2	L3
725	350	425	565	142	1090	1224
840	350	540	690	142	1120	1254
970	350	670	710	142	1150	1284
on request						

### WEIGHT

kg (lbs)

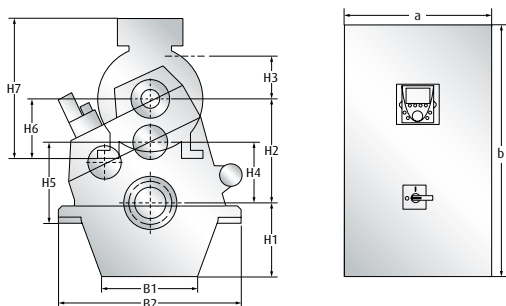
### REDUCTION RATIOS

2300	(5060)	2,091; 3,080; 3,500; 3,905
2300	(5060)	4,087
3100	(6820)	4,458; 4,954; 5,500; 5,842
4100	(9020)	6,440; 7,087; 7,454; 7,526
2750	(6050)	1,966; 2,429; 3,037
2750	(6050)	3,500
2750	(6050)	3,909

# Continuous Duty

## HS (Hybrid System)

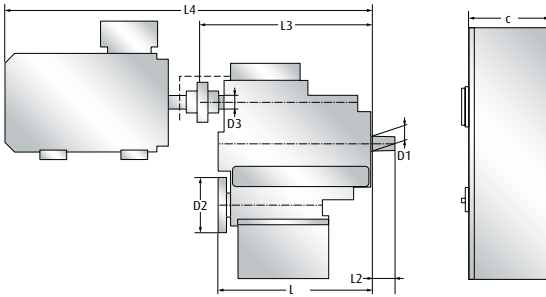
- Special ratio available on request



**Main Dimensions mm (Vertically offset configuration)**

Model	B1	B2	D1	D2	D3	H1	H2	H3	H4
<b>LAF 7750</b>	998	2300	217	699	115	910	1590	1330	910

Gearbox	Mechanical Power (kW)	Electrical Power (kWe)
<b>LAF 3410</b>	3000	1000
<b>LAF 5655</b>	7400	1000
<b>LAF 6755</b>	7400	1000
<b>LAF 7750</b>	3920	1000
<b>DLG 2231</b>	2 x 2400	1000
<b>DLG 3339</b>	2 x 2666	1000
<b>DLG 4439</b>	2 x 3000	1500
<b>SVAL 950-66</b>	7400	2500
<b>SVAL 950-77</b>	10000	2500



H4	H5	L1	L2	L3	L4	H6	H7	a	b	c
1000	1100	306	2170	2600	450	1828	5145	1200	2000	600

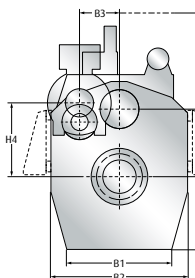
# Pleasure Duty

## WAF/LAF 344 – 374 HS (Hybrid System)



Product brochure

- Special ratio available on request
- Smaller sizes on request
- RHS > 630 ekW available on request



### Main Dimensions\* mm (Vertically offset configuration)

Model	B1	B2	B3	D1	D2	H1	H2
<b>WAF 344 HS</b>	570	720	201	60	285	265	250
<b>WAF 364 HS</b>	580	750	213	60	325	380	345
<b>WAF 374 HS</b>	800	930	216	60	325	460	410

Weights include gearbox and electric motor.

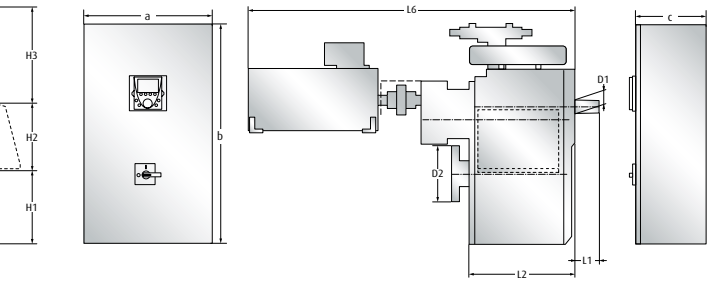
\*Dimensions L4, H6, H7 depending on electric motor size. Frequency converter dimensions on page 246/247.

**P**

kW/rpm	BHP	(KW)	BHP	(KW)	BHP	(KW)
<b>WAF 344</b>	1900 rpm		2100 rpm		2300 rpm	
0,38	967	(722)	1069	(798)	1171	(874)
0,35	891	(665)	985	(735)	1079	(805)
0,33	840	(627)	929	(693)	1017	(759)
<b>WAF 364</b>	1900 rpm		2100 rpm		2300 rpm	
0,38	967	(722)	1069	(798)	1171	(874)
0,37	942	(703)	1041	(777)	1140	(851)
<b>WAF 374</b>	1900 rpm		2100 rpm		2300 rpm	
0,38	967	(722)	1069	(798)	1171	(874)
0,35	891	(665)	985	(735)	1079	(805)

Weights exclude electric motor. Dry weight including all accessories.





H3 max.	H4	L1	L2	L4		Weight (kg)	
				60 kWe	100 kWe	60 kWe	100 kWe
590	249	80	644	1492	1712	1160	1280
590	372	80	667	1509	1729	1310	1430
590	448	80	667	1509	1729	1570	1690

### WEIGHT

kg (lbs)

### REDUCTION RATIOS

730	(1606)	1,972; 2,452; 2,963
730	(1606)	3,571
730	(1606)	4,053
810	(1782)	3,933; 4,482; 4,920; 5,435
810	(1782)	6,048
1200	(2640)	6,120; 6,417; 7,091
1200	(2640)	7,476

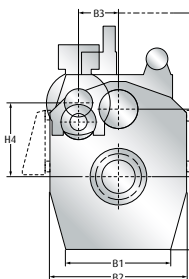
# Pleasure Duty

## WAF/LAF 444 – 542 HS (Hybrid System)



Product brochure

- Special ratio available on request
- RHS > 630 kW available on request



### Main Dimensions\* mm (Vertically offset configuration)

Model	B1	B2	B3	D1	D2	H1	H2
<b>WAF 444 HS</b>	493	804	208	75	300	285	270
<b>WAF 464 HS</b>	575	800	219	75	325	400	375
<b>WAF 474 HS</b>	760	1040	223	75	350	510	460
<b>WAF 542 HS</b>	535	840	229	75	325	380	310

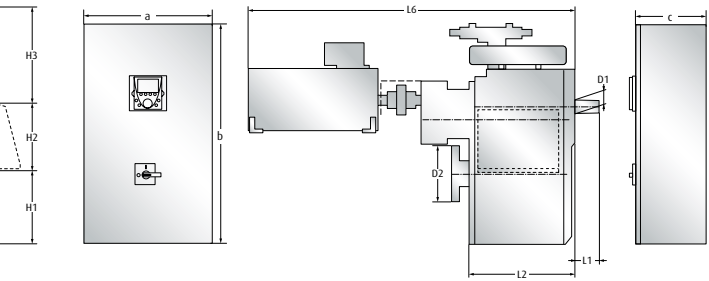
Weights include gearbox and electric motor.

\*Dimensions L4, H6, H7 depending on electric motor size. Frequency converter dimensions on page 246/247.

**P**

kW/rpm	BHP	(KW)	BHP	(KW)	BHP	(KW)
<b>WAF 444</b>	1900 rpm		2100 rpm		2300 rpm	
0,48	1222	(912)	1351	(1008)	1479	(1104)
0,42	1069	(798)	1182	(882)	1294	(966)
<b>WAF 464</b>	1900 rpm		2100 rpm		2300 rpm	
0,48	1222	(912)	1351	(1008)	1479	(1104)
0,47	1197	(893)	1323	(987)	1449	(1081)
<b>WAF 474</b>	1900 rpm		2100 rpm		2300 rpm	
0,48	1222	(912)	1351	(1008)	1479	(1104)
0,47	1197	(893)	1323	(987)	1449	(1081)
<b>WAF 542</b>	1900 rpm		2100 rpm		2300 rpm	
0,64	1629	(1216)	1801	(1344)	1972	(1472)
0,63	1604	(1197)	1773	(1323)	1942	(1449)

Weights exclude electric motor. Dry weight including all accessories.



H3 max.	H4	L1	L2	L4		Weight (kg)	
				60 kWe	100 kWe	60 kWe	100 kWe
670	272	97	721	1630	1850	1240	1360
670	405	97	723	1630	1850	1435	1550
580	503	97	745	1630	1850	1910	2030
735	309	97	776	1748	1968	1560	1680

### WEIGHT

### REDUCTION RATIOS

kg (lbs)

760	(1672)	1,698; 1,974; 2,962; 3,522
760	(1672)	3,952
940	(2068)	4,577; 5,042; 5,591
940	(2068)	5,905
1830	(4026)	6,417; 7,091
1830	(4026)	7,476
1035	(2277)	2,542; 2,960; 3,542; 3,955
1035	(2277)	4,450

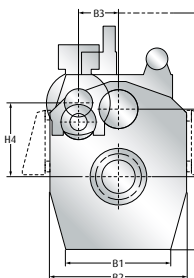
# Pleasure Duty

## WAF/LAF 563 – 572 HS (Hybrid System)



Product brochure

- Special ratio available on request
- RHS > 630 ekW available on request



### Main Dimensions\* mm (Vertically offset configuration)

Model	B1	B2	B3	D1	D2	H1	H2
<b>WAF 563 HS</b>	570	920	238	75	350	475	410
<b>WAF 572 HS</b>	690	1080	242	75	375	575	505

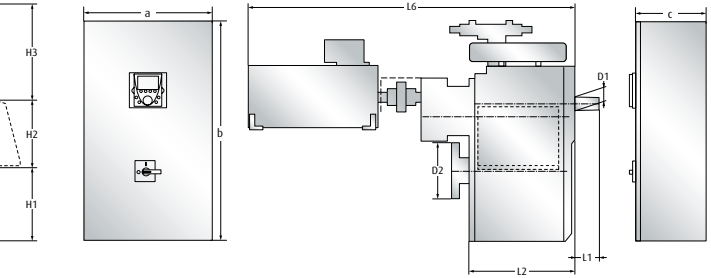
Weights include gearbox and electric motor.

\*Dimensions L4, H6, H7 depending on electric motor size. Frequency converter dimensions on page 246/247.

**P**

kW/rpm	BHP	(KW)	BHP	(KW)	BHP	(KW)
<b>WAF 563</b>	1900 rpm		2100 rpm		2300 rpm	
0,64	1629	(1216)	1801	(1344)	1972	(1472)
<b>WAF 572</b>	1900 rpm		2100 rpm		2300 rpm	
0,64	1629	(1216)	1801	(1344)	1972	(1472)

Weights exclude electric motor. Dry weight including all accessories.



H3 max.	H4	L1	L2	L4		Weight (kg)	
				60 kWe	100 kWe	60 kWe	100 kWe
700	434	97	822	1748	1968	1850	1970
590	543	97	836	1748	1968	2350	2470

**WEIGHT**

**REDUCTION RATIOS**

kg (lbs)

1445 (3179) 5,050; 5,421; 5,947

2360 (5192) 6,417; 7,091; 7,474

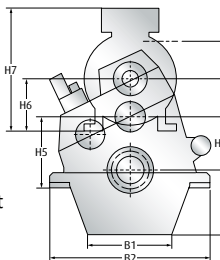
# Pleasure Duty

## WVS/WLS 730 – 930 HS (Hybrid System)



Product brochure

- Special ratio available on request
- Further sizes on request
- RHS > 630 ekW available on request



### Main Dimensions\* mm (Vertically offset configuration)

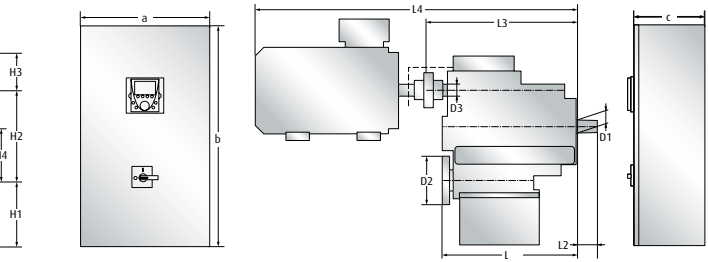
Model	B1	B2	D1	D2	D3	H1
<b>WVS 730 HS</b>	650	1036	92	260	80	373
<b>WVS 930 HS</b>	750	1166	102	280	100	398

\*Dimensions L4, H6, H7 depending on electric motor size. Frequency converter dimensions on page 246/247.

**P**

kW/rpm	BHP	(KW)	BHP	(KW)	BHP	(KW)
<b>WVS 730/1</b>	1900 rpm		2100 rpm		2300 rpm	
0,95	2419	(1805)	2673	(1995)	2928	(2185)
0,60	1528	(1140)	1688	(1260)	1849	(1380)
<b>WVS 930/1</b>	1900 rpm		2100 rpm		2300 rpm	
1,34	3412	(2546)	3771	(2814)	4130	(3082)
1,22	3106	(2318)	3433	(2562)	3760	(2806)
0,83	2113	(1577)	2336	(1743)	2558	(1909)

Weights exclude electric motor. Dry weight including all accessories.



H2	H3	H4	H5	L1	L2	L3
560	250	310	340	110	893	1075
620	250	340	385	120	961	1152

### WEIGHT

kg (lbs)

### REDUCTION RATIOS

725 (1595) 1,538; 2,036; 2,542; 3,048

725 (1595) 3,954

950 (2090) 1,525; 2,032; 2,482

950 (2090) 3,044

950 (2090) 3,954

# REINTJES Hybrid Systems

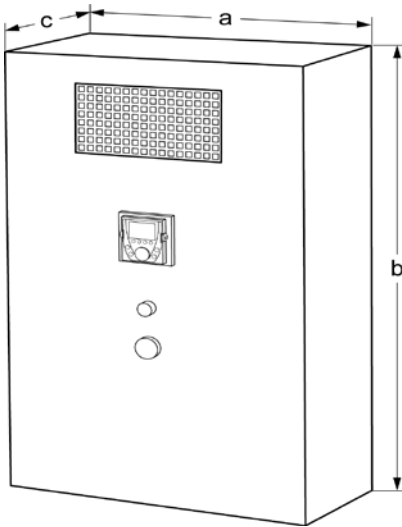
## Control Cabinet incl. Frequency Converter

Dimensions and weight of the control cabinet

### For PTI or PTI+BOOST Operation

Rated power*	Dimensions control cabinet			
Model kWe	Width (a) (mm)	Height (b) (mm)	Depth (c) (mm)	Weight (kg)
<b>60</b>	400	1200	500	130
<b>100</b>	400	1600	500	180
<b>200</b>	600	2000	600	300
<b>315</b>	800	2000	600	380
<b>400</b>	1000	2000	600	530
<b>500</b>	1000	2000	600	550
<b>630</b>	1200	2000	600	700





## For PTI or PTI+Boost or PTI/PTO or PTI/PTO+Boost

Rated power*	Dimensions control cabinet			
Model kWe	Width (a) (mm)	Height (b) (mm)	Depth (c) (mm)	Weight (kg)
<b>60</b>	800	1400	500	300
<b>100</b>	800	1600	600	400
<b>200</b>	1200	2000	600	800
<b>315</b>	1600	2000	600	1000
<b>400</b>	2000	2000	600	1250
<b>500</b>	2800	2000	600	1500
<b>630</b>	3200	2000	600	1800

\* Further sizes on request.

For further information regarding the technical data of the frequency converter and control cabinet, please refer to the company standard RN\_1569-1.

# Pleasure Duty

## RPDF 3000 – 5000 (FORTJES®)



Product brochure

- Special ratio available on request
- REINTJES gearbox type FORTJES® RPD 1000 – 7000 on request
- Non-steerable pod with counter-rotating propellers and integrated reverse reduction gearbox with hydraulically operated clutches

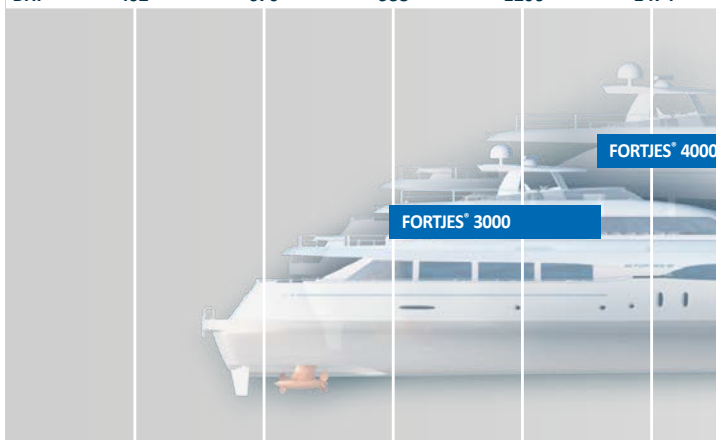
### Main Dimensions mm (Vertically offset configuration)

Model	L	B	D1	D2
<b>RPDF 1000</b>	1420	480	620	540
<b>RPDF 2000</b>	1490	495	696	608
<b>RPDF 3000</b>	1760	560	800	695
<b>RPDF 4000</b>	1925	600	920	850
<b>RPDF 5000</b>	2045	640	1070	930

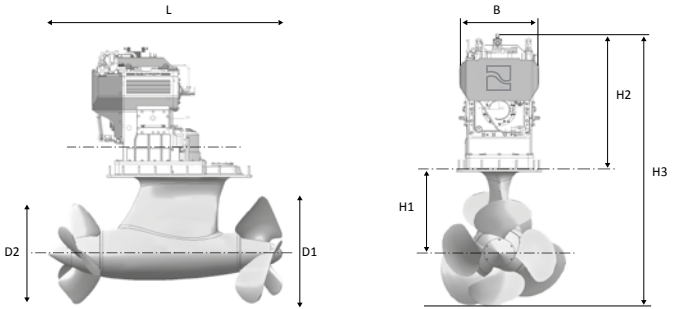
1) Under consideration of buoyancy. Dry weight including all accessories.

## Engine Power

kW	300	500	700	900	1100
<b>BHP</b>	<b>402</b>	<b>670</b>	<b>938</b>	<b>1206</b>	<b>1474</b>

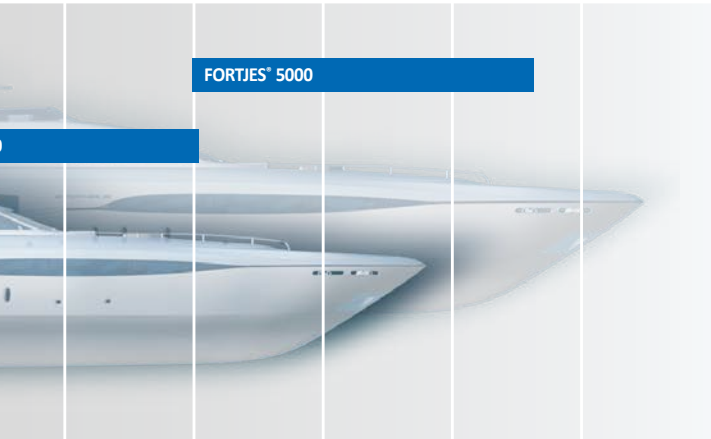


Feet/Metre 50/15



H1	H2	H3	Weight <sup>1</sup> (kg)
428	830	1580	750
455	720	1534	1210
540	980	1920	1500
620	1070	2115	1850
715	1200	2540	2350

1300	1500	1700	1900	2100
1742	2010	2278	2546	2814



# Light Duty

## RPDF 3000 – 5000 (FORTJES®)



Product brochure

- Special ratio available on request
- REINTJES gearbox type FORTJES® RPD 1000 – 7000 on request
- Non-steerable pod with counter-rotating propellers and integrated reverse reduction gearbox with hydraulically operated clutches

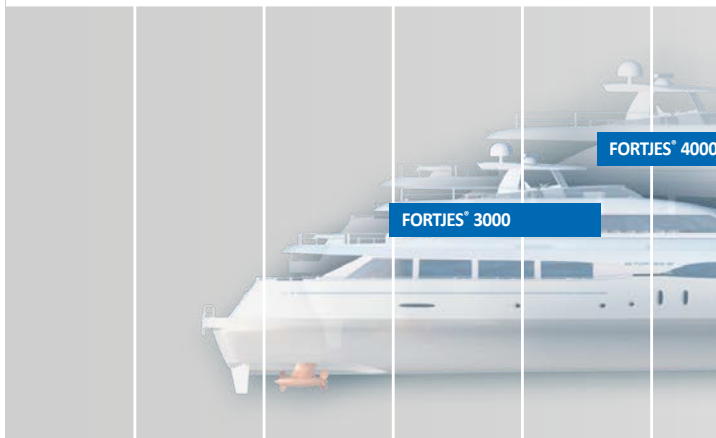
### Main Dimensions mm (Vertically offset configuration)

Model	L	B	D1	D2
<b>RPDF 3000</b>	1760	560	800	695
<b>RPDF 4000</b>	1925	600	920	850
<b>RPDF 5000</b>	2045	640	1070	930

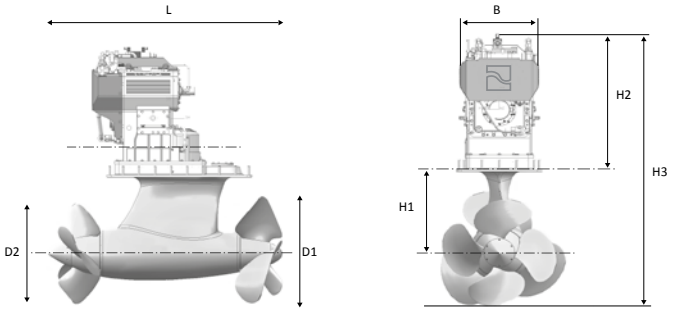
1) Under consideration of buoyancy. Dry weight including all accessories.

## Engine Power

kW	300	500	700	900	1100
<b>BHP</b>	<b>402</b>	<b>670</b>	<b>938</b>	<b>1206</b>	<b>1474</b>

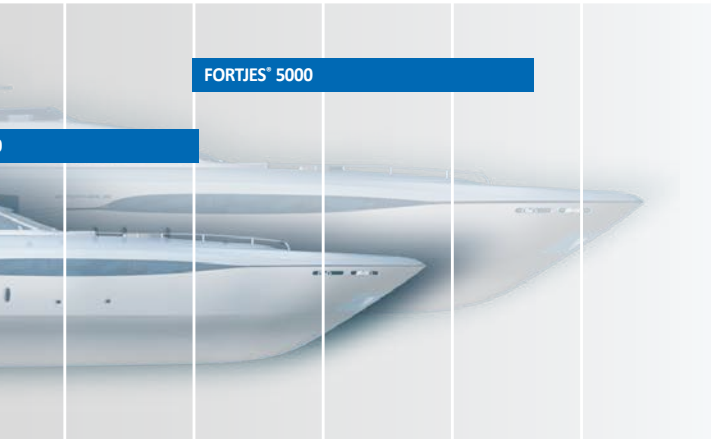


Feet/Metre 50/15



H1	H2	H3	Weight <sup>1</sup> (kg)
540	980	1920	1500
620	1070	2115	1850
715	1200	2540	2350

1300	1500	1700	1900	2100
1742	2010	2278	2546	2814



# Medium Duty

## RPDF 3000 – 5000 (FORTJES®)



Product brochure

- Special ratio available on request
- REINTJES gearbox type FORTJES® RPD 1000 – 7000 on request
- Non-steerable pod with counter-rotating propellers and integrated reverse reduction gearbox with hydraulically operated clutches

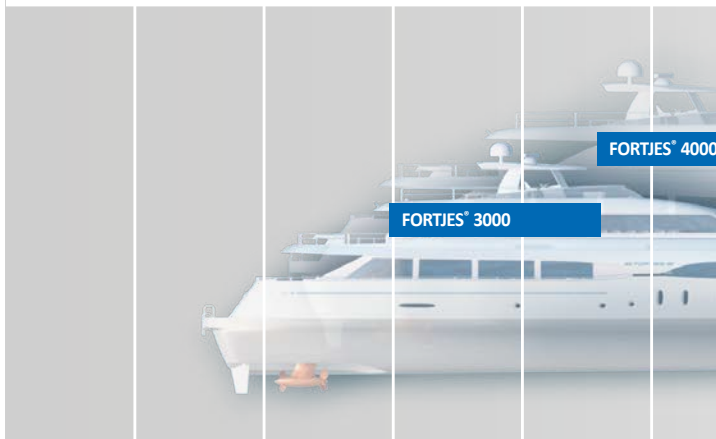
### Main Dimensions mm (Vertically offset configuration)

Model	L	B	D1	D2
<b>RPDF 3000</b>	1760	560	800	695
<b>RPDF 4000</b>	1925	600	920	850
<b>RPDF 5000</b>	2045	640	1070	930

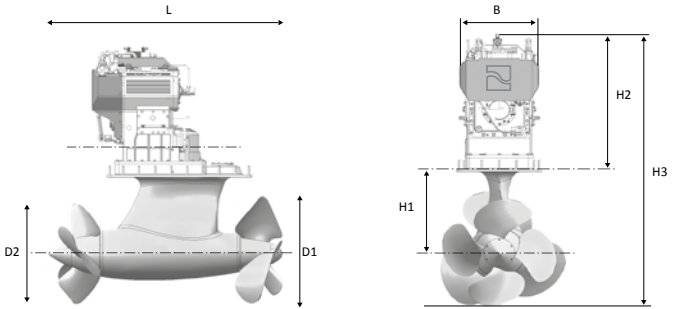
1) Under consideration of buoyancy. Dry weight including all accessories.

## Engine Power

kW	300	500	700	900	1100
<b>BHP</b>	<b>402</b>	<b>670</b>	<b>938</b>	<b>1206</b>	<b>1474</b>

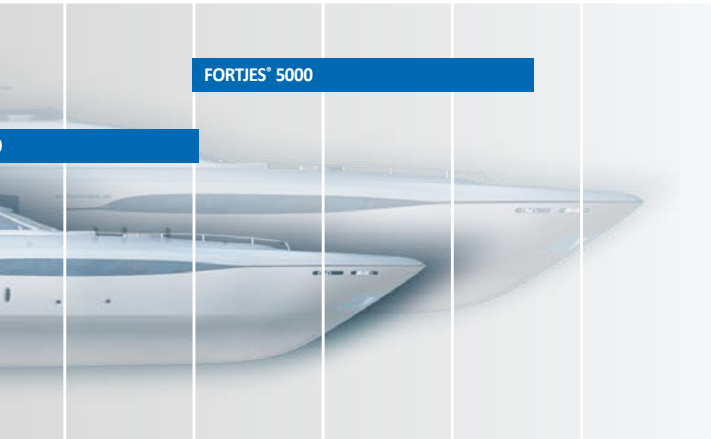


Feet/Metre 50/15



H1	H2	H3	Weight <sup>1</sup> (kg)
540	980	1920	1500
620	1070	2115	1850
715	1200	2540	2350

1300	1500	1700	1900	2100
1742	2010	2278	2546	2814



# Navy Applications

## A LAF Gear with Naval Features\* (Example)

\*Available on request for other gears

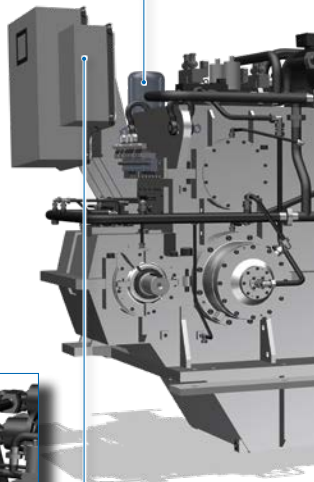
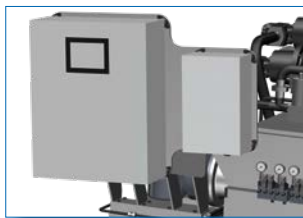


Double Helical Toothing

### Turn Drive

The turn drive allows turning the propeller shaft even when the main engine is standing still, e.g. for maintenance work.

- Operation with a control panel and with a remote control
- Current status can be monitored and visualised with the LOP



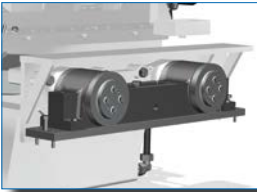
### Local Operating Panel (LOP)

The LOP can be used for various purposes including:

- Control of the clutch(es)
- Control of electric oil pumps
- Monitoring alarms, operating conditions, and values such as pressure, speed etc.
- Operation of special equipment such as turn drive, shaft locking device, and oil pre-heater

The LOP control cabinet comes with a TFT display with a customised menu structure.





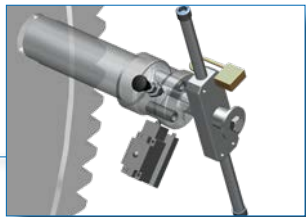
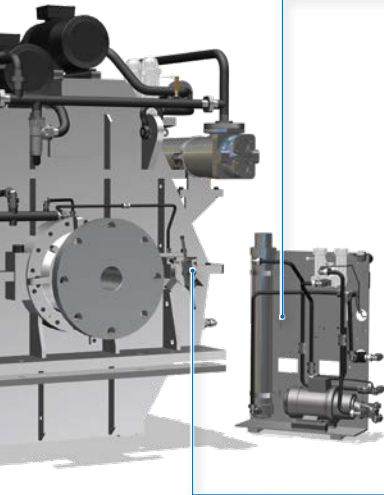
### Resilient Mounting of Gearbox and Accessories



### Oil Pre-Heater

The oil pre-heater heats up the oil to a temperature of  $> 25\text{ }^{\circ}\text{C}$ .

- Manual and automatic operation are both possible
- Current status can be monitored and visualised with the LOP



### De-Humidifier

Drying of incoming air

- Oil level in gear decrease
- Moist air will be sucked in
- Valves opens at 5 mbar
- Incoming air will be dried
- Silica gel changes color from orange to green
- Incoming air will be cleaned

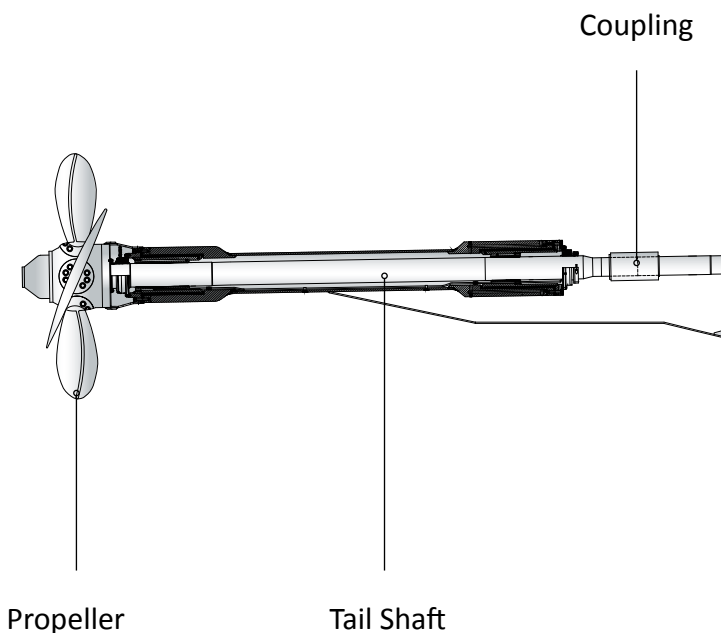
### Shaft Locking Device

With the shaft locking device the propeller shaft can be mechanically locked and therefore be secured in its position.

- Spring-loaded
- Easy-to-operate
- Current status can be monitored and visualised with the LOP

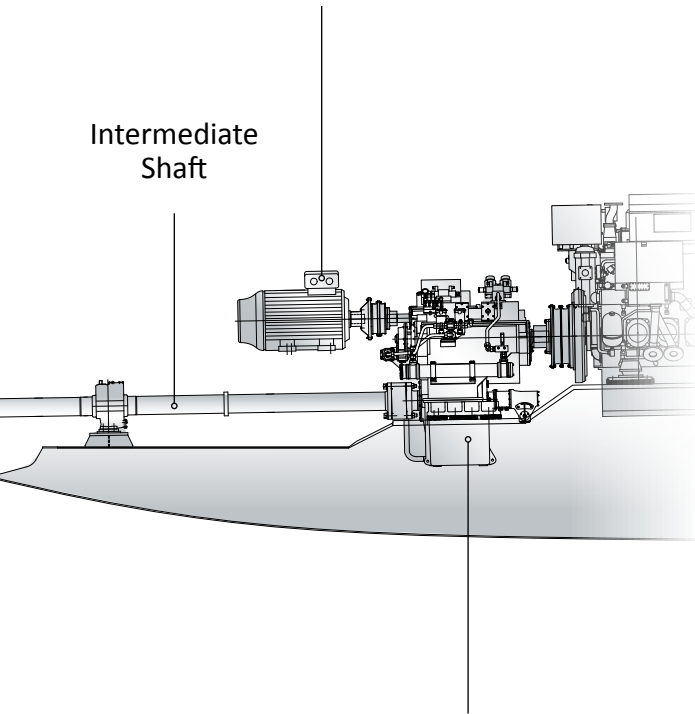
# Marine Packages

## Marine Packages based on REINTJES Gearboxes



## PTI/Motor/Frequency Converter

Intermediate  
Shaft



Gearbox  
incl. Monitoring  
and Control System



REINTJES GmbH  
Eugen-Reintjes-Straße 7  
31785 Hameln  
Germany  
Phone +49 5151 104-0  
Fax +49 5151 104-300  
E-mail [info@reintjes-gears.de](mailto:info@reintjes-gears.de)  
[www.reintjes-gears.de](http://www.reintjes-gears.de)



**Service Hotline: + 49 51 51/104-237**