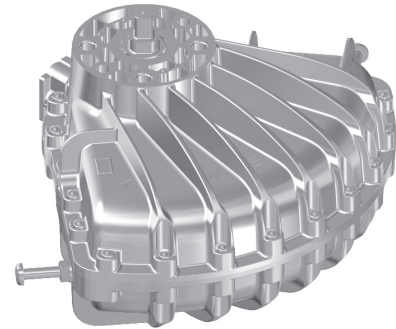


KINETROL-actuator Model 14A-100 / 143-100

Model 143-100 without NAMUR-adapter plate

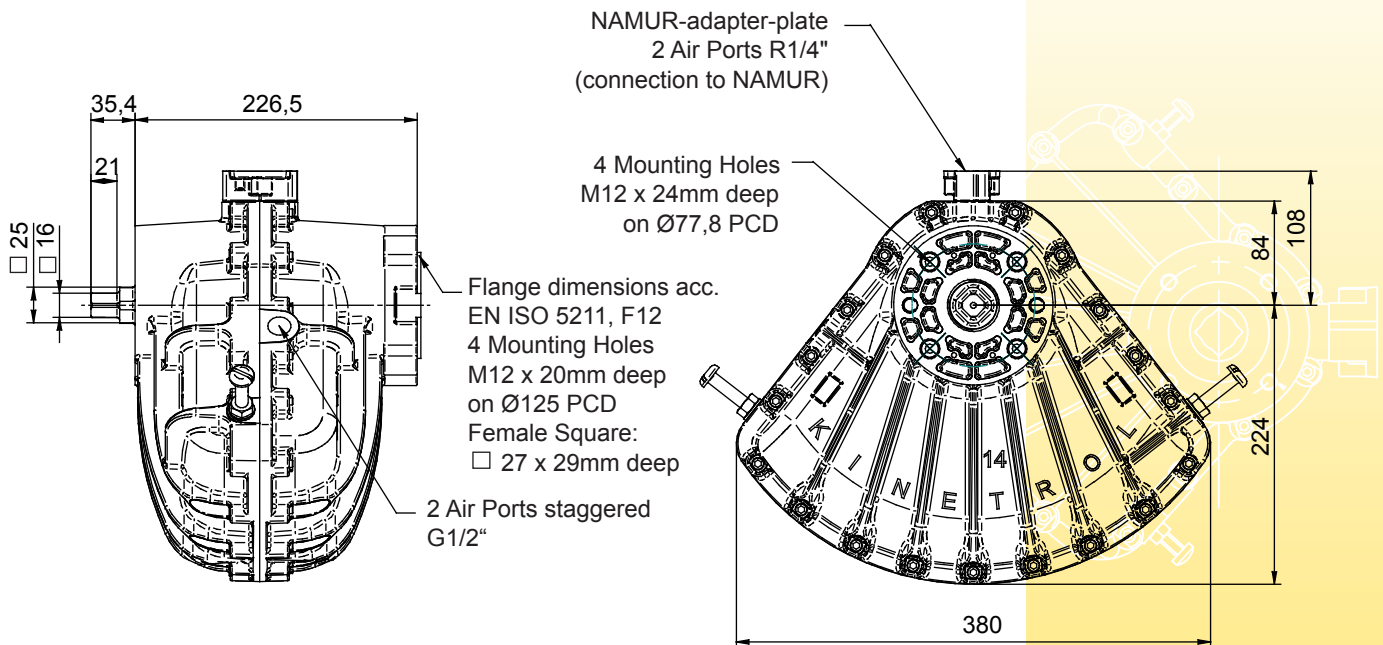
DIN-device
double acting



KINETROL-actuator
Model 14A-100 / 143-100

Specifications

Angle of Travel	80° to 100°
Working Temperature Range	-20°C to +80°C (with VITON-option up to +100°C)
max. Working Pressure	7bar
max. Overload Pressure	10bar
max. Output Torque	1375Nm (bei 7bar)
Quality of Air	max. Output Torque □ 16 = 300Nm
Displaced Volume	clean and dry (quality class 4.5.5 acc. to ISO 857)
Weight	3294cm ³
Finish	15,6kg
	Epoxy Stove Enamel



Options

- Spring Return Unit
available for clockwise (Code F120) or counter clockwise (Code F130)
- Solenoid Valve acc. to NAMUR
- Limit Switch Unit (mounted with spare part SP1608)
- AP-Positioner (mounted with spare part SP1609)
- EL-Positioner (mounted with spare part SP1609)
- P3-Positioner (mounted with spare part SP1609)
- Position Indicator / Monitor (mounted with spare part SP1608)

Standard Stroke Adjustment = 90°
recommended seal kit SP047, consisting of:
2 vane seals, 2 expander, 2 shaft seals and sealants

