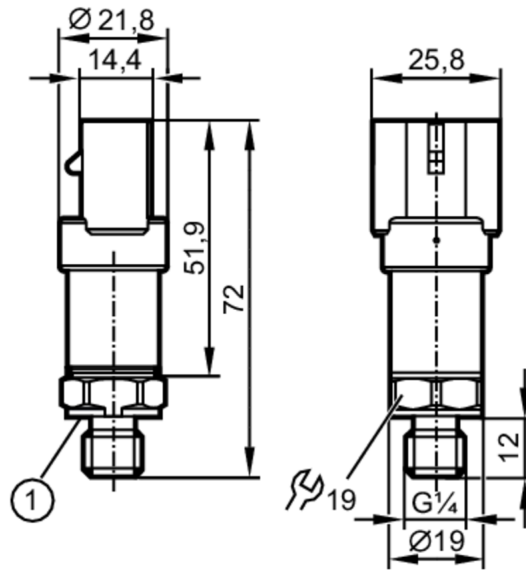


# PT5660



## Pressure transmitter

PT-600-SEG14-A-ZVG/AM



1 sealing



### Product characteristics

Number of inputs and outputs	Number of analog outputs: 1		
Measuring range	0...600 bar	0...8700 psi	0...60 MPa
Process connection	threaded connection G 1/4 external thread (DIN EN ISO 1179-2)		

### Application

Application	for mobile applications		
Media	liquids and gases		
Medium temperature [°C]	-40...125		
Min. bursting pressure	2500 bar	36255 psi	250 MPa
Pressure rating	1500 bar	21755 psi	150 Mpa
Note on pressure rating	static		
Vacuum resistance [mbar]	-1000		
Type of pressure	relative pressure		

### Electrical data

Operating voltage [V]	8...32 DC		
Min. insulation resistance [MΩ]	100; (500 V DC)		
Protection class	III		
Reverse polarity protection	yes		
Power-on delay time [s]	< 0.1		

### Inputs / outputs

Number of inputs and outputs	Number of analog outputs: 1		
------------------------------	-----------------------------	--	--

# PT5660



## Pressure transmitter

PT-600-SEG14-A-ZVG/AM

Outputs			
Total number of outputs	1		
Output signal	analog signal		
Number of analog outputs	1		
Analog current output [mA]	4...20		
Max. load [ $\Omega$ ]	(U <sub>b</sub> - 8 V) / 21,5 mA; @8V = 0 $\Omega$ ; @12V max. 200 $\Omega$ ; @24V max. 750 $\Omega$		
Short-circuit proof	yes		
Overload protection	yes		
Measuring/setting range			
Measuring range	0...600 bar	0...8700 psi	0...60 MPa
Accuracy / deviations			
Repeatability [% of the span]	< $\pm$ 0,05; (with temperature fluctuations < 10 K)		
Characteristics deviation [% of the span]	< $\pm$ 0,8; (incl. drift when overtightened, zero point and span error, non-linearity, hysteresis)		
Linearity deviation [% of the span]	< $\pm$ 0,25 (BFSL) / < $\pm$ 0,5 (LS)		
Hysteresis deviation [% of the span]	< $\pm$ 0,2		
Long-term stability [% of the span]	< $\pm$ 0,1; (per 6 months)		
Temperature coefficient zero point [% of the span / 10 K]	< $\pm$ 0,1 (0...80 °C); < $\pm$ 0,2 (-40...0 °C / 80...125 °C)		
Temperature coefficient span [% of the span / 10 K]	< $\pm$ 0,1 (0...80 °C); < $\pm$ 0,2 (-40...0 °C / 80...125 °C)		
Reaction times			
Step response time analog output [ms]	2		
Operating conditions			
Ambient temperature [°C]	-40...100		
Storage temperature [°C]	-40...100		
Protection	IP 67; IP 69K		
Tests / approvals			
EMC	compliant with UN ECE R10, rev. 5	(E1 compliant)	
	ISO 11452-2	100 V/m	
	DIN EN 61326-1		
Shock resistance	DIN EN 60068-2-27	500 g (1 ms)	
Vibration resistance	DIN EN 60068-2-6	20 g (10...2000 Hz)	
MTTF [years]	700		
Pressure equipment directive	Modul A; can be used for group 2 fluids; group 1 fluids on request		

# PT5660



## Pressure transmitter

PT-600-SEG14-A-ZVG/AM

Mechanical data	
Weight [g]	64
Material	1.4542 (17-4 PH / 630); stainless steel (1.4404 / 316L); PPS
Materials (wetted parts)	1.4542 (17-4 PH / 630)
Min. pressure cycles	60 million; (at 1.2 times nominal pressure)
Tightening torque [Nm]	30...50; (recommended tightening torque; Depends on lubrication, seal and pressure rating)
Process connection	threaded connection G 1/4 external thread (DIN EN ISO 1179-2)
Process connection sealing	HNBR (DIN EN ISO 1179-2)
Restrictor element integrated	yes

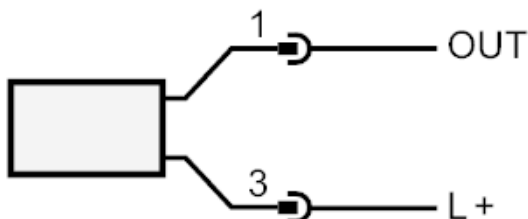
Remarks	
Remarks	BFSL = Best Fit Straight Line LS = limit value setting
Pack quantity	1 pcs.

### Electrical connection

Connector: 1 x AMP-Superseal



### Connection



OUT analog output

# PT5660

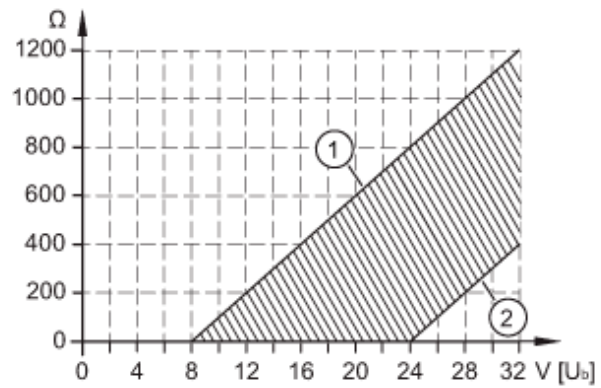


## Pressure transmitter

PT-600-SEG14-A-ZVG/AM

### Diagrams and graphs

Characteristic load curve current output



1: Max. load

2: Min. load