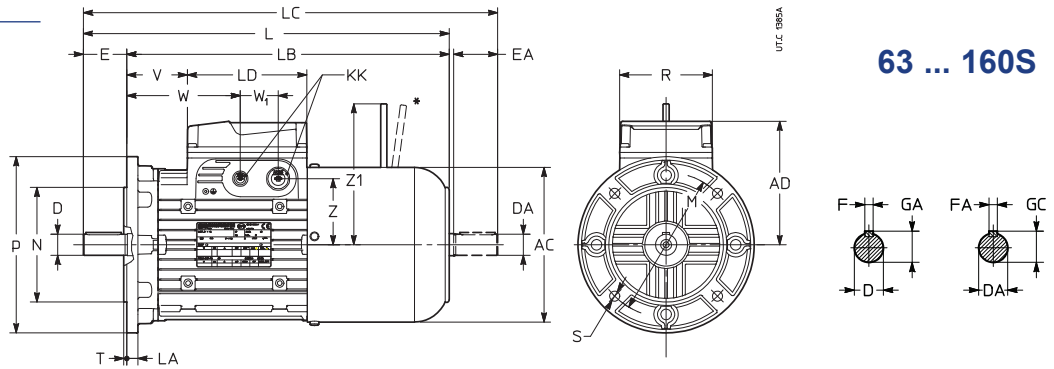


4.8

Motor dimensions

Mounting position
IM B5, IM B5R, IM B5...



* On request

Motor size	AC	AD	L	LB	LC	LD	KK	R	V	W	W ₁	Z	Z ₁	Shaft end				Flange									
														D DA	1) E EA	F FA	GA GC	M	N	P	LA	S	T				
63	B5R B5A B5 BX1	123	95	281 284 267	261 312 244	306 312 295	103	4×M16	86	46	86	36	45	96	9	j6	M3	20	3	10,2	100	80	j6	120	8	7	3
															11	j6	M4	23	4	12,5	115	95	j6	140	10	9	3
															11 ³⁾	j6	M4	23 ³⁾			130	110	j6	160			3,5
71	B5B B5R B5A B5 BX2 BX5 BX1	138	112	320 327 308 301 308	297 363 278 344 330 344	349	2×M16 + 2×M20	66	106			62	103	11	j6	M4	23			100	80	j6	120	8	7	3	
															14	j6	M5	30	5	16	115	95	j6	140	10	9	
															11 ³⁾	j6	M4	23 ³⁾	4	12,5	130	110	j6	160			3,5
															14 ³⁾	j6	M5	30 ³⁾	5	16	165	130	j6	200	12	11	
80	B5B B5R B5A B5 BX2	156	121	353 363 342 332	323 410 302 365	390		80	120			71	129	14	j6	M5	30			115	95	j6	140	10	9	3	
															19	j6	M6	40	6	21,5	130	110	j6	160			3,5
															14 ³⁾	j6	M5	30 ³⁾	5	16	165	130	j6	200	12	11	
90 S⁵⁾	B5S B5B B5R B5	176	141	387 397 376 386	357 444 336 443	424	2×M16 + 2×M25	106	60	120	43	75		14	j6	M5	30			130	110	j6	160	10	9		
															19	j6	M6	40	6	21,5	165	130	j6	200	12	11	
90 L	B5S B5B B5R B5			417 427 406 416	387 474 366 473	454		90	150			160 ⁴⁾		14	j6	M5	30	5	16	130	110	j6	160	10	9		
															19	j6	M6	40	6	21,5	165	130	j6	200	12	11	
															24	j6	M8	50	8	27							
100	B5C B5S B5R B5A B5	194	151	472 482 492 465	432 540 560 405	520		109	169			86		19	j6	M6	40	6	21,5	130	110	j6	160	10	9		
															24	j6	M8	50	8	27	165	130	j6	200	12	11	
															28	j6	M10	60		31	215	180	j6	250	14	14	4
112	B5S B5R B5A B5	218	163	501 511 521 495	461 570 590 435	550		82	142			98	198 ⁴⁾	19	j6	M6	40	6	21,5	130	110	j6	160	10	9		
															24	j6	M8	50	8	27	165	130	j6	200	12	11	3,5
															28	j6	M10	60		31	215	180	j6	250	14	14	4
132 S, M⁶⁾	B5S B5B B5R B5A B5	257	194	578 588 608 573	528 657 697 493	637	2×M16 + 2×M32	148	113	201	55	109	203 ⁴⁾	24	j6	M8	50		27	165	130	j6	200	12	11	3,5	
															28	j6	M10	60		31	215	180	j6	250	14	14	4
															38	k6	M12	80	10	41	265	230	j6	300			
132 MA⁸⁾... MCB5S	B5B B5R B5A B5			638 648 668 633	588 717 757 553	697		173	261			226 ⁴⁾		24	j6	M8	50	8	27	165	130	j6	200	12	11	3,5	
															28	j6	M10	60		31	215	180	j6	250	14	14	4
															38	k6	M12	80	10	41	265	230	j6	300			
160 S	B5			682	572	771		157	245					42	k6	M16 ⁷⁾	110 ⁷⁾	12 ⁷⁾	45 ⁷⁾	300	250	h6	350	15	18	5	

- 1) Tapped butt-end hole.
- 2) Prearranged for cable entry knockout openings on both sides (two openings on each side).
- 3) Shaft end not according to standard.
- 4) Dimension valid for motor-brake pairing: 90-BZ05, 112-BZ06S, 132-BZ56 and 160-BZ07; with brake of smaller size see Z₁ of smaller motor size.
- 5) For motor HB3Z 90S2 e HB3Z 90S 4 dimensions are the ones as size 90L.
- 6) For motor HB3Z 132SB 2, HB3Z 132SC 2, HB3Z 132S 4, HB3Z 132M 4 and HB3Z 132M 6 dimensions are the ones as size 132 MA ... MC.
- 7) Second shaft end dimensions as size 132.
- 8) For motor HBZ 132MA 2 dimensions are the ones of size 132S, M.