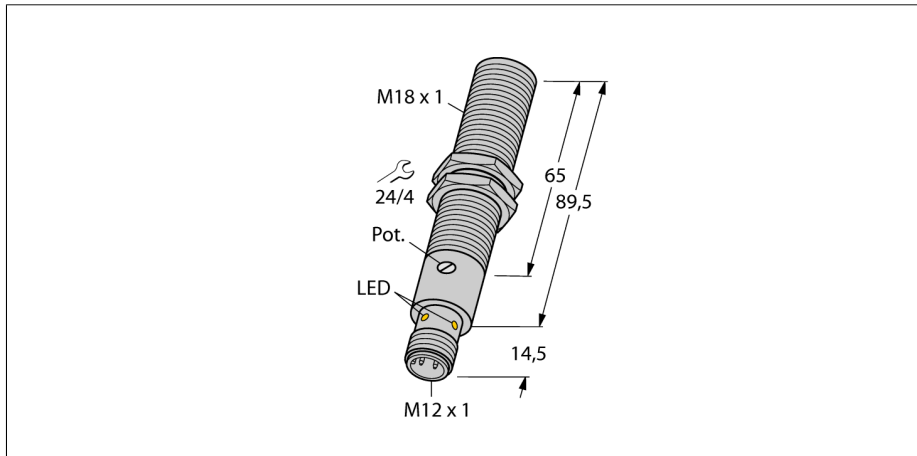
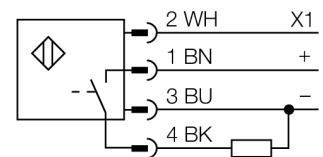


ultrasonic sensor
diffuse mode sensor
RU100-M18-AP8X-H1141



- Upper switching value adjustable via potentiometer
- Synchronization with additional sensors via X1 line
- Male connector M12 x 1
- Further parameters adjustable via programming device RU-PDI
- Opening angle of sonic cone 6°

Wiring diagram



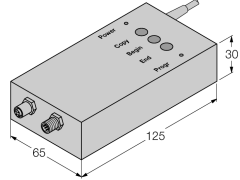
Functional principle

Ultrasonic sensors use ultrasonic waves for non-contact and wear-free detection of many objects. Regardless of whether the object is transparent or opaque, metallic or non-metallic, or of liquid, solid or powdery consistency. Even environmental conditions such as spray, dust or rain hardly affect their function.

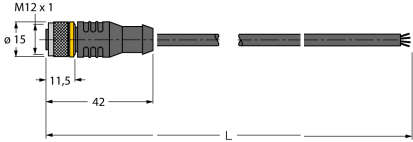
Type code	RU100-M18-AP8X-H1141
Ident no.	1810200
Design	cylindrical/threaded, M18
Dimensions	Ø18x 104 mm
Housing material	Metal, CuZn, nickel-plated
Connection	male, M12 x 1
Protection class	IP67
Ambient temperature	-25...+70 °C
Switching state	•
Operating voltage	20...30VDC
DC rated operational current	≤ 150 mA
No-load current I ₀	≤ 50 mA
Output function	NO contact, PNP
Switching frequency	4 Hz
Hysteresis	≤ 10 mm
Voltage drop at I ₀	≤ 3 V
Short-circuit protection	yes/ cyclic
Reverse polarity protection	complete
Wire breakage protection	yes
Range	15...100 cm
Ultrasound frequency	230 kHz
Repeatability	≥ ± 2 mm
Edge lengths of the nominal actuator	20 mm
Approach speed	≤ 8 m/s
Pass speed	≤ 1.5 m/s

**ultrasonic sensor
diffuse mode sensor
RU100-M18-AP8X-H1141**

Accessories

Type code	Ident no.	Description	Dimension drawing
RU-PDI	1890000	programming device for configuration of ultrasonic sensor types RU...-M18 and RUC...-M30	

Wiring accessories

Type code	Ident no.	Description	Dimension drawing
RKC4.4T-2/TEL	6625013	Connection cable, female M12, straight, 4-pin, cable length: 2 m, sheath material: PVC, black; cULus approval; other cable lengths and qualities available, see www.turck.com	
WKC4.4T-2/TEL	6625025	Connection cable, female M12, angled, 4-pin, cable length: 2 m, sheath material: PVC, black; cULus approval; other cable lengths and qualities available, see www.turck.com	