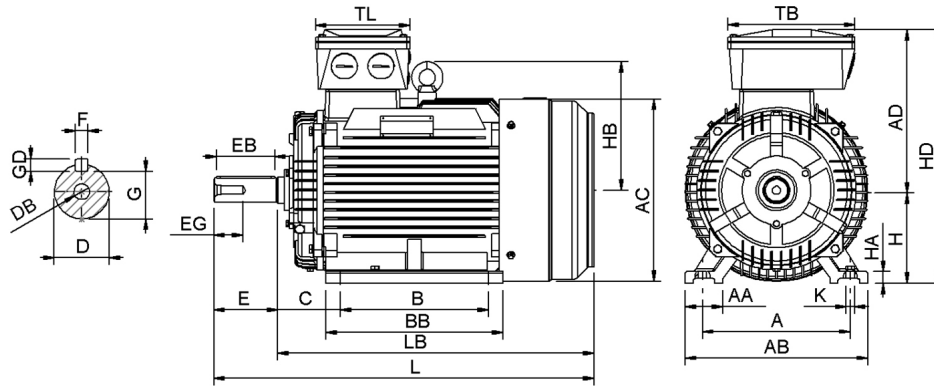


Data Sheet

Itemnumber....: 5542251100



A = 356	AC = 445	BB = 393	DB = M20	EG = 56	GD = 11	HB = 285	L = 848	TL = 192
AA = 75	AD = 336	C = 149	E = 140	F = 18	H = 225	HD = 561	LB = 708	
AB = 431	B = 311	D = 60	EB = 130	G = 53	HA = 28	K = 18,50	TB = 260	

Version

Type.....: HMC3 225M-4
 Design.....: Induction motor
 Standard series.....: IEC 60034
 Phase / Voltage range.....: 3~ / Low

Electrical design

Efficiency.....: IE3
 Pole.....: 4
 Power at 50 Hz (kW).....: 45,0
 Hz.....: 50
 Voltage.....: 400VD/690VY
 Winding voltage.....: 400VD/690VY 50 Hz
 Power output (kW).....: 45,0
 Duty.....: S1
 Insulation class.....: F
 Temperature rise.....: B

Mechanical design

Frame size.....: 225
 Mounting.....: B3
 Rain cap.....: No
 Protection class.....: IP55
 Cooling method.....: IC411/TEFC
 External grounding.....: Yes
 Drain hole.....: Yes
 Frame material.....: Cast Iron
 Material approval.....: None
 Shaft.....: IEC standard
 Key.....: Closed key
 Balancing.....: Half key balancing
 Vibration class.....: Grade-A
 Weight (kg).....: 343

Bearing

DE Bearing.....: 6313/C3
 NDE Bearing.....: 6312/C3
 Fixed bearing.....: DE

Terminal box

Tbox position.....: Top
 Cable entry direction.....: Right (from DE)
 Cable entry
 Main.....: 2 x M50x1,5
 Plastic blindcaps
 Accessory.....: 2 x M20x1,5
 Plastic blindcaps
 Terminal board thread.....: 6-M8

Environment condition

Ambient temp. min. (°C)..: -20
 Ambient temp. max. (°C)..: 40
 Altitude (mtr up to).....: 1000

Test values

Rotor inertia (kgm²).....: 0,69
 Noise level (dB(A)).....: 77
 No load current (A).....: 24,2
 Winding resist. (ohm).....: 0,13
 Starting time (sec.).....: 0,17
 Temp. rise winding (K).....: 63
 Temp. rise surface (K).....: 47

Motor protection

Thermal protection main.....: PTC 3x 155 dgr
 Thermal protection second..: None
 Space heater.....: None
 Temperature detector.....: No
 SPM.....: No
 IR wire.....: No
 Tropical insulation.....: No

Explosion protection

According to.....: None
 Type of protection.....: None

General

Direction of rotation.....: CW
 Painting.....: RAL 9005
 Nameplate.....: Multivoltage
 Special packing.....: No
 Special requirements.....: No

Rated power (kW)	45,0	43,5	54,0	52,5
Frequency (Hz)	50	50	60	60
Voltage (V)	400 690	380 660	480 830	440
Connection	D Y	D Y	D Y	D
Full load current (A)	77,5 45,0	79,5 46,0	77,5 45,0	79,5
Speed (rpm)	1480	1480	1770	1770
Power factor cos(phi)	0,88	0,89	0,88	0,89
Efficiency, 100/75/50 (%)	94,2/ 94,7 /93,5	94,2/ 94,7 /93,5	94,2/ 94,7 /93,5	93,8/ 94,3 /93,1
Ist/In	7,50	6,60	7,50	6,90
Full load torque (Nm)	290	280	290	280
Tst/Tn	2,60	2,42	2,60	2,26
Tmax/Tn	2,85	2,65	2,85	2,46
Duty	S1	S1	S1	S1
Ambient temp. (°C)	40	45	40	45