

Receiver

 Society
 Reference
 Address
 Phone
 Fax
 E-mail

Item n° :

102640020

Model :

JETINOX 82 M

Pump data

 Pressure rating : 8 bar (800 kPa)
 Min. fluid temperature : 0 °C
 Max. fluid temperature : 35 °C
 Max. Ambient temperature : 40 °C

Priming capacity :

H m	2	3	4	5	6	7	8	9
Q m³/h	3,0	2,7	2,4	2,2	1,9	1,7	1,3	1,0

Requested data

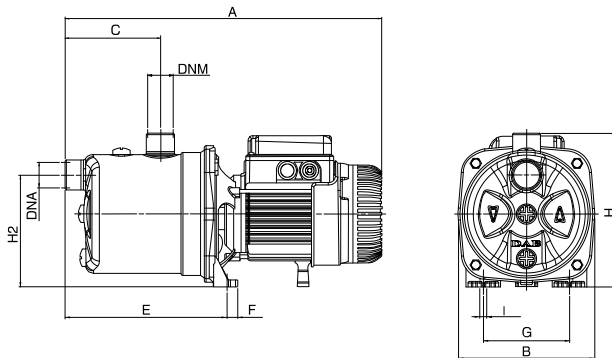
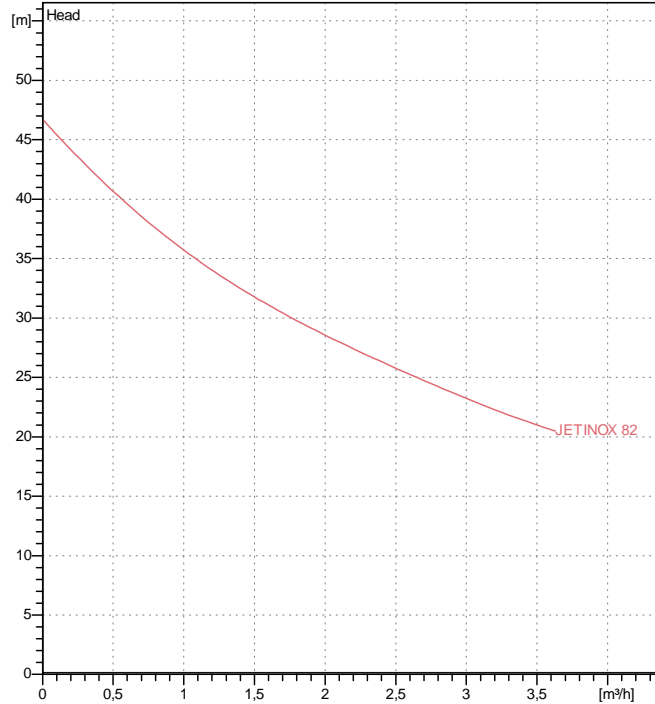
 Flow : 0,00 m³/h
 Head : 0,00 m
 Fluid : Water
 Fluid Temperature : 20 °C
 Density : 0,99819 kg/dm³
 Kinematic viscosity : 1,0004 mm²/s
 Vapor pressure : 2,20 kPa

Hydraulic data (duty point)

 Flow :
 Head :

Materials

Pump body	AISI 304 X5 Cr Ni 1810 UNI 6900/71
Disc seal	AISI 304 X5 Cr Ni 1810 UNI 6900/71
Impeller	Technopoly mer A
Mechanical seal	Carbon/Ceramic
OR ring	NBR Rubber
Shaft with rotor	AISI 416 X12 CrS 13 UNI 6900/71
Nozzle venturi dif fuser assembly	Technopoly mer A

Curve tolerance according to ISO 9906

Motor data

 Motor brand : DAB
 Nominal power P2 : 0,6 kW
 Rated speed : 2750 1/min
 Rated voltage : 1~ 220-240 V 50 Hz
 Nominal current : 3,8 A
 Degree of protection : IP 44

Dimensions in
mm

A	406	DNM	1"G	H	197		
B	174	E	207	H2	144		
C	122	F	14	IO	9		
DNA	1"G	G	111				

Weight : 8,25 kg

Pump connection

 Suction side : 1 " G / 8 bar (800 kPa)
 Discharge side : 1 " G / 8 bar (800 kPa)



WATER • TECHNOLOGY

PERFORMANCE CURVES

2017-02-07

Page 2 / 3

DAB PUMPS S.p.A.
Via Marco Polo, 14 - 35035 Mestrino (PD), Italy
Tel. +39 049 5125000 - Fax +39 049 5125950
www.dabpumps.com

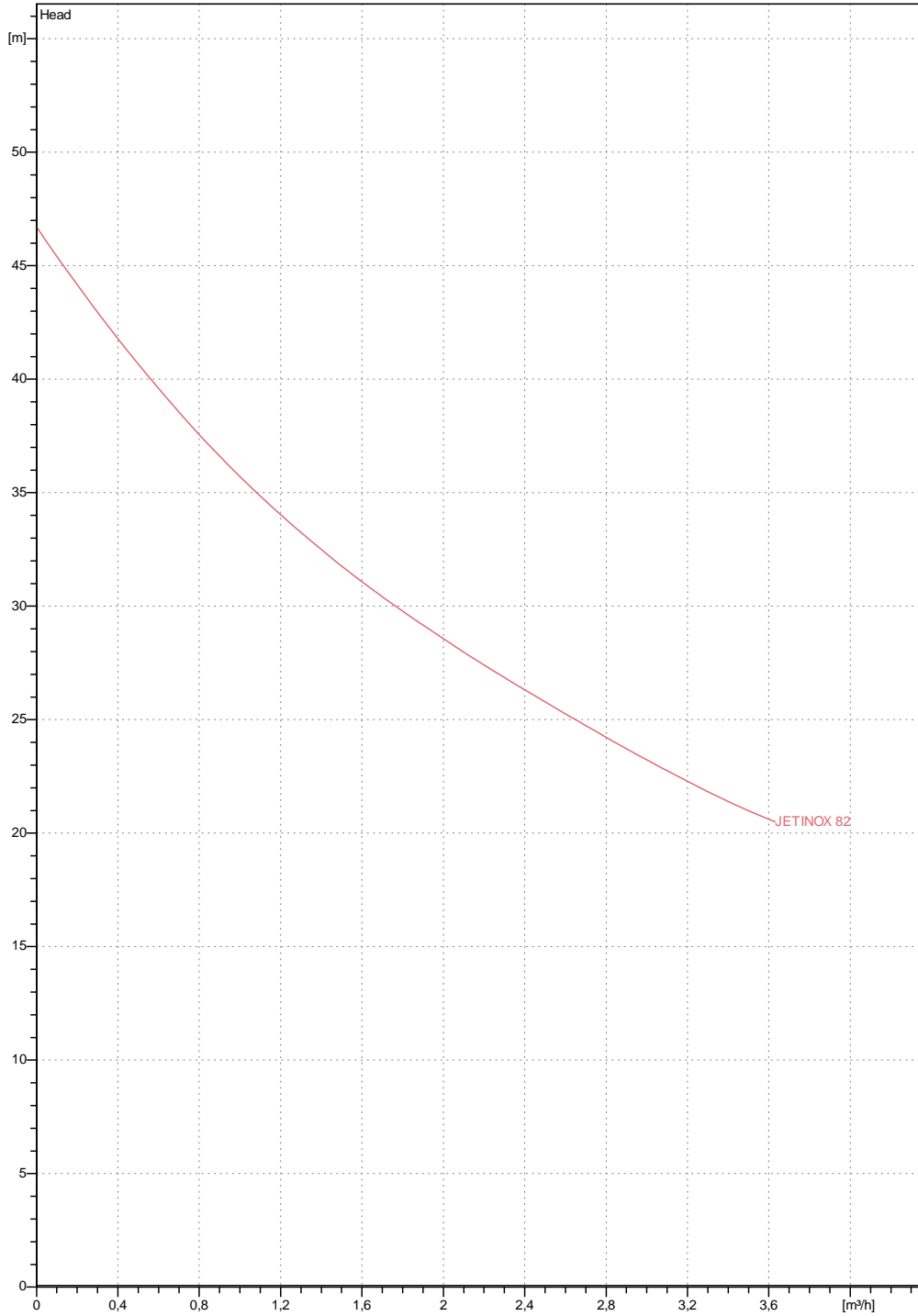
Society
Reference
Address
Phone
Fax
E-mail

Receiver

From

JETINOX 82 M

Curve tolerance according to ISO 9906



Hydraulic data (duty point)

Suction side : 1 " G 8 bar (800 kPa)	Discharge side : 1 " G 8 bar (800 kPa)	Flow : 0 m³/h	Head : 0 m	Rated speed : 2750 1/min
--	--	------------------	---------------	-----------------------------

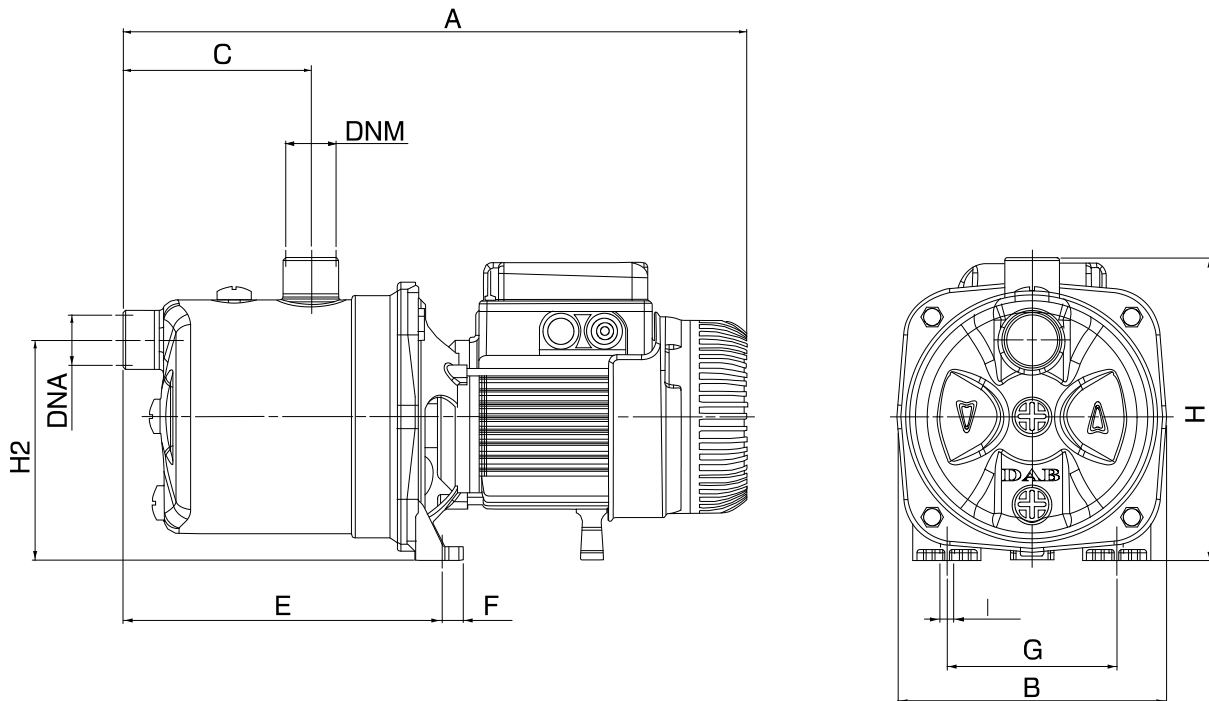
Project	Project ID	Created by	Created on 2017-02-07
---------	------------	------------	---------------------------------

Receiver

From

Society
 Reference
 Address
 Phone
 Fax
 E-mail

JETINOX 82 M


Dimensions in mm

1	A	406	IO	9		
2	B	174				
3	C	122				
4	DNA	1"G				
5	DNM	1"G				
6	E	207				
7	F	14				
8	G	111				
9	H	197				
10	H2	144				

Pump connection

Suction
 1 " G
 8 bar (800 kPa)

Discharge
 1 " G
 8 bar (800 kPa)

Project

Project ID

Created by

Created on

2017-02-07