

**RPM 600**

**MECHANICAL CHARACTERISTICS**

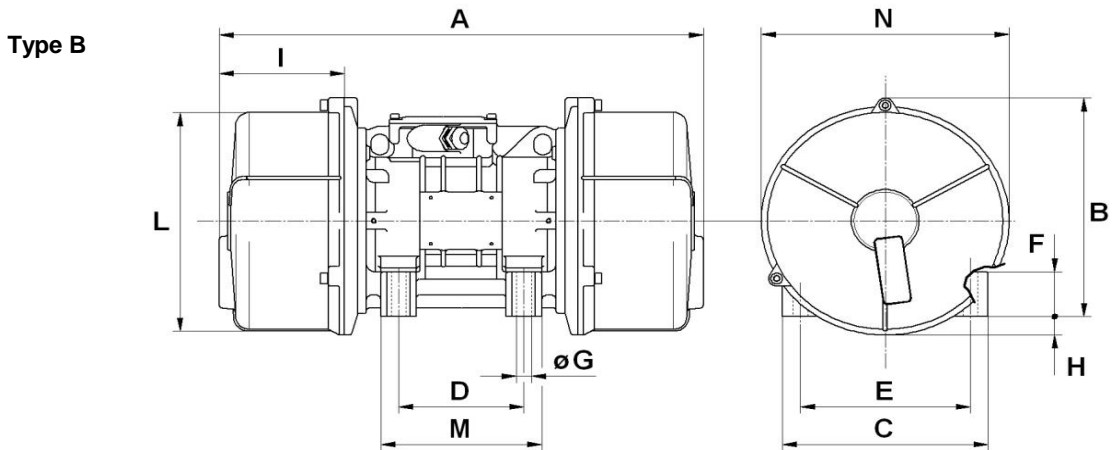
Weights Position	Static moment		Centrifugal Force			Bearing Life w/1.3 Load Factor	Bearing Life w/1.0 Load Factor
	%	kgmm	in.-lb	kg	lb		
100	1664	144,7	671	1476	6,58	>100000	>100000

The vibrator is assembled with 2 eccentric weights each side. On one side the external (fixed) weight is equipped with a permanent magnet, the corresponding weight cover has the magnet too. The centrifugal force is adjustable by rotating the internal eccentric weights.

Weight:	143 lb (65 kg)	Bearing:	6308.2Z.C3
Working Moment:	289 in-lb (3328 kgmm)	Dynamic load:	9489 lb (4313kg)
Max Static Moment:	145 in-lb (1664 kgmm)	Lube schedule:	Lubricated for life

**ELECTRICAL CHARACTERISTICS**

			in-lb	Nm
Nominal input voltage:	265	460	26,76	3,0
Nominal current (amps):	1,59	0,92	52,63	5,9
Start current (amps):	2,72	1,57	64,22	7,2
Start/Nom. current ratio:	1,71		1,97	
Input power (watts):	400		2,40	
Output power (hp):	0,24		3,77	
Service Factor:	1,0		continuous	
Efficiency:	44%		40°C (104 F)	
Slip:	10%		Inertia kgm <sup>2</sup> (lb-ft <sup>2</sup> ): 0,95000   26,3435	
Power factor:	0,55		Inverter Duty: 20Hz to 60Hz	
Coil resist (Ω @ 20°C):	TBD		Operating Temp. Code: N/A	
Insulation class:	F		Capacitance (μF): N/A	
Locked Rotor Code:	F			



	in.	mm
A:	21,30	541
B:	10,43	265
C:	9,06	230
D:	5,51	140
E:	7,48	190
ØG:	0,67	17
F:	2,13	54
H:	0,89	22,6
I:	5,51	140
L:	10,35	263
M:	7,48	190
N:	10,91	277

External cable diam.:	9-16mm
	0,354-0,630 inch
Serv. length req.per side:	140 mm (5,51 inch.)
Mounting bolts:	M16 - (5/8")
Mounting bolt torque:	19kgm (137 ft-lb)