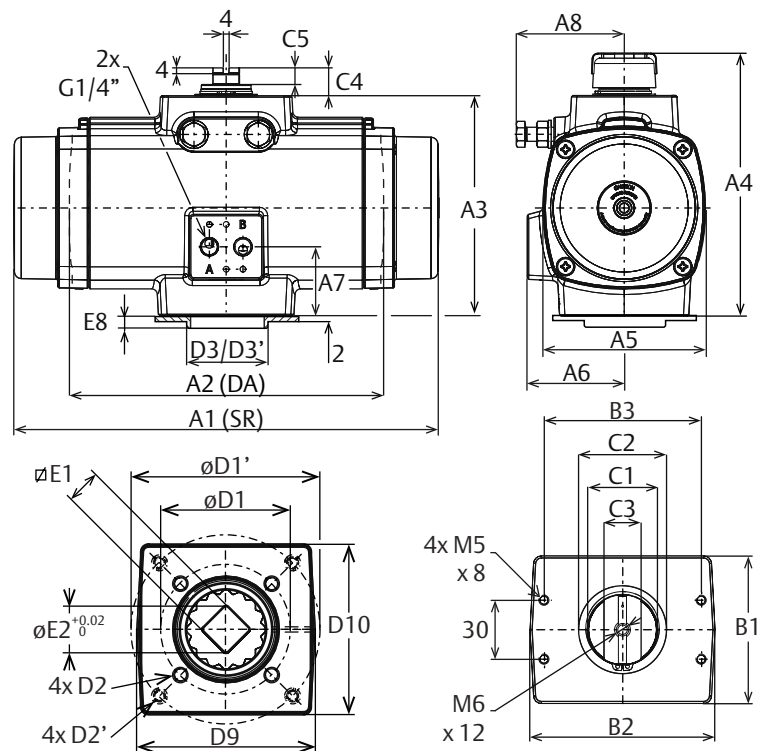


Data sheet F 25

Metric - DIN3337



Dim. in mm		Size 25							
A1	A2	A3	A4	A5	A6	A7	A8	E1 Max.	
166	166	91	119	68	49	30	48	11.08	
B1	B2	B3	C1	C2	C3	C4	C5	E1 Min.	
43	94	80	16	23	14	20	12	11.00	
D1	D2	D3	D1'	D2'	D3'	D9	D10	E2	
50	M6x10	35	36	M5x8	-	50	48	14.10	

1. Optional F03 drilling pattern without center plate (no optional center plate available for size 25)

Torque Output																				
Spring Return		Air Stroke Torque (Nm)																		
Spring set	Spring Stroke Torque		3.0 barg		3.5 barg		4.0 barg		4.5 barg		5.0 barg		5.5 barg		6.0 barg		7.0 barg		8.0 barg	
	Start	End	Start	End	Start	End	Start	End	Start	End	Start	End	Start	End	Start	Start	Start	End	Start	End
10	4	2	12	10	14	13	17	15	19	17	21	20	24	22	26	25	31	29	36	34
20	7	4	9	6	12	9	14	11	16	13	19	16	21	18	24	21	28	25	33	30
30	11	7	7	2	9	4	11	7	14	9	16	12	19	14	21	17	26	21	31	26
40	14	9	-	-	-	-	9	3	11	5	14	8	16	10	18	12	23	17	28	22
50	18	11	-	-	-	-	-	-	9	1	11	4	14	6	16	8	21	13	26	18
60	21	13	-	-	-	-	-	-	-	-	-	-	11	2	13	4	18	9	23	14
Double acting			13		16		18		20		23		25		27		32		36	

Notes:

- Volume is the actual free air volume at 1 atm
- Flange and square drive to ISO 5211
- Solenoid mounting interface according to VDI/VDE 3845 (NAMUR)
- For further information regarding options, materials, certifications and additional execution please contact your regional sales office

European Directives:

- PED : suitable for use with group 2 gases according to Pressure Equipment Directive 97/23/EC
- ATEX : suitable for use in hazardous areas classified II 2 GD, zones 1 or 2 (gases) and 21 or 22 (dust)
- For the configuration code please consult EFG.02.01.EN

Principle		
Pneumatic rack & pinion actuator		
General data		
Bore	56 mm	
Stroke	15.7 mm	
Weight	SR	1.7 kg
	DA	1.3 kg
Volume	Port A	0.14 L
	Port B	0.20 L
Air connection	2x G1/4" (BSP)	
Pressure range	MOP	8.3 barg
	SR	3 - 8.3 barg
	DA	0.2 - 8.3 barg
Pressure media	Clean, dry or lubricated air or inert gas.	
Cycle speed DA ⁽²⁾	Open	0.5 Sec.
	Close	0.4 Sec.
Cycle speed SR ⁽²⁾	Open	0.5 Sec.
	Close	0.4 Sec.
Temperature range	-20°C to +80°C	
Lubrication	Lubricated for life ⁽¹⁾	
Rotation	90°	
Over / Undertravel	+5° / -5° at each end	
Finish	Polyurethan powder coat	

- According EN 15714-3.
- Test conditions:
Solenoid with flow capacity: 0.6 m³/hr; Pipe diameter: 6mm; Medium: clean air, Supply pressure: 5.5 barg ~ 80psig; Load: with average load; Stroke: 90°; Temperature: Room temperature
- Dimensions D1, D2 und D3 are standard. Dimensions D1', D2' und D3' are optional.