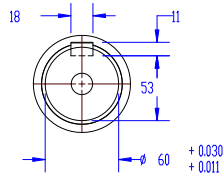
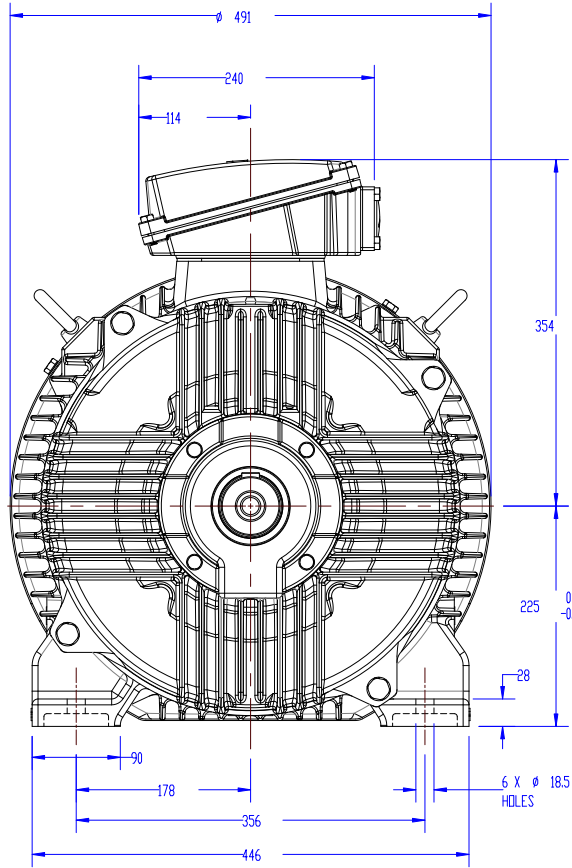
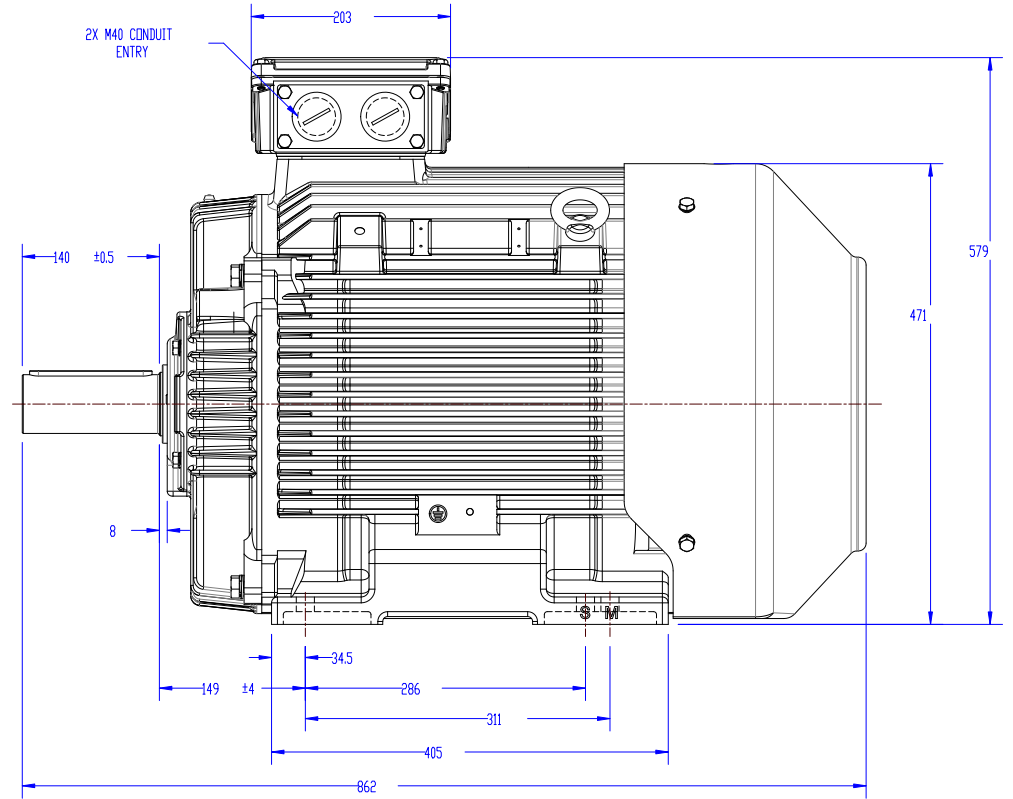


# OUTLINE



2X M40 CONDUIT ENTRY



DRAWING REVISION	REVISION BY	DATE		DRAWN BY	SDV	<b>marathon</b> Motors				
ECD	APPROVED BY	DATE		DATE	18/07/2014					
ECC DESCRIPTION				APPROVED BY	SBD	DESCRIPTION	OUTLINE			
<small>                     COPYRIGHT REGAL BELLET AMERICA, INC. ALL RIGHTS RESERVED.                      PROPRIETARY AND CONFIDENTIAL INFORMATION - THIS DOCUMENT IS THE PROPERTY OF                      REGAL BELLET AMERICA, INC. (RBA) AND CONTAINS OWNER'S PROPRIETARY                      INFORMATION. ANY PERSON, CORPORATION OR OTHER FIRM RECEIVING IT IS BANNED                      BY RECEIVING IT, TO REPRODUCE, TO MAKE THAT IT, AND/OR ANY PART OF IT, SHALL NOT BE DISCLOSED                      TO ANY PERSON, CORPORATION OR OTHER ENTITY, UNLESS SUCH INDIVIDUAL OR ENTITY                      HAS EXPRESSLY APPROVED IN WRITING IN ADVANCE BY OWNER. THIS DOCUMENT SHALL                      BE RETURNED TO OWNER UPON REQUEST. IT MAY BE SUBJECT TO CERTAIN                      RESTRICTIONS UNDER APPLICABLE EXPORT CONTROL LAWS AND REGULATIONS.                 </small>			DATE	18/07/2014	225FR-B3 MTG MOTOR TYPE: TCA					
			REFERENCE		MATERIAL		PROCESS/FINISH			
			THIRD ANGLE PROJECTION		SIZE	B	DRAWING NUMBER	0222500462	SHEET	1 OF 1