

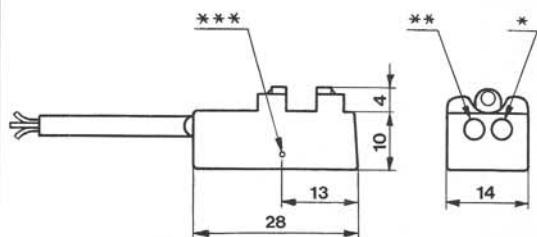
Sensor with Accessories

Series 322-20, -21, -23, -24 and -25

MANNESMANN REXROTH

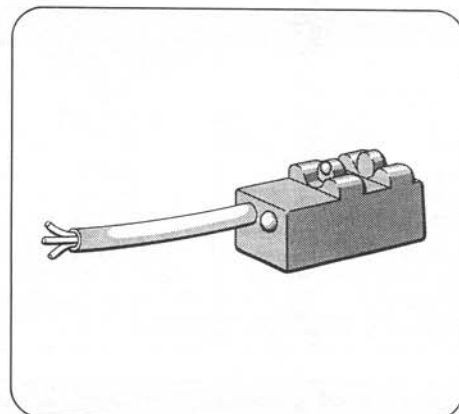
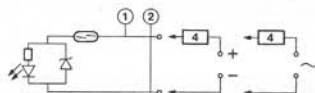
Rexroth Mecman Pneumatics

Sensor with encapsulated cable, 322-23



*LED
**Cable
***Sensing point

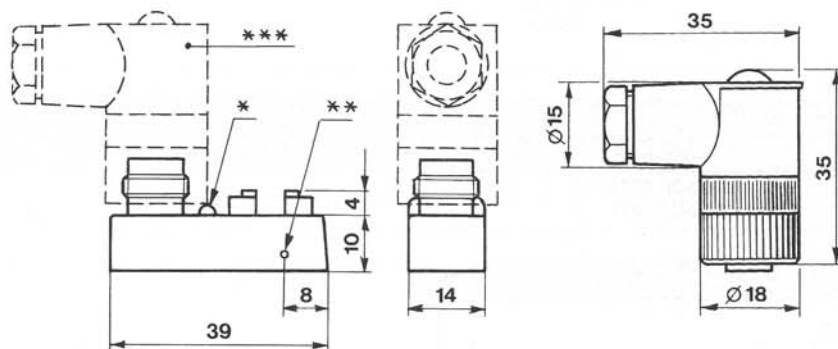
1. Brown
2. Blue
4. Load



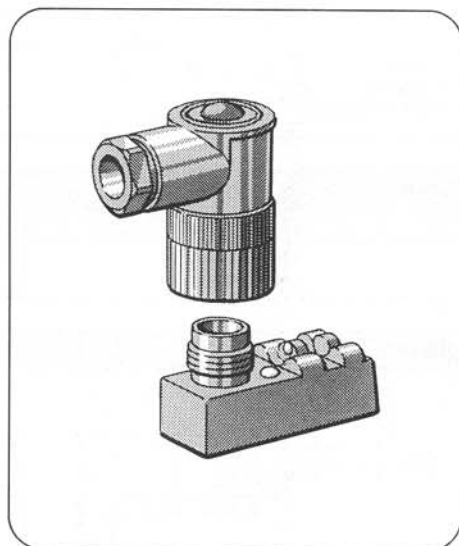
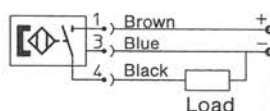
Code no.

Type	Code no.	Cable length, m
Reed	322-23 0311	5

Sensor 322-25 plus socket



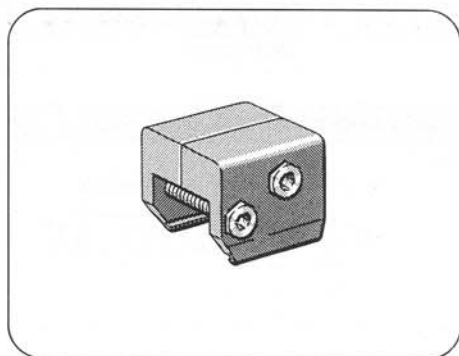
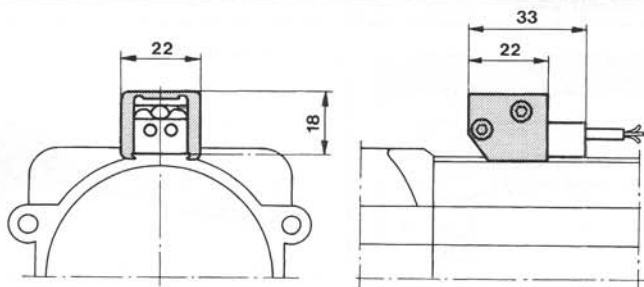
*LED
**Sensing point
***Connector



Code no.

Sensor	Code no.	Cable dia.
Connector M 12 x 1	440-723-001	4-6 mm

Sensor mounting for Euromec, Shuttle cylinders 170 16, 25 and 32 mm dia.



Code no.

For cylinder	Piston dia.	Code no.
Euromec Shuttle cylinder 170	25-100 16-32	322-20 0168

Materials: Mounting, anodized aluminium. Screw, acid-proof steel (BS 316 S 31).