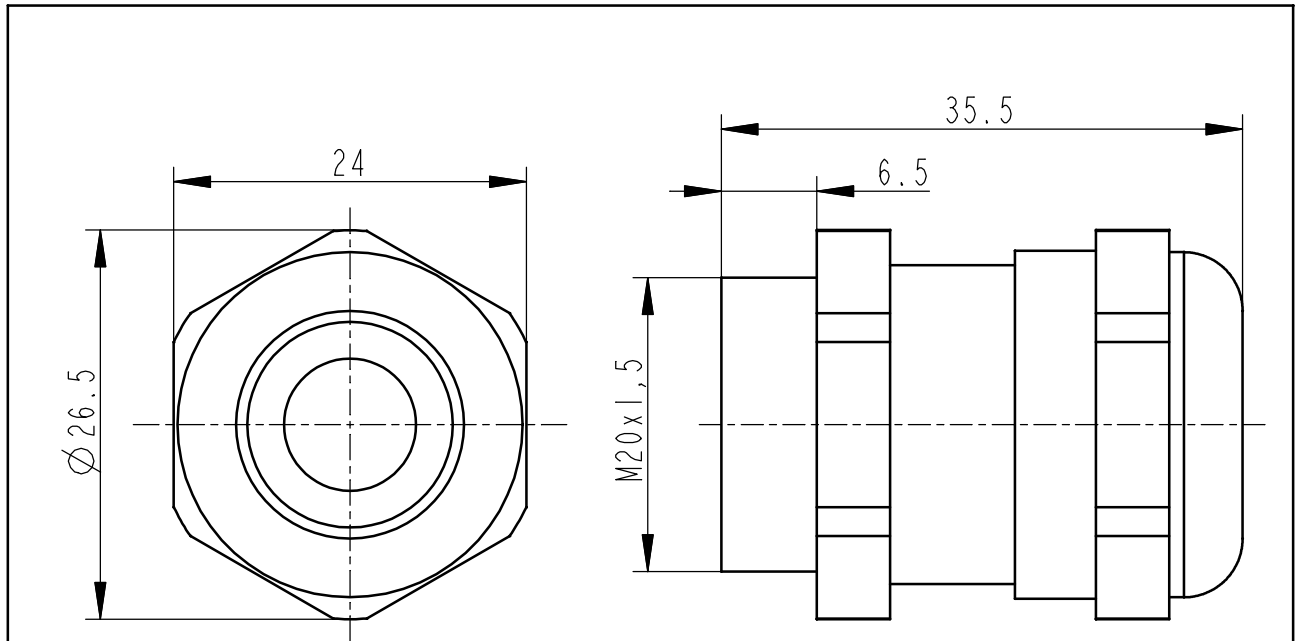


©Tetra Pak. All rights reserved; any copying, transmittal or disclosure subject to Tetra Pak's written approval.

100 mm
90
80
70
60
50
40
30
20
10
0



DATA

M20x1,5
IP68 up to 15 bar
Cable Diameter: 5,0-14,0 mm.
-40°C to +130°C.

Material:
Stainless Steel 1.4305
Insert: TPE, blue
O-Ring: Rubber NBR

DESIGNATION

bg220 va
N 942 05 12

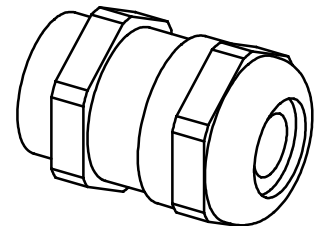
MANUFACTURER

PFLITSCH

REINTRODUCED

DATA UPDATED

2 THIS PAGE
2 TOTAL



Release Level	Released		ECM No	566212	PDM Version	3.3	Model	3.2
Method/Size	Marked according to standard B 2103.10	NO /-	Unless otherwise stated	Surface Roughness				
			SHARP EDGES BROKEN					
Material			Scale	2:1				
Version Designer	ALER	Version Date	2012-06-25					
Information Security Class	Tetra Pak Internal		Denomination					
Hygienic Demands	No	Critical Part	No					
			Drawing No	90459-7562		Document Type	R3 Version	Page
					DRA	AC	1(1)	

CABLE GLAND
KABELFÖRSKRUVNING