

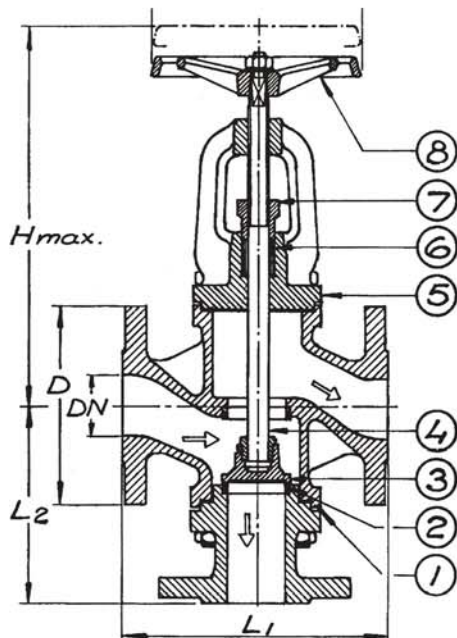


CHANGE OVER VALVE

402252

PN 16

| No | Part | Material |
|----|--------------|----------------|
| 1 | Body | Cast iron GG25 |
| 2 | Seat ring | Bronze Rg5 |
| 3 | Disc | Bronze Rg5 |
| 4 | Stem | Bronze Cu Sn 8 |
| 5 | Bonnet | Cast iron GG25 |
| 6 | Glandpacking | Graphite |
| 7 | Gland | Cast iron GG25 |
| 8 | Handwheel | Cast iron |
| 9 | | |
| 10 | | |



Variants:
Stainless steel-trim

Other dimensions/materials on request

| DN | D | n | Hcd | d | L1 | L1 | Max working-pressure | | Weight Kg |
|-----|-----|---|-----|----|-----|-----|----------------------|------------|-----------|
| | | | | | | | Mpa 120 °C | Mpa 200 °C | |
| 20 | 105 | 4 | 75 | 14 | 150 | 120 | 1,6 | 1,3 | 7,5 |
| 25 | 115 | 4 | 85 | 14 | 160 | 140 | 1,6 | 1,3 | 10,9 |
| 32 | 140 | 4 | 100 | 18 | 180 | 140 | 1,6 | 1,3 | 13,0 |
| 40 | 150 | 4 | 110 | 18 | 200 | 165 | 1,6 | 1,3 | 18,5 |
| 50 | 165 | 4 | 125 | 18 | 230 | 165 | 1,6 | 1,3 | 21,0 |
| 65 | 185 | 4 | 145 | 18 | 290 | 180 | 1,6 | 1,3 | 32,0 |
| 80 | 200 | 8 | 160 | 18 | 310 | 195 | 1,6 | 1,3 | 43,0 |
| 100 | 220 | 8 | 180 | 18 | 350 | 225 | 1,6 | 1,3 | 58,0 |
| 125 | 250 | 8 | 210 | 18 | 400 | 260 | 1,6 | 1,3 | 85,0 |
| 150 | 285 | 8 | 240 | 22 | 480 | 300 | 1,6 | 1,3 | 125,0 |
| | | | | | | | | | |
| | | | | | | | | | |
| | | | | | | | | | |
| | | | | | | | | | |