

Svenska

1102 433

2011 08 26

# RESERVDELAR SPARE PARTS

# GV 3 K

Pos	Detalj nr	Ant	Benämning	Description	Sats	Anm
Fig	Part no	Qty			Kit	Notes
	<b>5002 327</b>		<b>GV 3 K, komplett</b>	<b>GV 3 K, complete</b>		
1	5002 308R	1	Stator övre	Stator upper		Incl. pos 2
2	5001 381	1	Propp	Plug		
3	5002 316	5	Vinge	Vane		
4	5016 202	10	Fjäder	Spring		
5	5002 334	1	Rotor	Rotor shaft		Incl. pos 5a
5a	1001 114	1	Propp	Plug		
6	1013 580	2	Pinne	Pin		
7	5002 310R	1	Statorring	Stator frame		
8	5002 309R	1	Stator nedre	Stator plate, lower		
9	1017 110	8	Skruv	Screw		
<b>10</b>	<b>5002 348</b>	<b>1</b>	<b>Axiallagersats</b>	<b>Axial bearing kit</b>		
<b>11</b>	<b>5002 346</b>	<b>1</b>	<b>Shims, sats</b>	<b>Shim, set</b>		
	1018 043	1	Shims	Shim		0,100 mm
	1018 050	1	Shims	Shim		0,125 mm
	1018 068	1	Shims	Shim		0,150 mm
	1018 076	1	Shims	Shim		0,178 mm
12	5002 304R	1	Slangskydd	Hoseguard		
13	1017 037	2	Bricka	Washer		
14	1013 994	2	Skruv	Screw		
15	1001 825	1	Smörjnippel	Grease nipple		
16	5002 252R	1	Fästplatta K	Lower link K		
17	1019 488	1	Skruv	Screw		
18	1019 496	1	Bricka	Washer		
19	1019 512	1	Skruv	Screw		
<b>20</b>	<b>5002 349</b>	<b>1</b>	<b>Tätningssats</b>	<b>Seal kit</b>		
21	5002388R	2	Adapter distans	Adapter radial		
22	1019116	2	Tätn Gummistålbricka	Bonded seal		
23	5001 382	2	Propp	Plug		

Svenska

1102 433

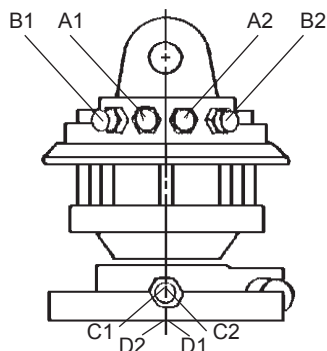
2011 08 26

A1 Rotator, höger  
A2 Rotator, vänster

B1 Grip, öppna  
B2 Grip, stäng

C1 Grip öppna, radiellt  
C2 Grip stäng, radiellt

D1 Grip öppna, axiellt  
D2 Grip stäng axiellt



A1 Rotator, right  
A2 Rotator, left

B1 Grapple, open  
B2 Grapple, close

C1 Grapple open, radial  
C2 Grapple close, radial

D1 Grapple open, axial  
D2 Grapple close, axial

Pos Fig	Detalj nr Part no	Ant Qty	Benämning	Description
	<b>5002 294</b>		<b>Adaptersats GV G3/8</b>	<b>Adapter set GV G3/8</b>
A1, A2	5001 253	2	Adapter G3/8 x G3/8, Ø 2,0	Adapter G3/8 x G3/8, Ø 2,0
B1, B2	5001 011	2	Adapter G3/8 x G3/8	Adapter G3/8 x G3/8
C1, C2	5001 011	2	Adapter G3/8 x G3/8	Adapter G3/8 x G3/8
A, B, C	1005 347	6	Tätning gummistålbricka G3/8	Bonded seal G3/8
	<b>5002 295</b>		<b>Adaptersats GV M18</b>	<b>Adapter set GV M18</b>
A1, A2	5002 285	2	Adapter G3/8xM18x1,5 Ø2,0	Adapter G3/8xM18x1,5 Ø2,0
B1, B2	5002 260	2	Adapter G3/8xM18x1,5 UxU	Adapter G3/8xM18x1,5 UxU
C1, C2	5002 260	2	Adapter G3/8xM18x1,5 UxU	Adapter G3/8xM18x1,5 UxU
A, B, C	1005 347	6	Tätning gummistålbricka G3/8	Bonded seal G3/8
	<b>5002 296</b>		<b>Adaptersats UNF 3/4</b>	<b>Adaper set UNF 3/4</b>
A1, A2	5001 396	2	Adapter G3/8xUNF3/4 Ø2,0	Adapter G3/8xUNF3/4 Ø2,0
B1, B2	5001 371	2	Adapter G3/8xUNF3/4	Adapter G3/8xUNF3/4
C1, C2	5001 371	2	Adapter G3/8xUNF3/4	Adapter G3/8xUNF3/4
A, B, C	1005 347	6	Tätning gummistålbricka G3/8	Bonded seal G3/8
	<b>5002 274</b>		<b>Adaptersats GV UNF 9/16</b>	<b>Adaper set GV UNF 9/16</b>
A1, A2	5001 139	2	Adapter G3/8xUNF9/16 Ø2,0	Adapter G3/8xUNF9/16 Ø2,0
B1, B2	5001 128	2	Adapter G3/8xUNF9/16	Adapter G3/8xUNF9/16
C1, C2	5001 128	2	Adapter G3/8xUNF9/16	Adapter G3/8xUNF9/16
A, B, C	1005 347	6	Tätning gummistålbricka G3/8	Bonded seal G3/8