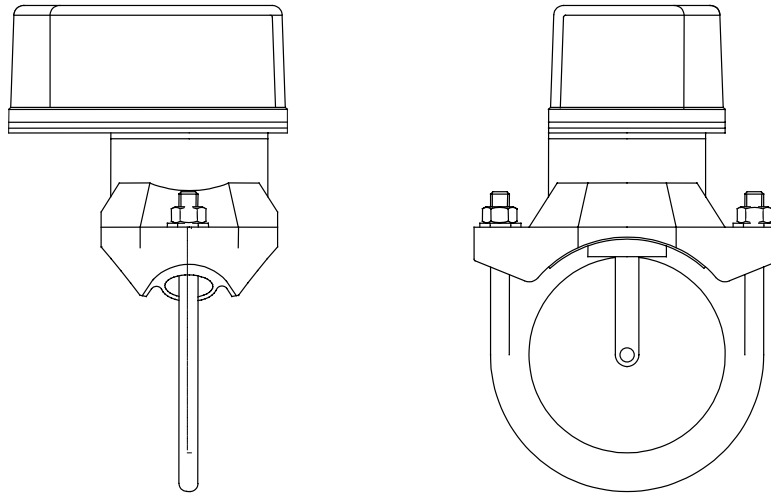


GW VSR – F WATERFLOW SWITCH

VANE TYPE WITH ADJUSTABLE RETARD



Nominal Pipe Size Range:	50mm (2"), 65mm (2½"), 80mm (3"), 100mm (4"), 125mm (5"), 150mm (6") & 200mm (8")
Service Pressure:	Up to 30 Bar (450 PSI)
Minimum Flow Rate for Alarm:	50 L/min.
Maximum Surge:	60 M/sec.
Contact Ratings:	Two sets of Single Pole Double Throw (Form C) 15 Amps at 125/250 VAC 2 Amps at 30 VDC Resistive
Conduit Entrance:	Two knockouts provided for 15mm conduit
Retard range:	0 – 80 sec ± 10 sec
Approvals: *	FM , UL and LPC

Environmental Specifications:

- Suitable for indoor or outdoor use with factory installed gasket and die-cast housing.
- IP54 / NEMA4 Rated Enclosure - use with appropriate conduit fitting
- Temperature Range: 4.5°C / 49°C (40°F / 120°F).
- Non-corrosive sleeve factory installed in saddle

VSR-F Flow Switches are intended to detect the flow of water caused by the operation of a single sprinkler in a wet pipe sprinkler system.

The VSR-F Flow Switch is a vane type saddle mounted switch that can be fitted to existing steel pipework by trepanning a hole in the pipe, inserting the vane and clamping the switch body to the pipe using a "U" bolt.

To avoid false alarms due to surges VSR-F Flow Switches contain an adjustable retard mechanism that can be set to delay the closing of the electrical control by a minimum of 10 seconds up to a maximum of 90 seconds.

VSR-F Flow Switches are used to detect flow in sprinkler mains and provide an electrical signal to a control panel. In addition VSR-F Flow Switches are commonly placed to detect flow in individual zones to indicate where in a building a sprinkler has operated.

Models suitable for insertion into plastic or copper pipe, and for use in explosive atmospheres, are also available - refer to GW.

* For a full, and up to date, list of approvals refer to GW.

Note: Install as per installation data sheet

Caution: This product must not be used in dry pipe or alternate sprinkler systems
This model is not to be used in explosive environments

The right is reserved to vary or modify any specifications without prior notice.

GW SPRINKLER A/S
Kastanievej 15, DK 5620-Glamsbjerg, Denmark
Tel: +45 64722055 Fax: +45 64722255
email: sales.dep@gwsprinkler.com
data sheet also available at: www.gwsprinkler.com

Data Sheet: GW-Flowswitch VSR-F Water
Page: 1 of 1
Issue: 1 – September 2003
Ref no.: 140383