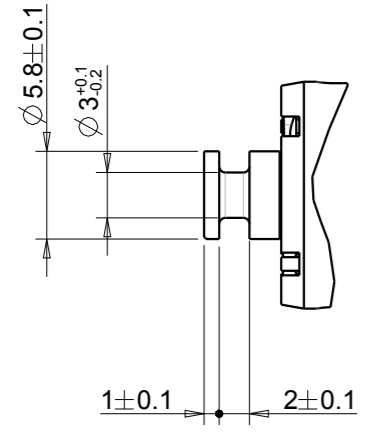
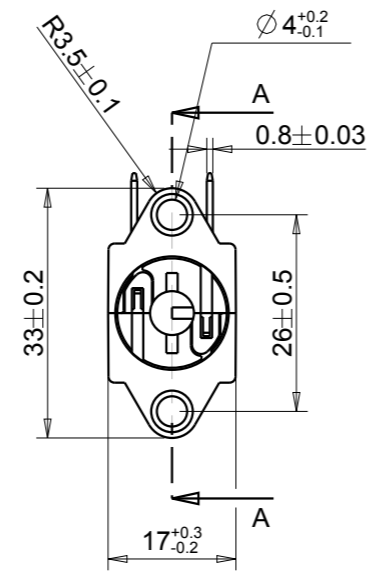
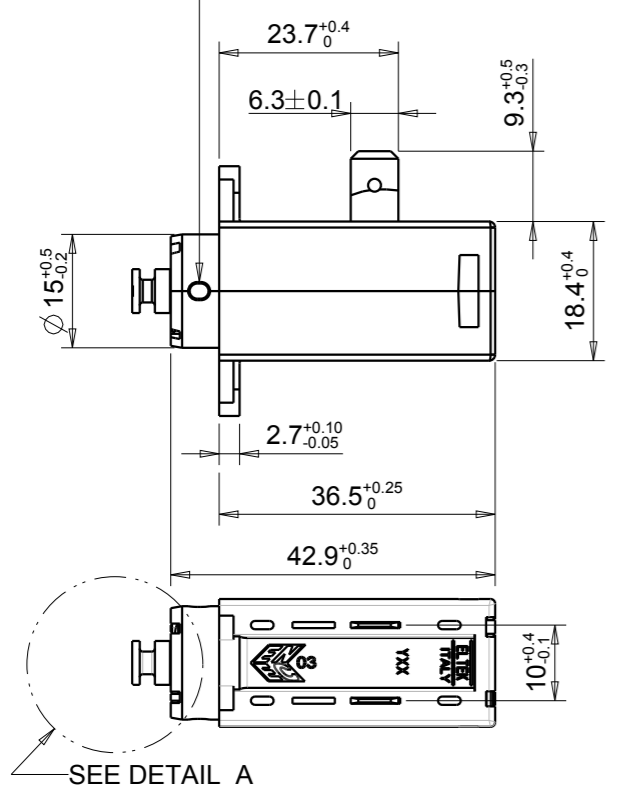


Il fornitore e' tenuto a richiedere le prescrizioni riguardanti la simbologia sulle dimensioni...
 The supplier is obliged to request the prescription regarding symbols on the dimensions...
 n. 83.0117.00. The symbol \diamond refers to modified area/dimensions.

Questo documento e le informazioni in esso contenute sono di proprieta' ELTEK SpA e devono considerarsi di natura riservata...
 This document and the information in it contained are property of ELTEK SpA and, as such, they are to be considered reserved. Therefore, any reproduction in any form or by any means, without prior written permission of ELTEK SpA, is forbidden.

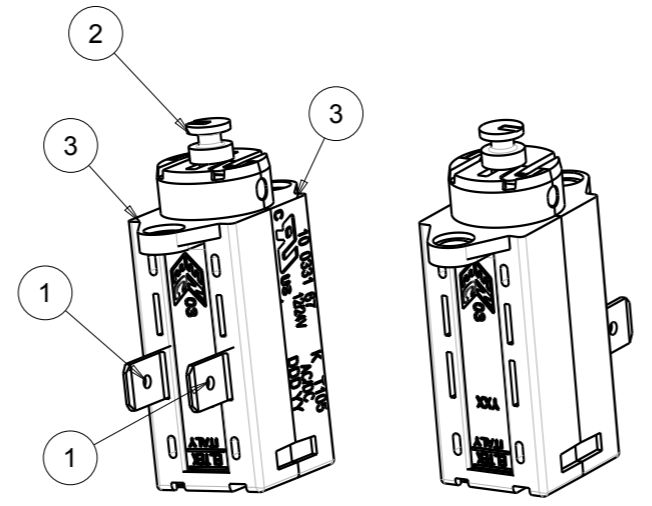
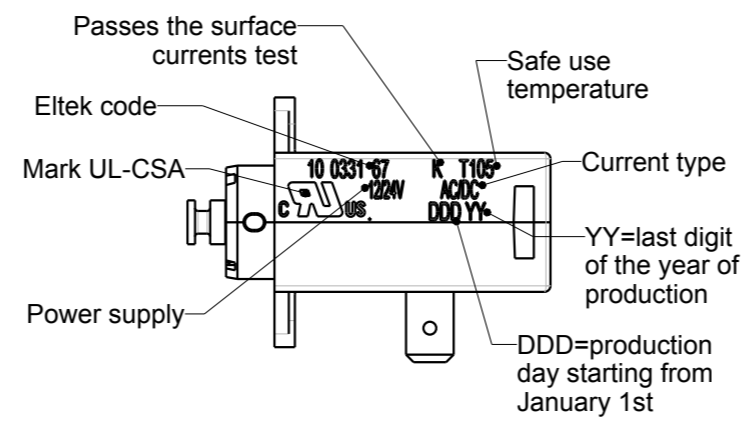
General tolerances	120+	180	± 0.27
	80+	120	± 0.23
	50+	80	± 0.19
	30+	50	± 0.16
	18+	30	± 0.13
	< 18		± 0.10
Angles			$\pm 2^\circ$



DETAIL A
SCALE 2:1

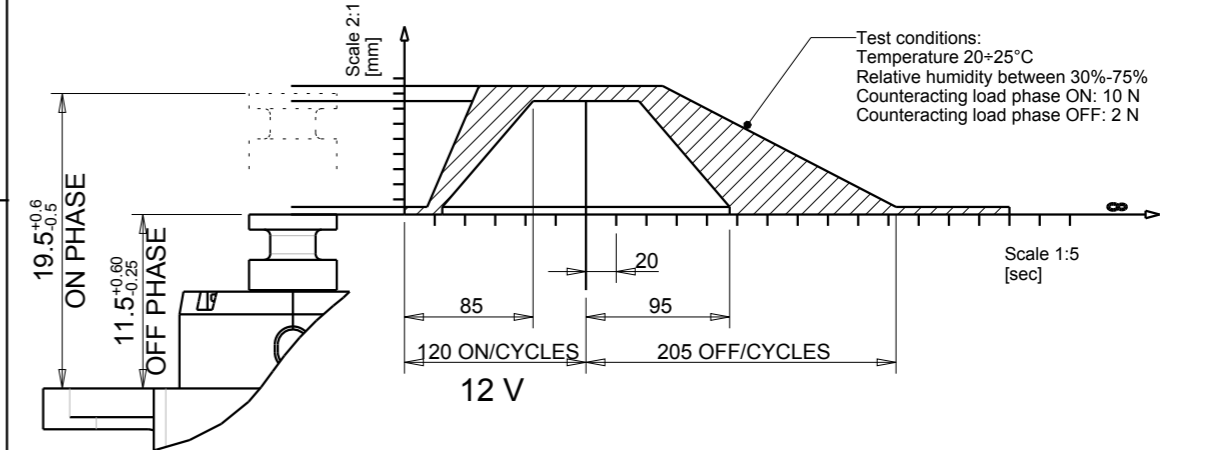
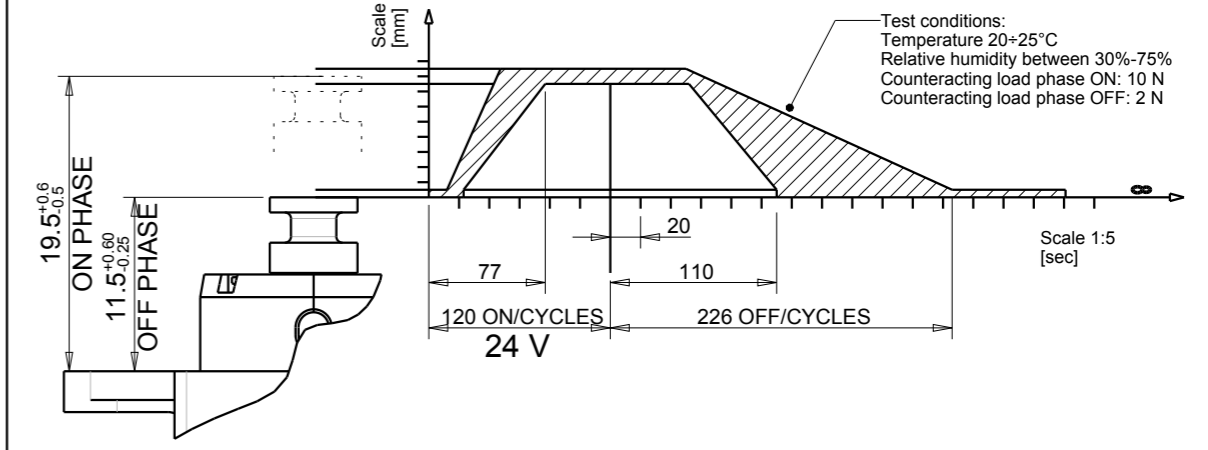
Electrical and mechanical features		
Pos.	Features	Value
1	Breakdown voltage (< 0.1 s)	40
2	Absorbed current (peak 12/24V)	2.8A/5.50A
3	Absorbed current (steady state 12/24V)	0.29A/0.15A
4	Do not energize for more than	12 hours
5	Do not stop plunger travel under	18.5 mm
6	Max applicable load during phase OFF	2 N

MARKING



N°	Description	Materiale	QTY	Colour
1	Faston	Bronze	2	Bronze
2	Plunger	PA 6.6+Glass fiber	1	Brown
3	Half housing	PA6.6+Glass fiber	2	Brown

STROKE / TIME DIAGRAM



Note:
 For technical data refer to the Technical Specification code 82.0331.00
 The thermoactuator has a grade of protection : IP00 (not protected, ref. IEC 60529).
 For more details refer to technical specification code 82.0331.00

All above p.n. are approved: File E113133
 N°500 thermoactuator in each box (390X290X180)
 The terminals dimensions are in conformity with the EN 61210 standard

				Drawn: SEGALINI
				Date: 22/10/19
				Checked: CHIAPPINO
				Date: 22/10/19
				Scale: 1:1
				Volume: [mm ³]
00	Adjusted: added stroke time diagramm, marking view and update dimensions, it is replace 100331C1	22/10/19	SEGALINI	Weight [g]: 19.5
Rev	Modification Description	Date	By	Weight [g]: 19.5
Drawing Size	First angle projection	Material		
A3		Replace 10.0331.C1.08		
 ELTEK S.p.A. - Casale Monf. ITALY				Code
				10.0331.67.00
Description				10.0331.67.00
Thermoactuator 8 mm stroke, short plunger , 12/24V				