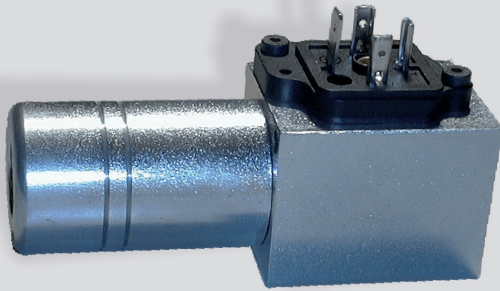


Voith Turbo

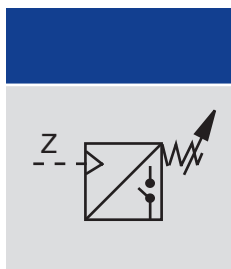
VOITH

Pressure Switch piston pressure switch, hydraulic-electric

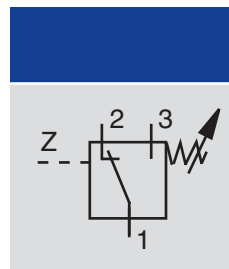


- hydraulic-electric pressure switch
- hydraulic piston damping
- small switching hysteresis
- various mounting positions
- adjustment by cap screw and cover
- 6 pressure ranges

Symbol



Electrical Connection



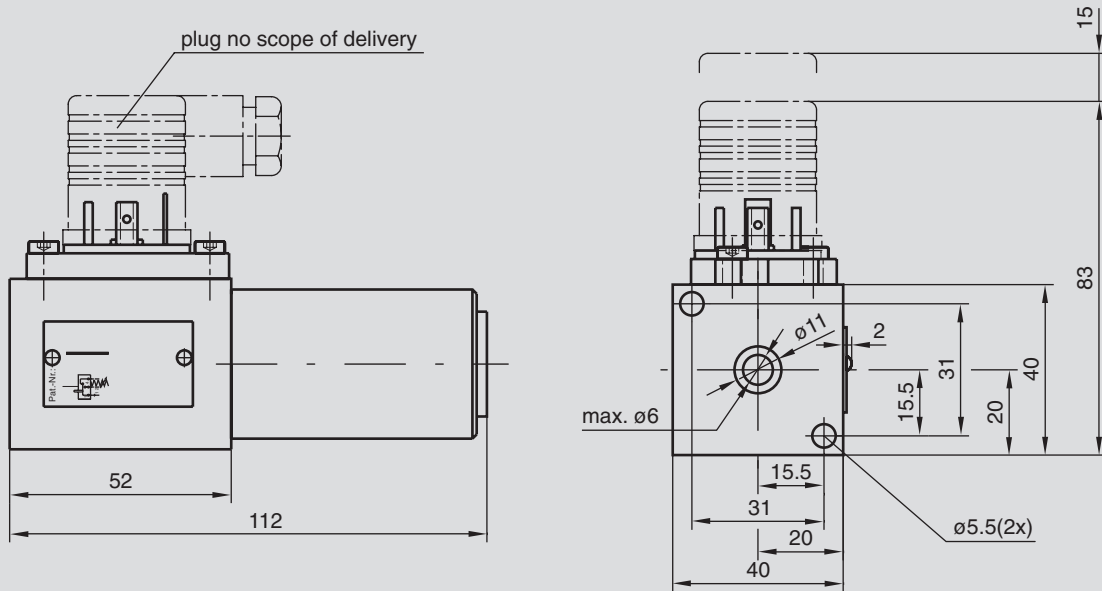
Plug type:
DIN 43650, type A

Technical Specifications

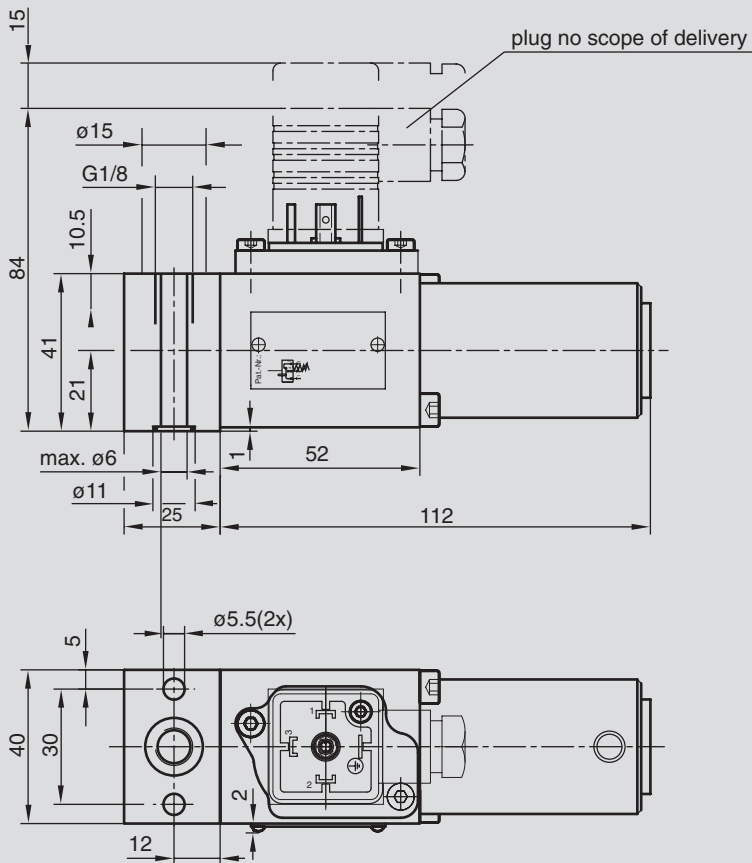
General		
Symbol		see diagram
Type of valve		piston switch
Connection		manifold mounting or pipe fitting G1/4
Mounting position		mountable in any position
Ambient temperature	°C	-5 to +50
Mass of device	kg	1
Hydraulic		
Operation pressure		
in port Z	bar	315
Pressure steps	bar	3-10, 4-40, 6-64, 10-100, 15-160, 25-250
Hydraulic oil temperature	°C	-10 to +70
Viscosity range	mm ² /s	10 to 300
Electric		
Current (max.)	A DC	1
Voltage (±10%)	V DC	24
Type of protection DIN 40050		IP65

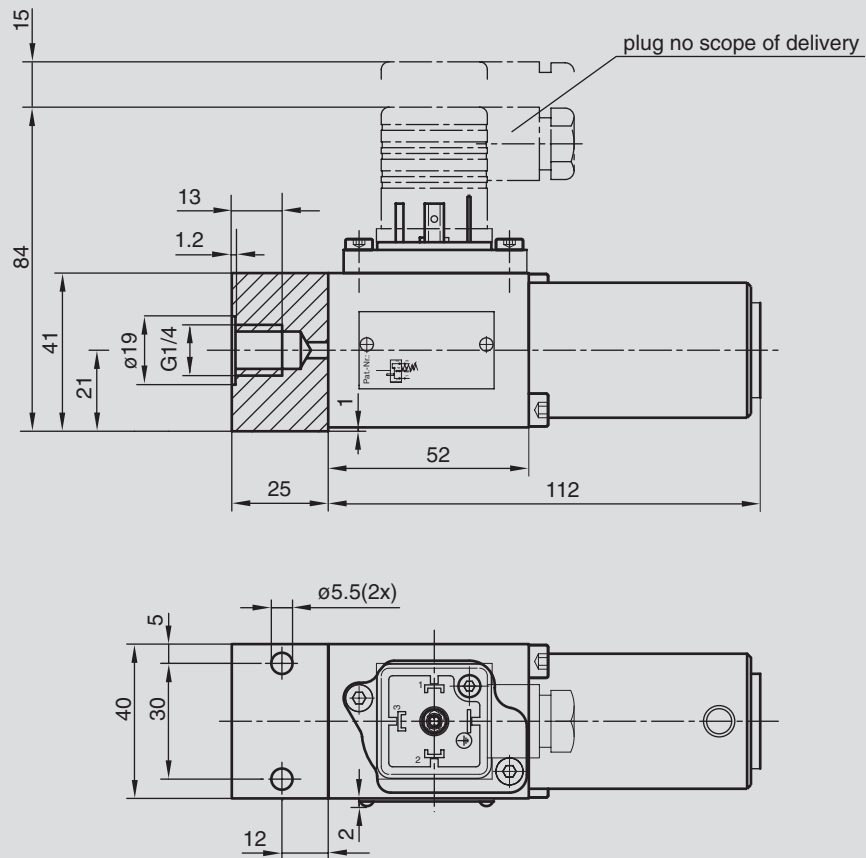
Dimensioned Drawings

Manifold mounting, vertical

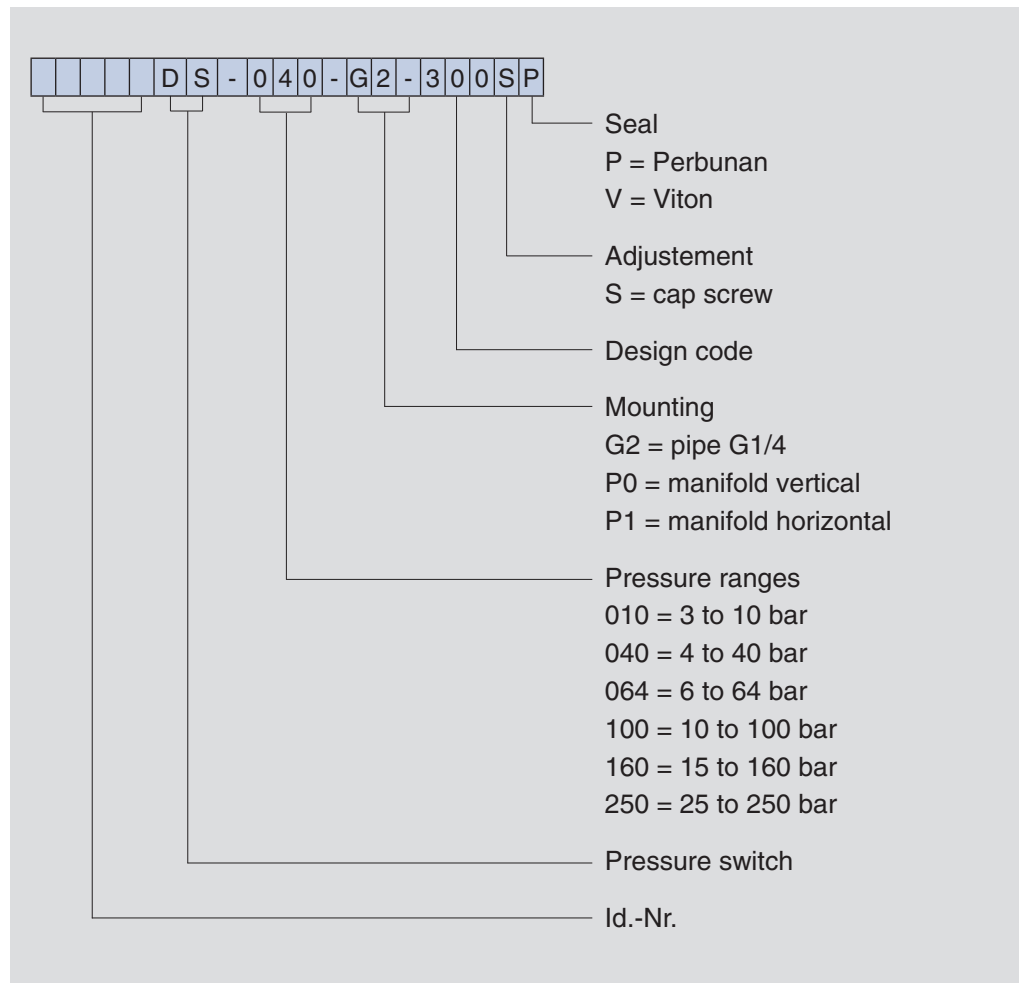


Manifold mounting, horizontal



Connection by pipe fitting G1/4

Type Code



Voith Turbo H + L Hydraulic GmbH & Co. KG
Schuckertstraße 15
71277 Rutesheim, Germany
Tel. +49 7152 992-3
Fax +49 7152 992-400
sales-rut@voith.com
www.voithturbo.com/hydraulic-systems

VOITH
Engineered reliability.